

Valet 62L Twin Side Mounted Slide Out Concealed Waste Bin - 450mm Cabinet

ELITE®

STORAGE SOLUTIONS

Contents List



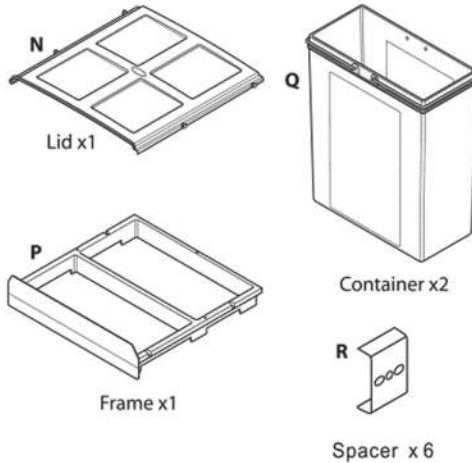
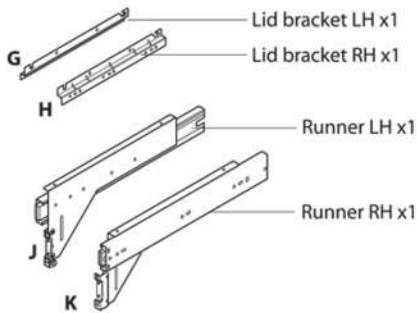
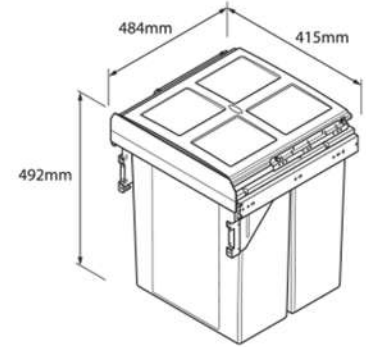
IMPORTANT - The unit has a maximum loading limit of 25kg including door. Bin to suit 450mm wide cabinet using 16-19mm thick carcass material. All fixings supplied must be used for installation.

- Parts**
- A** x12 4 x 16mm screw
 - B** x8 4 x 14mm screw
 - C** x4 Screw (M4 x 8mm)
 - D** x2 Screw (M6 x 16mm)
 - E** x6 Screw (M5x10mm)
 - F** x4 Screw (M5 x 6mm)
 - T** x4 Washer (5x18x2mm)

Tools required

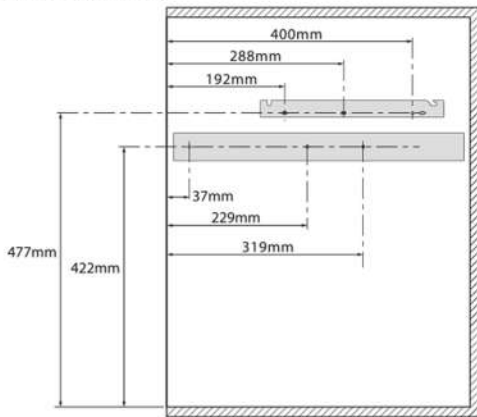


Dimensions - maximum

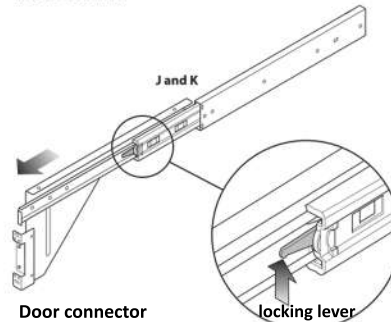


1. Spacer will be used if there is gap between board and slide.
2. Please ensure that all the above fittings are present before installation begins.

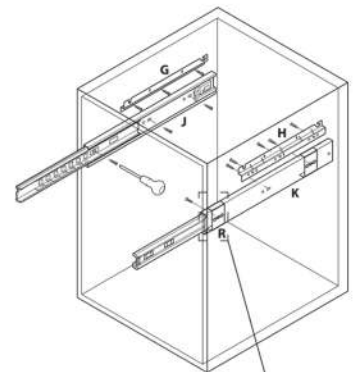
1 Mark screw positions for lid brackets and runners on both cabinet sides.



2 Lift the locking levers and remove the front part of each runner. Ensure shoulder of bracket faces outwards.

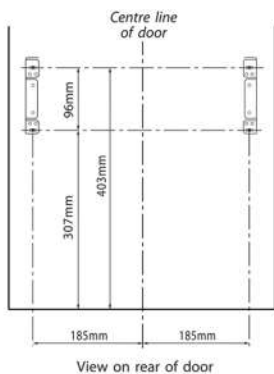


3 Fit the lid brackets and runners to cabinet sides using screws A



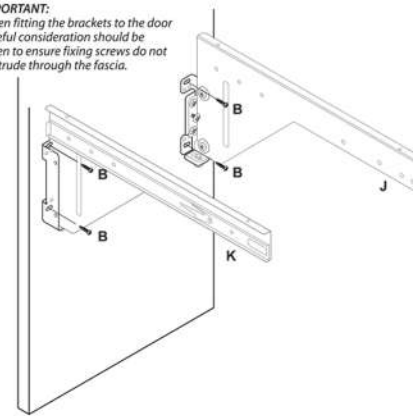
IMPORTANT: It is essential that runners are installed perfectly level, aligned, and parallel to operate properly. Failure to do this can stress the runners with use, and they may not operate correctly and eventually fail.

4 Fit the door brackets to the door.

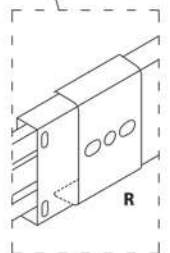


Calculate centre line of door and use above measurements to mark door bracket screw positions.

IMPORTANT: When fitting the brackets to the door careful consideration should be taken to ensure fixing screws do not protrude through the fascia.



Fit door brackets to door using screws B

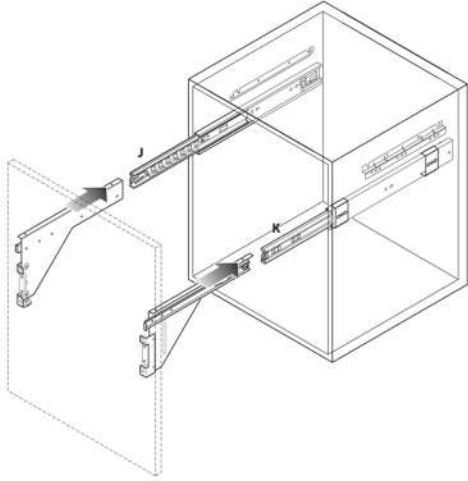


Valet 62L Twin Side Mounted Slide Out Concealed Waste Bin - 450mm Cabinet

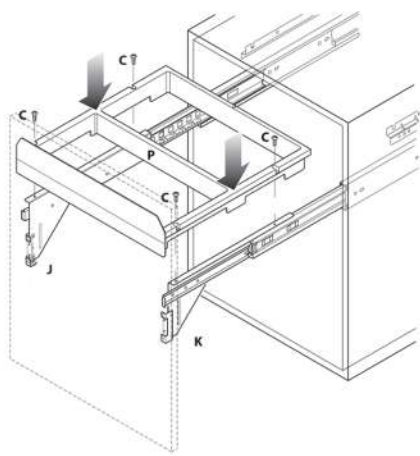
ELITE®

STORAGE SOLUTIONS

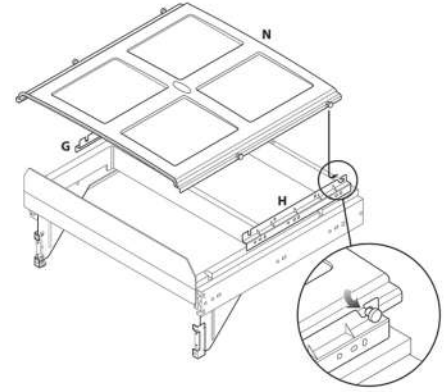
5 Assemble each runner until the locking levers are securely attached.



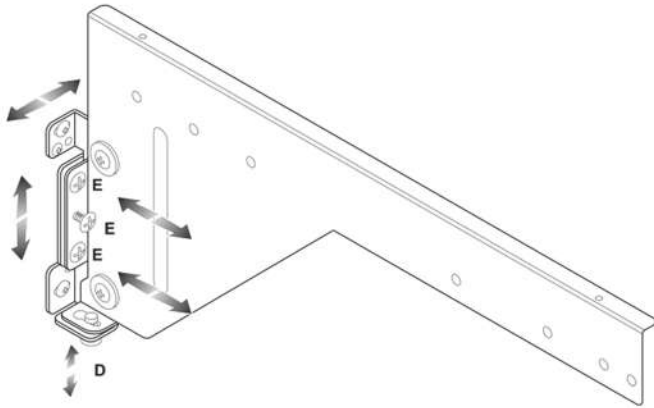
6 Fit the frame to the runners using screws C.



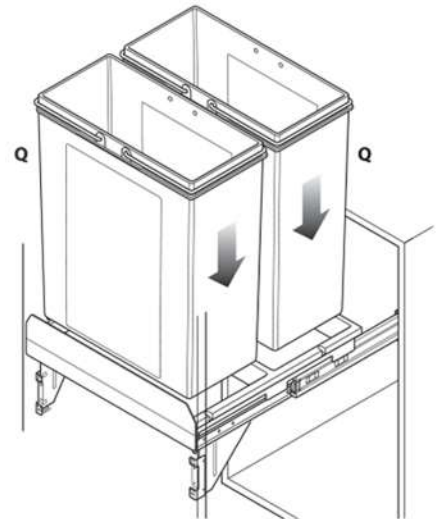
7 Fit the lid to the lid brackets.



8 Align the door to the cabinet using the adjustment screws.



9 Fit the containers.



IMPORTANT - The unit has a maximum loading limit of 25kg including door.