


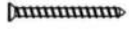








Domestique PLUS 56L Twin Slide Out Concealed Waste Bin - 400mm Cupboard - With or Without Integrated Door Mount

Contents List

	ITEM NAME	IMAGE	QUANTITY
1	Saddle brackets		4 pcs
2	PFO4x16		16 pcs
3	PFO4x25		6 pcs
4	KFO4.5x45		4 pcs
5	Plastic screws + M10 nut		4 pcs
6	Side stabiliser		4 pcs
FOR DOOR MOUNT (EL-400-2-4098-D)			
7	TF04x14		8 pcs
8	M6x16mm		2 pcs
9	M5x10mm		6 pcs
10	Door Connector (PRE-ATTACHED TO THE FRAME)		2 pcs

Models

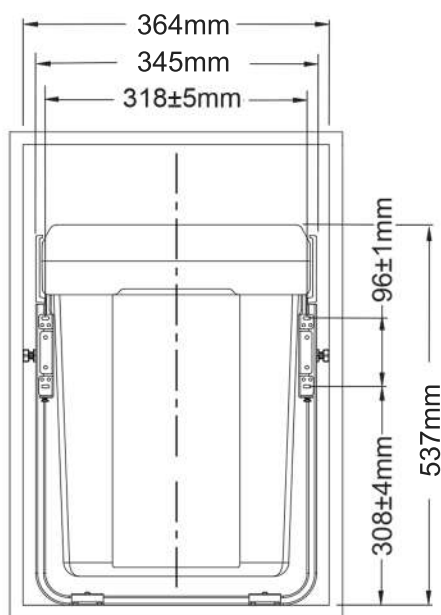
EL-400-2-4098

- Twin 56L pull-out — 2 x 28L
- Suits standard 400mm wide cabinet (external)
- Does not include integrated door mount
- 45kg weight limit

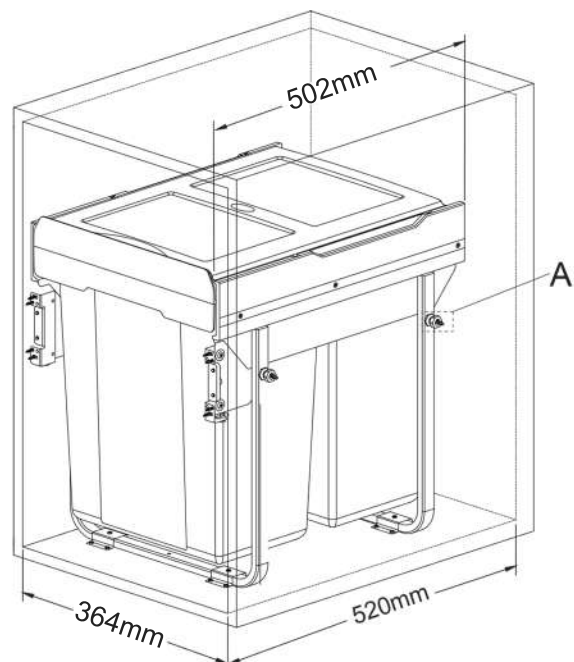
EL-400-2-4098-D

- Twin 56L pull-out — 2 x 28L
- Suits standard 400mm wide cabinet (external)
- Includes integrated door mount to attach frame to cabinet door
- 45kg weight limit

Dimensions



Unit Dimensions



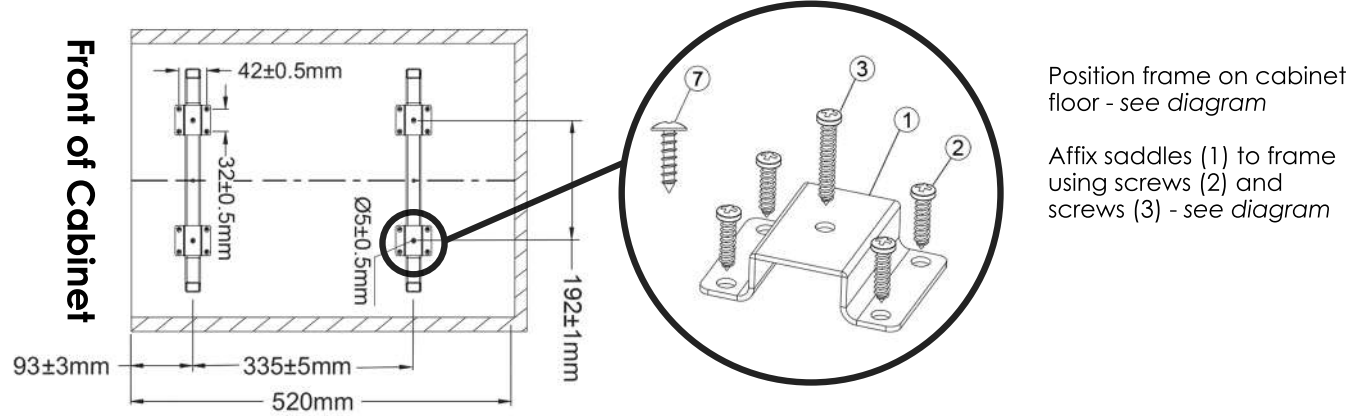
Minimum Cabinet Interior Dimension Requirements

Domestique PLUS 56L Twin Slide Out Concealed Waste Bin - 400mm Cupboard - With or Without Integrated Door Mount

ELITE®

STORAGE SOLUTIONS

STEP 1: Mount frame to cabinet base

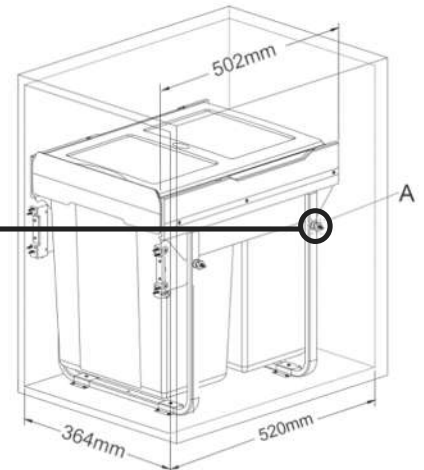
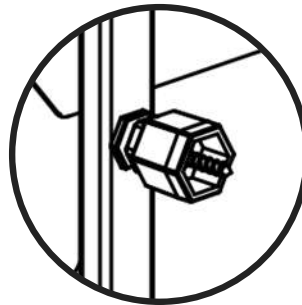
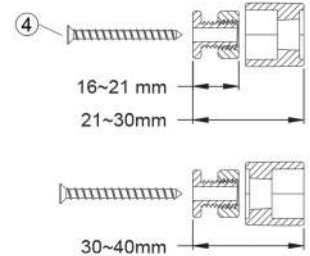
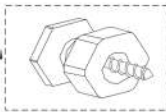
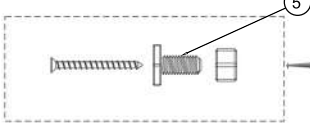


STEP 2: Affixing side stabilisers

NOTE: It is recommended to install the stabilisers to enhance the stability of the installed product

Adjust the stabiliser width to suit cabinet width

Attach stabiliser to frame using screw (4) to suit cabinet



STEP 3: Affixing door (Model EL-400-2-4098-D only)

Mounting the cabinet door to the frame allows the bin to slide out when the cabinet door is pulled out. The door mount kit is pre-attached to the unit (if you purchased the door mount version).

- Lift the locking levers and remove the front part of the runner.
- Put the cabinet door on a flat surface, front facing down. Place the front part of the runner with the door connector on the top of the door.
- Measure and make sure the door will be aligned with the cabinet before drilling the hole and screw the door connector onto the door.
- Put the front part of the runner (with the door attached) back to the frame, push it back into the runner until it clicks.
- Align the door to the cabinet using the adjustment screws.

