






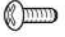

# Domestique 40L Twin Slide Out Concealed Waste Bin

- 400mm Cabinet  
- With Optional Door Mount Kit

# ELITE®

STORAGE SOLUTIONS

## Contents List

	ITEM NAME	IMAGE	QUANTITY
1	Saddle brackets		4 pcs
2	PFO4x16		16 pcs
3	PFO4x25		6 pcs
<b>FOR DOOR MOUNT (OPTIONAL)</b>			
4	TF04x14		8 pcs
5	M6x16mm		2 pcs
6	M5x10mm		6 pcs
7	Door Connectors and Brackets (INCLUDED IN THE BOX)	 <small>(See step 2 for door bracket image)</small>	2 pcs

## Model

### EL-400-2-0217-D

- Twin 40L pull-out — 2 x 20L
- Suits standard 400mm wide cabinet (external)
- 25kg weight limit

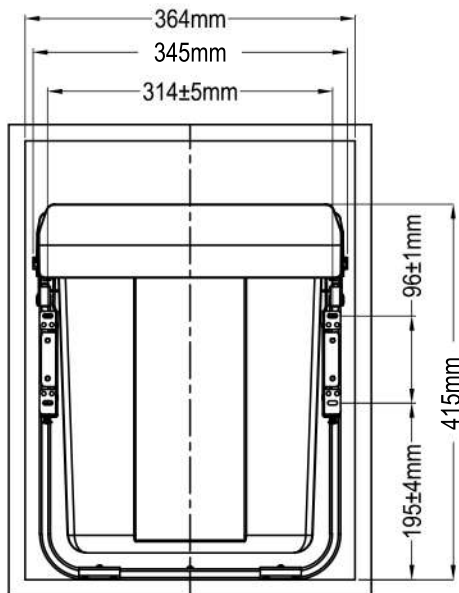
### Optional Door Mount Kit

The installer can choose from two types of cabinet door installation:

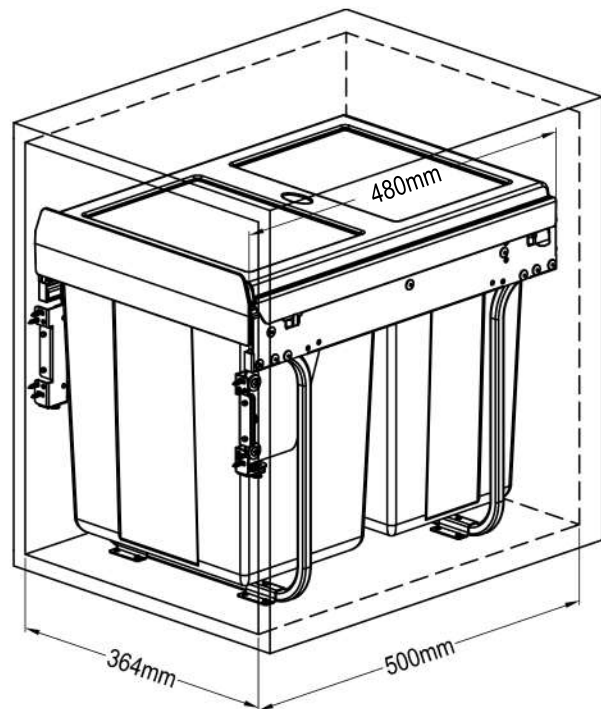
1. Hinged cabinet door: Simply open door then pull out the bin. Does not require the optional door mount kit
2. Mount cabinet door to bin front: Pulling out the cabinet door will pull out the bin. Requires installation of the included door mount kit (see Step 2)

## Dimensions

Suits a 400mm wide cabinet (external), or larger



Unit Dimensions

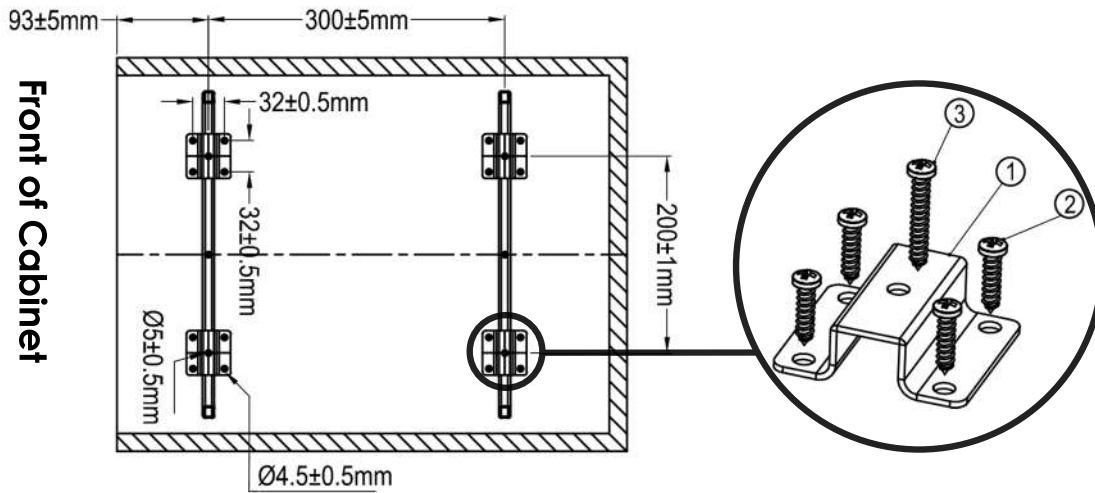


Cabinet Interior Dimensions

# Domestique 40L Twin Slide Out Concealed Waste Bin

- 400mm Cabinet
- With Optional Door Mount Kit

### STEP 1: Mount frame to cabinet base



Position frame on cabinet floor - see diagram

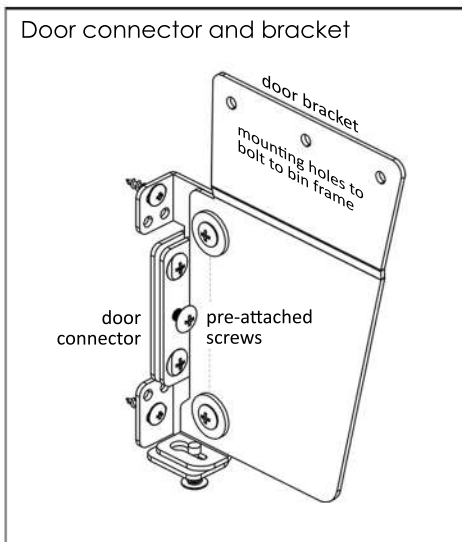
Affix saddles (1) over base of frame to the floor of the cabinet using screws (2) and screws (3) - see diagram

### STEP 2: Affixing door (optional)

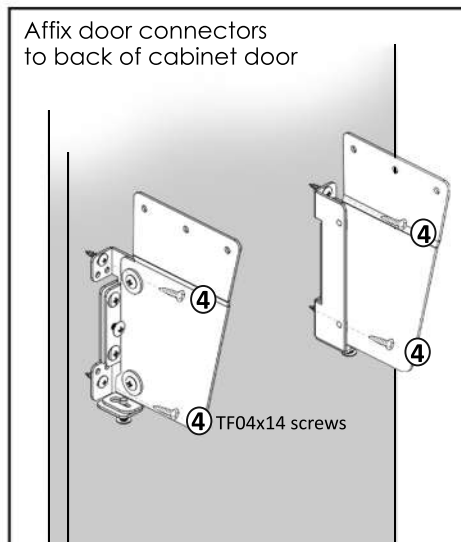
Mounting the cabinet door to the frame allows the bin to slide out when the cabinet door is pulled out. The optional door mount kit is included in the box.

1. Remove the three hex head bolts and the plate from the inside of front of frame (left and right side).
2. Affix the optional door brackets onto the frame using the removed hex head bolts.
3. Measure the distance between the door connector mounting holes and determine where these should be drilled on the back of your cabinet door so the door is aligned.
4. The door connectors can be removed from the door brackets and affixed to the back of the cabinet door, then they can be re-connected to the door brackets.
5. Align the cabinet door using the adjustment bolts.

Door connector and bracket



Affix door connectors to back of cabinet door



Door alignment adjustments

