




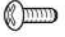



Domestique 30L Twin Slide Out Concealed Waste Bin

- 300mm Cabinet
- With Optional Door Mount Kit

Contents List

| | ITEM NAME | IMAGE | QUANTITY |
|----------------------------------|--|---|----------|
| 1 | Saddle brackets |  | 4 pcs |
| 2 | PFO4x16 |  | 16 pcs |
| 3 | PFO4x25 |  | 6 pcs |
| FOR DOOR MOUNT (OPTIONAL) | | | |
| 4 | TF04x14 |  | 8 pcs |
| 5 | M6x16mm |  | 2 pcs |
| 6 | M5x10mm |  | 6 pcs |
| 7 | Door Connectors and Brackets (INCLUDED IN THE BOX) |  <small>(See step 2 for door bracket image)</small> | 2 pcs |

Model

EL-300-2-0215-D

- Twin 30L pull-out — 1 x 20L + 1 x 10L
- Suits standard 300mm wide cabinet (external)
- 25kg weight limit

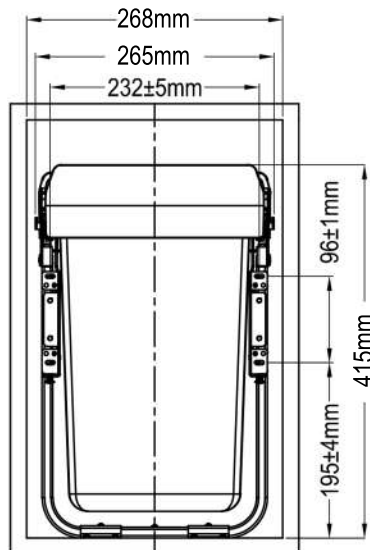
Optional Door Mount Kit

The installer can choose from two types of cabinet door installation:

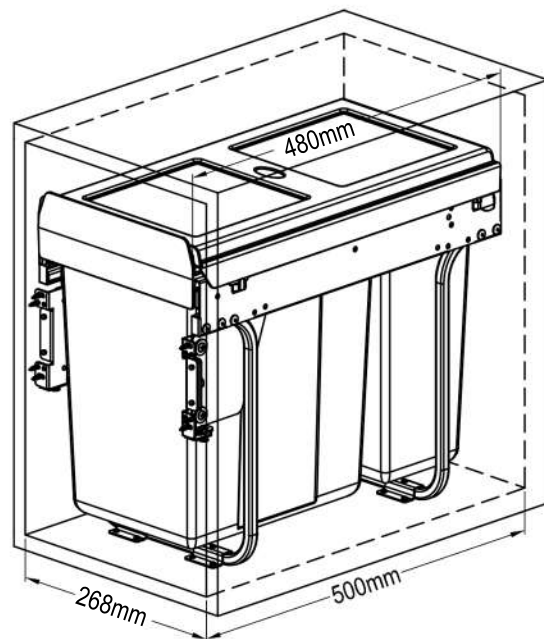
1. Hinged cabinet door: Simply open door then pull out the bin. Does not require the optional door mount kit
2. Mount cabinet door to bin front: Pulling out the cabinet door will pull out the bin. Requires installation of the included door mount kit (see Step 2)

Dimensions

Suits a 300mm wide cabinet (external), or larger



Unit Dimensions

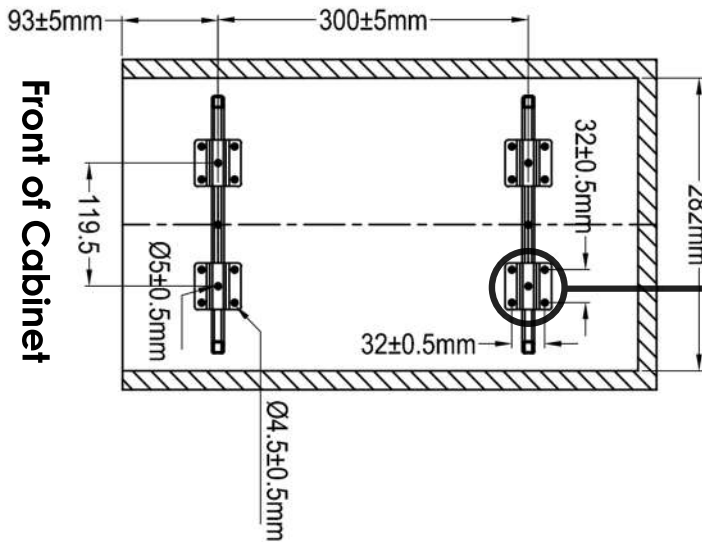


Cabinet Interior Dimensions

Domestique 30L Twin Slide Out Concealed Waste Bin

- 300mm Cabinet
- With Optional Door Mount Kit

STEP 1: Mount frame to cabinet base



Position frame on cabinet floor - see diagram

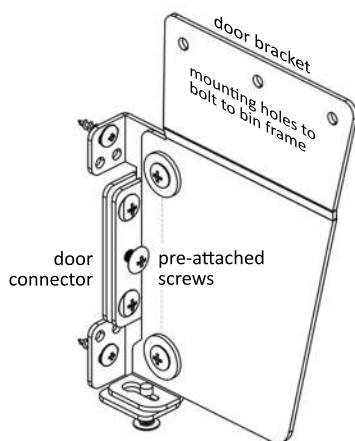
Affix saddles (1) over base of frame to the floor of the cabinet using screws (2) and screws (3) - see diagram

STEP 2: Affixing door (optional)

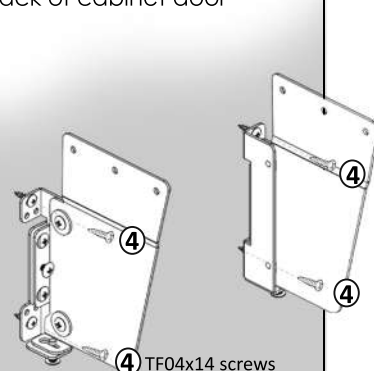
Mounting the cabinet door to the frame allows the bin to slide out when the cabinet door is pulled out. The optional door mount kit is included in the box.

1. Remove the three hex head bolts and the plate from the inside of front of frame (left and right side).
2. Affix the optional door brackets onto the frame using the removed hex head bolts.
3. Measure the distance between the door connector mounting holes and determine where these should be drilled on the back of your cabinet door so the door is aligned.
4. The door connectors can be removed from the door brackets and affixed to the back of the cabinet door, then they can be re-connected to the door brackets.
5. Align the cabinet door using the adjustment bolts.

Door connector and bracket



Affix door connectors to back of cabinet door



Door alignment adjustments

