





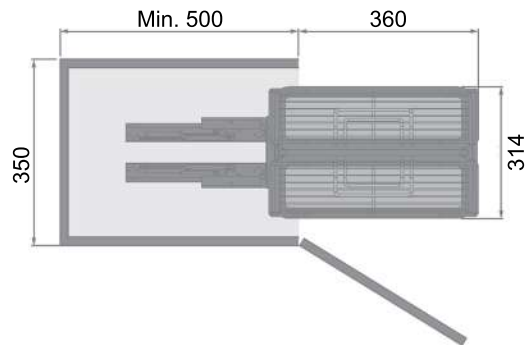


Parts List

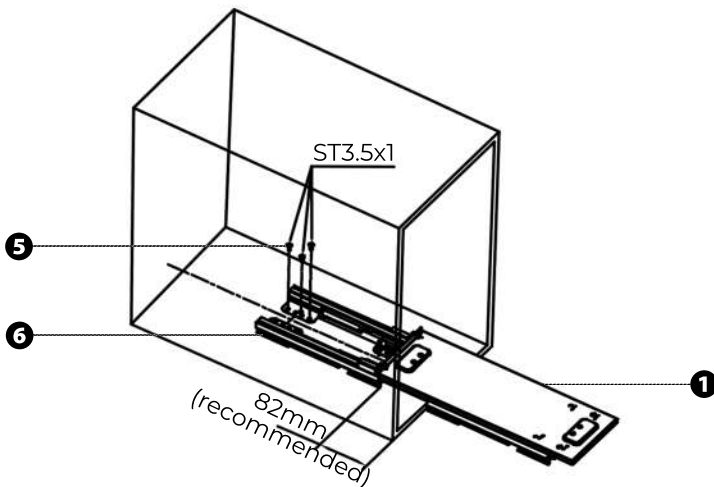
<b>1</b> 	<b>2</b> 	<b>3</b> 
Bottom Frame x1	Frame Support x1	Baskets x2
<b>4</b> 	<b>5</b> 	<b>6</b> 
M5x10 Screw x4	ST3.5*16 Screws x12	Slider x1pair

Cabinet and Product Dimensions



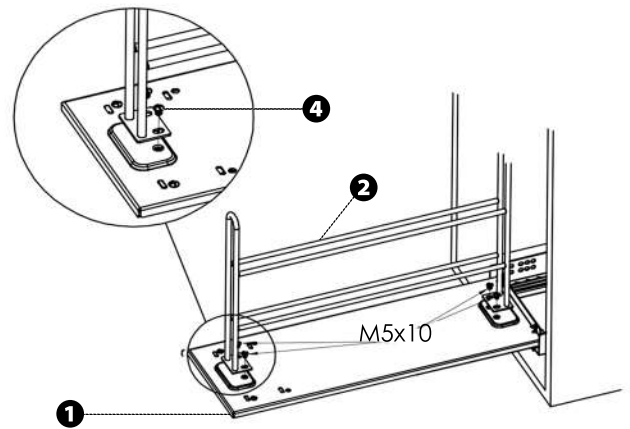
### STEP 1. Installation of sliders

Connect the **1** bottom frame to the **6** sliders, then install them on the cabinet's base using 12pcs of **5** ST3.5\*16 screws.



### STEP 2. Installation of support

Affix the **2** frame support to the **1** bottom frame using 4pcs of **4** M5\* 10 screws.



### STEP 3. Installation of basket

Place and secure the **3** two baskets to the **2** frame support. *Installation complete.*

