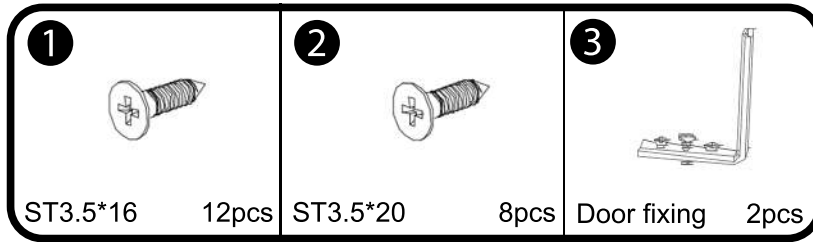


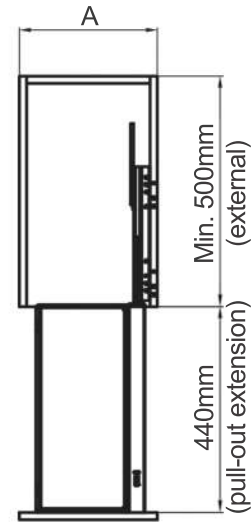
Parts List



This installation manual is for right-side mounting unit. Left-side mounting is symmetrical.

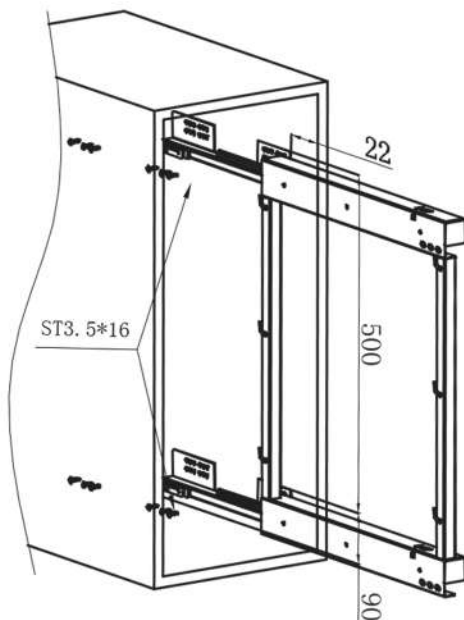
Product SKU	A	B
304307	200mm	135mm
304308	300mm	235mm

A=External cabinet width
B=Basket width of either left/right side mount unit



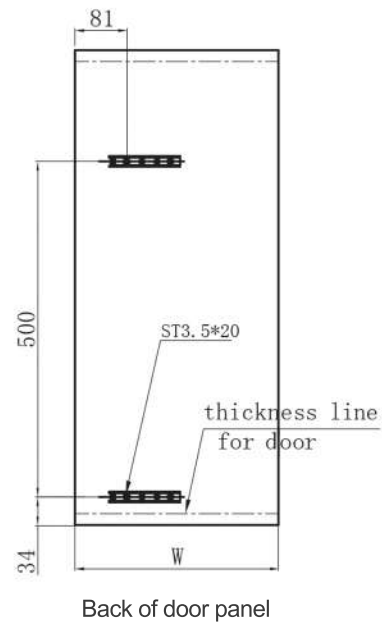
STEP 1. Fix frame to cabinet

Affix the frame to the internal wall of cabinet using **1** ST3.5*16 screws.



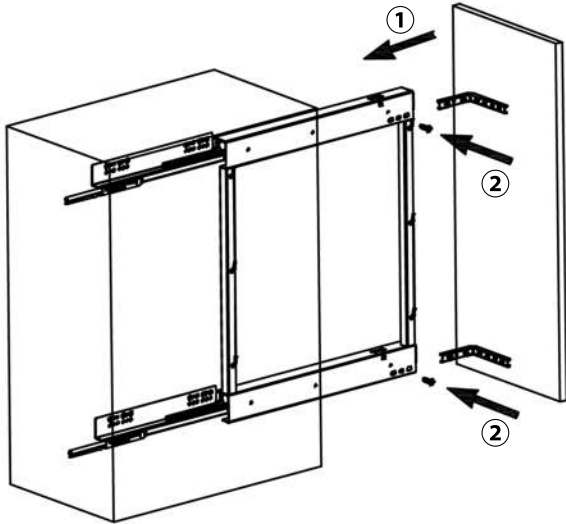
STEP 2. Fix brackets to door

Affix each door fixing to the cabinet door panel using **2** ST3.5*20 screws. See illustration below for the door fixing position.



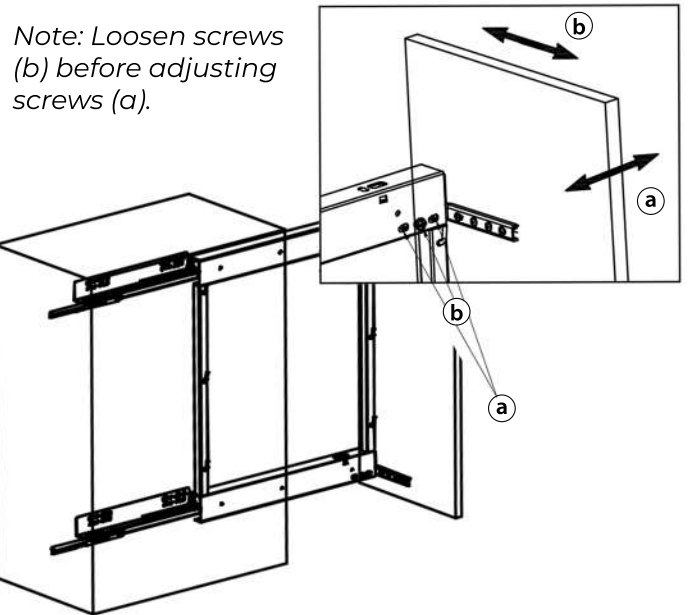
▶▶▶ STEP 3. Fix frame to door

Connect each **3** door fixing to the frame and secure with **2** ST3.5*20 screws.



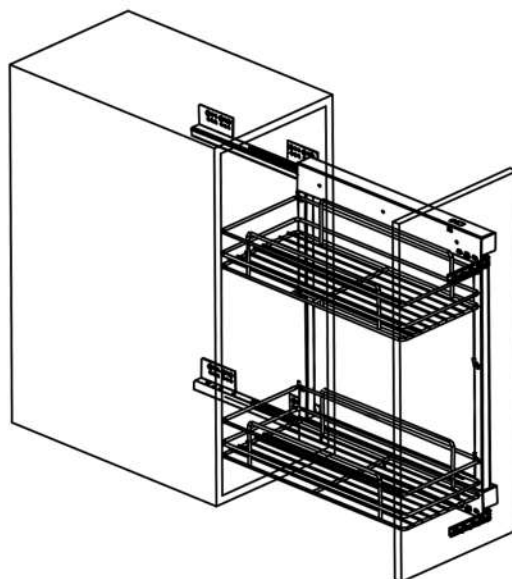
▶▶▶ STEP 4. Adjust door alignment

Adjust and tighten screws (a) to fix horizontal door alignment; screws (b) for vertical.



▶▶▶ STEP 5. Install baskets

Place and secure each basket in the provided hooks. *Installation complete.*



Basket style in the diagram may differ from your model.