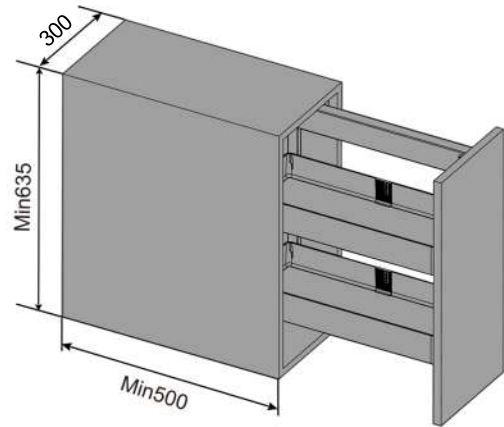
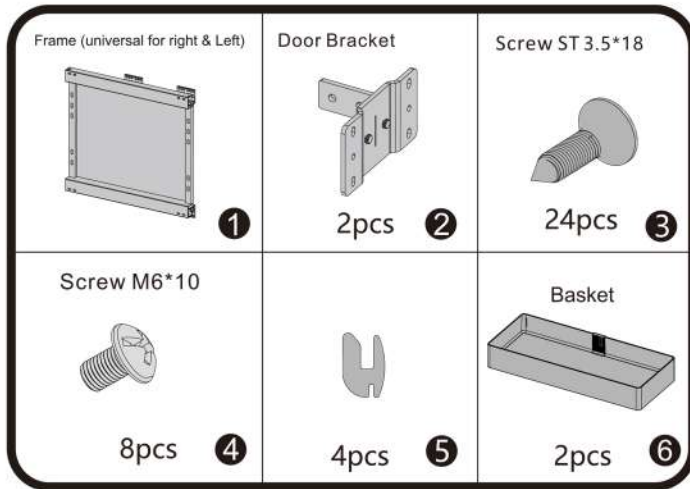


Parts List

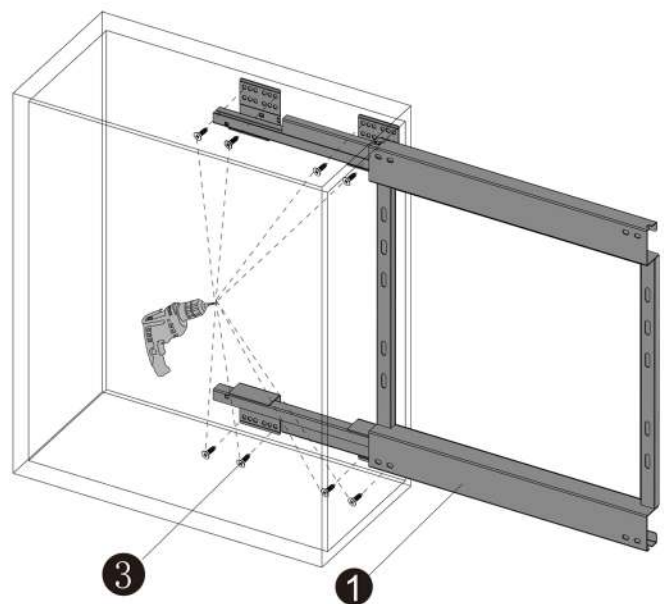
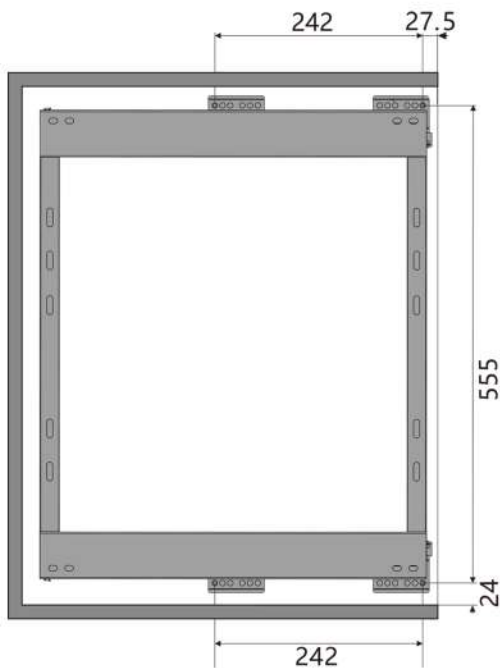


This installation manual is for right-side mounting unit. Left-side mounting is symmetrical.

Product SKU	Unit Size
304173R	255 x 465 x 580

### ▶▶ STEP 1. Fix frame to cabinet

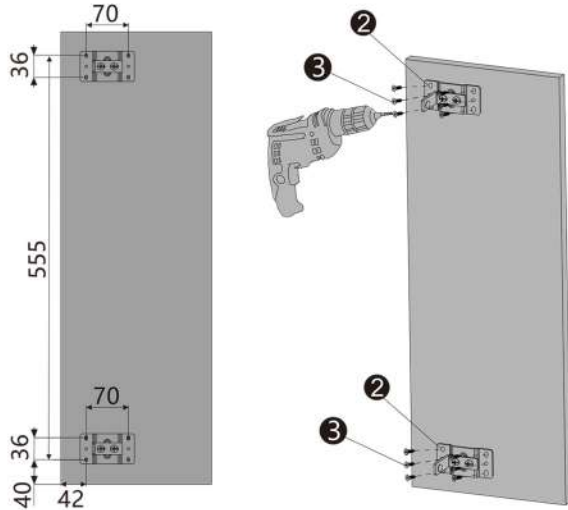
Drill Ø2.5mm holes on the cabinet wall as shown below. Pull out the **1** frame and affix on the cabinet wall using 8pcs of **3** ST3.5\*18 screws.



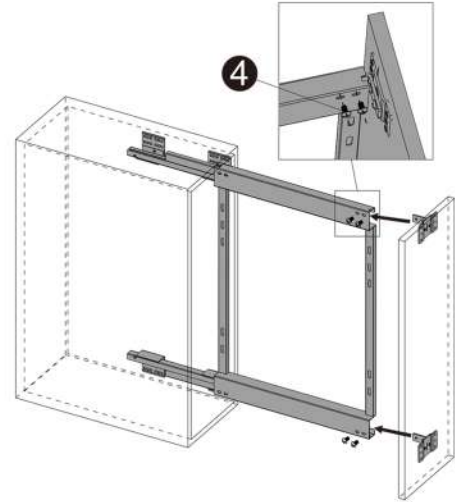
HG-304173R-CFG

### STEP 2. Fix frame to door

**2.1.** Drill  $\varnothing 2.5$ mm holes on the door panel and affix each **2** door bracket using 6 pcs of **3** ST3.5\*18 screws.

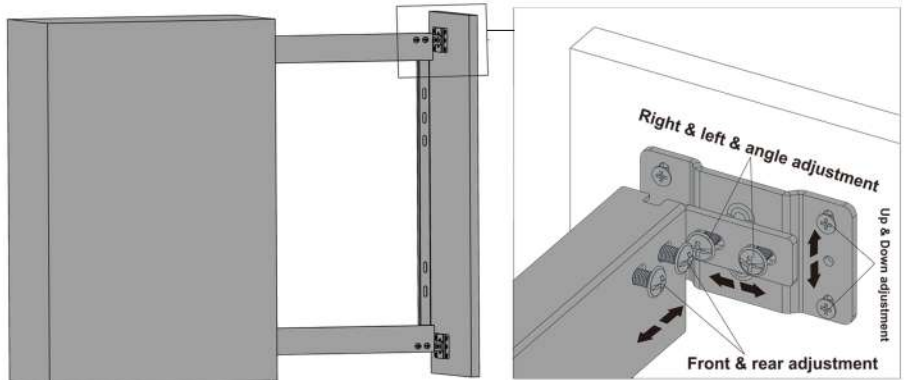


**2.2.** Align the holes in the door brackets with the corresponding holes in the frame. Secure the brackets firmly using 4 pcs of **4** M6\*10 screws.



### STEP 3. Adjust door alignment

Align the door to the correct position as shown and secure again using 4 pcs of **4** M6\*10 screws.



### STEP 4. Install baskets

Attach the **5** hooks securely to each hole in the frame, then place the **6** baskets onto the hooks.

