







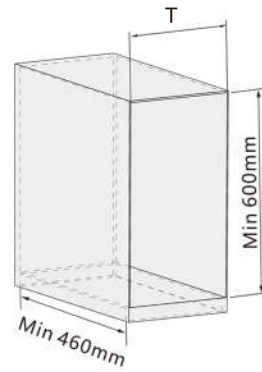
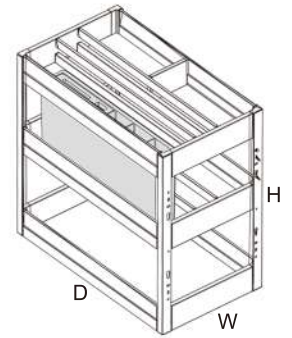


Parts List

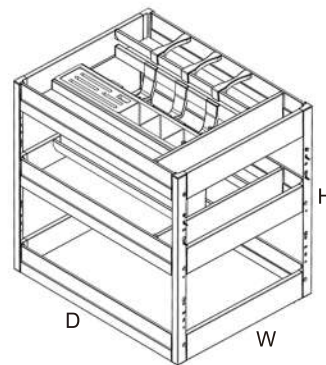
1  M4*8(4PCS)	2  ST4.2*16(4PCS)	3  ST4.0*12(4PCS)	4  ST4.0*16(16PCS)
5  1PCS Drilling Template	6  2PCS	7  QTY as stated below	
8  QTY as stated below			



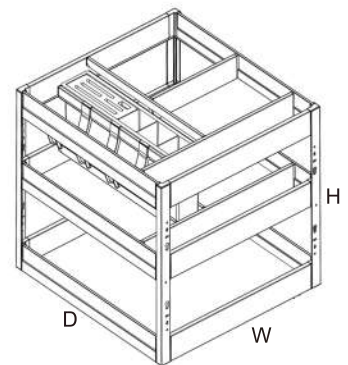
Cabinet Requirements



For 300mm



For 400mm



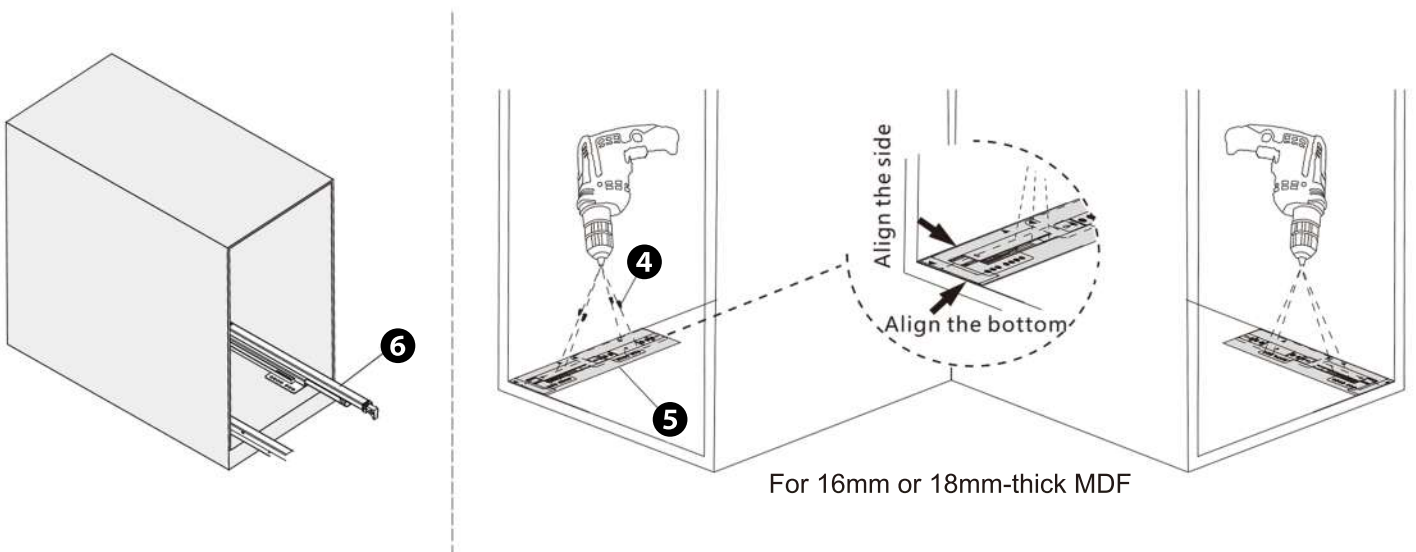
For 450mm

Product Models

Product SKU	HG-306291-2691	HG-306293-2692	HG-306294-2693
External Cabinet Width (T)	300mm	400mm	450mm
Product Dimensions (W x D x H)	264x450x475mm	364x450x475mm	414x450x475mm
No. of Accessories - Part 7	n/a	3	3
No. of Accessories - Part 8	n/a	3	n/a

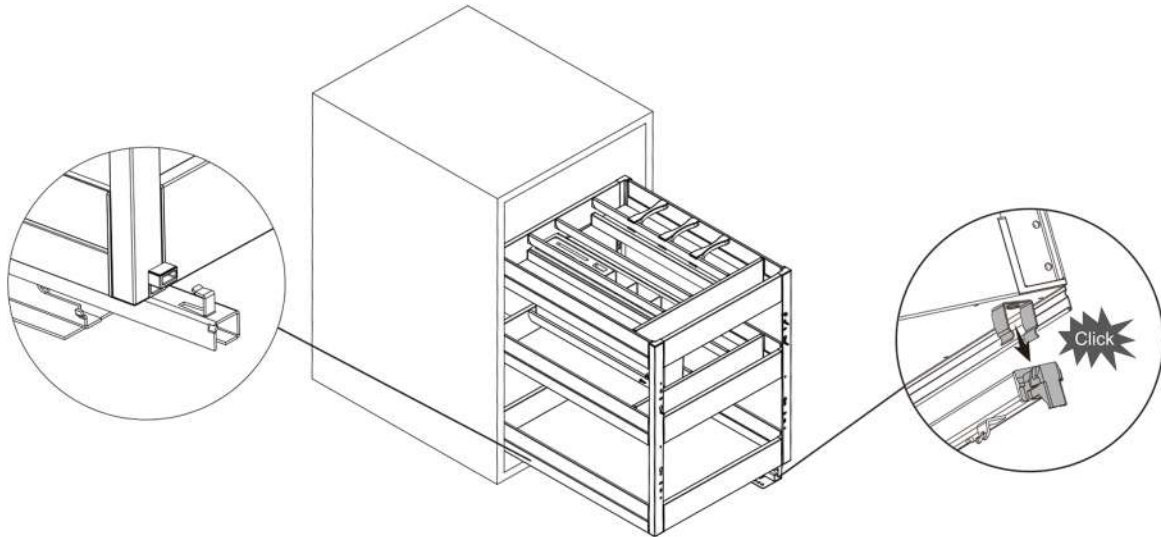
STEP 1. Installation of sliders

Place the **5** drilling templates on each side of the cabinet, then install the **6** sliders with **4** 8pcs of ST4*16 screws on each side.



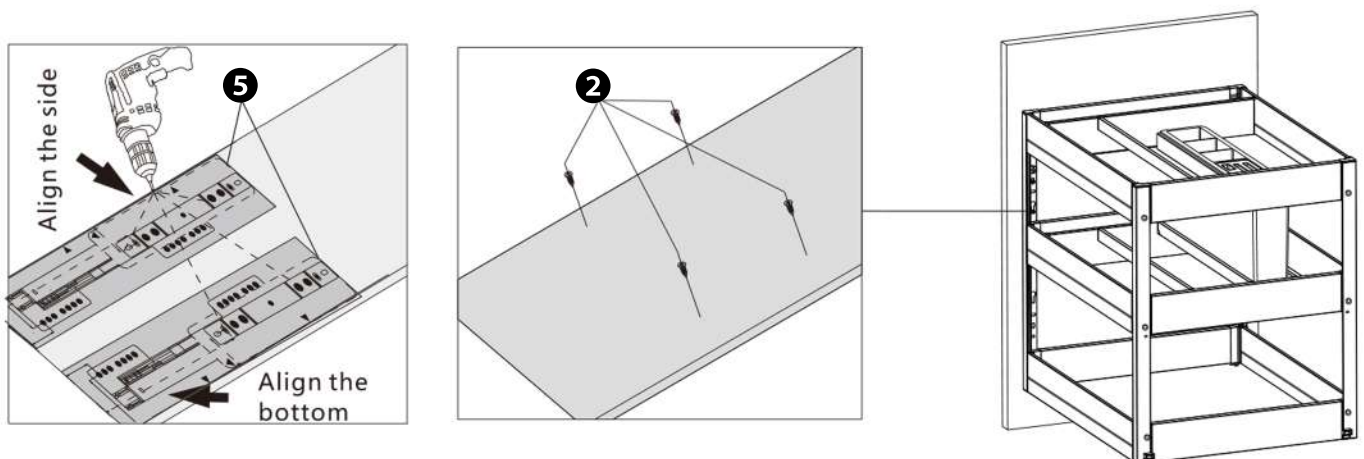
▶▶▶ STEP 2. Installation of baskets

Secure the basket onto the sliders, ensuring the slider hook is firmly clicked into the basket unit.



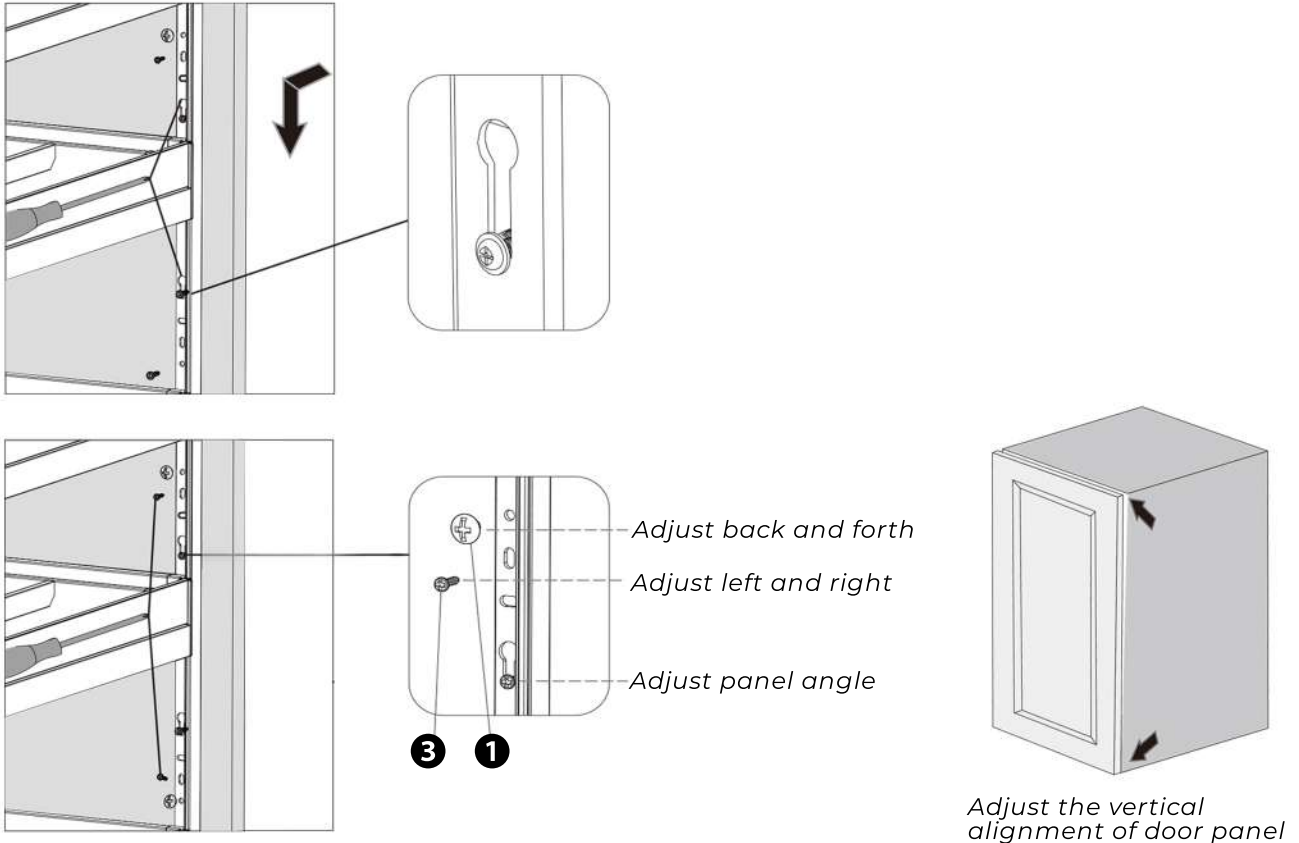
▶▶▶ STEP 3. Installation of door panel

Place the ⑤ drilling templates on each side of the cabinet door, then attach the basket unit with ② 4 pcs of ST4.2*16 screws.



▶▶ STEP 4. Adjustment of door panel

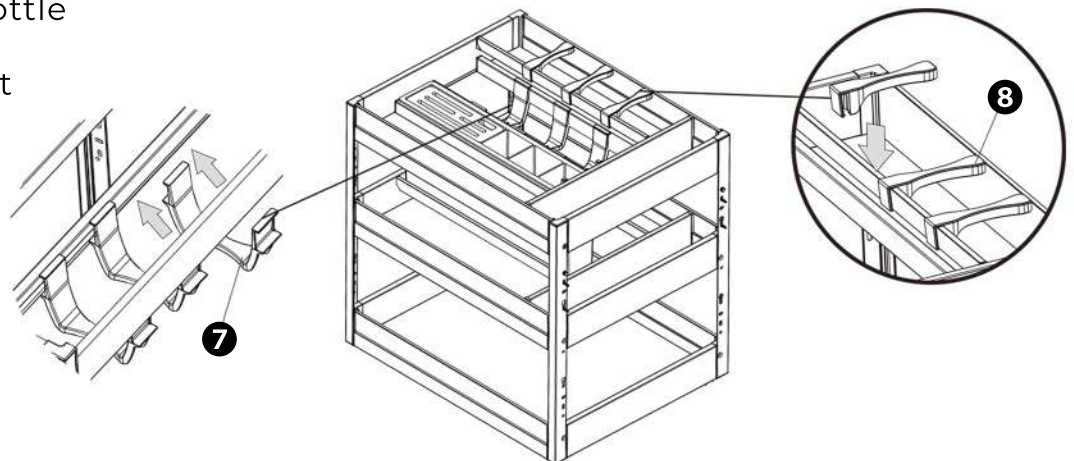
Place **1** 4pcs of M4*8 and **3** 4pcs of ST4*12 screws.
Adjust each screw accordingly before securing them.



▶▶ STEP 5. Installation of accessories

Place the **7** **8** bottle dividers / holders on the basket unit according to your storage configuration needs.

See list of provided accessories on page 1.



Installation complete