

# ELITE Provadore Undercounter Pull Out Basket - Side Mounted

for a 300mm cupboard - ELITECPO-P300-0609

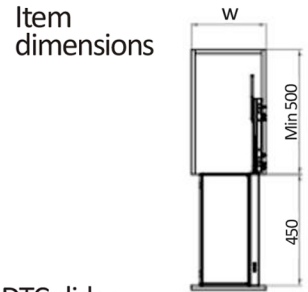


**Hettich / Angas slider mounting materials**

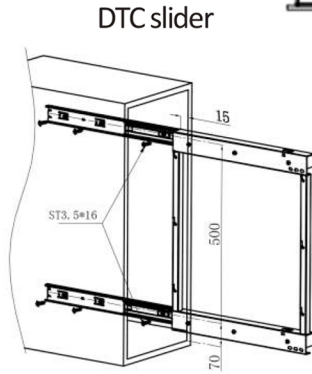
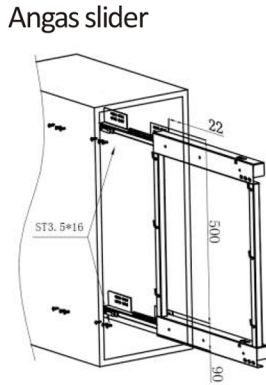
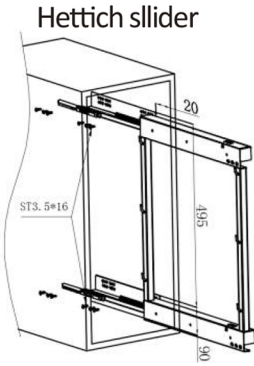
- ST3. 5x16 tapping screw (12)
- ST3. 5x20 tapping screw (8)
- Door fixing (2)

**DTC slider mounting materials**

- ST3. 5x16 tapping screw (6)
- ST3. 5x20 tapping screw (8)
- Door fixing (2)

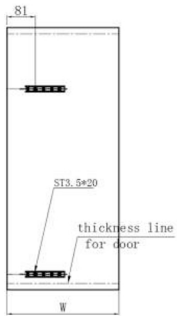


1. Install the frame to the side of the door. Refer to each slide type below:

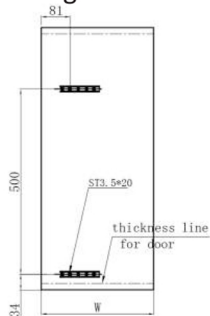


2. Attach the door fixing to the cabinet door

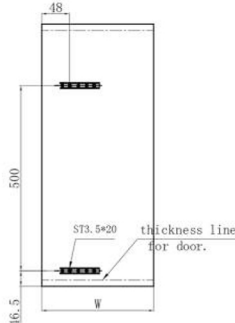
**Hettich slider**



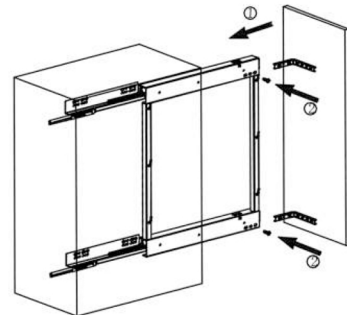
**Angas slider**



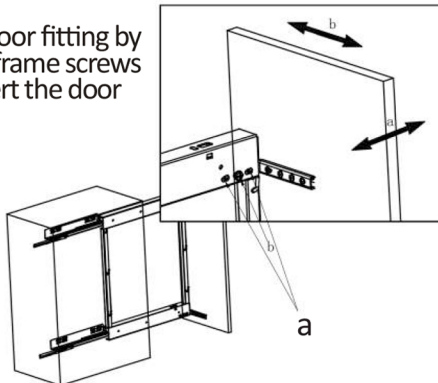
**DTC slider**



3. Connect the door fixing to the frame to affix the cabinet door



4. Adjust door fitting by loosening frame screws as you insert the door fixing



5. Affix the baskets to the frame

