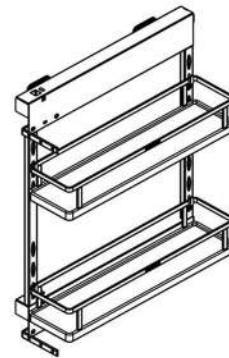
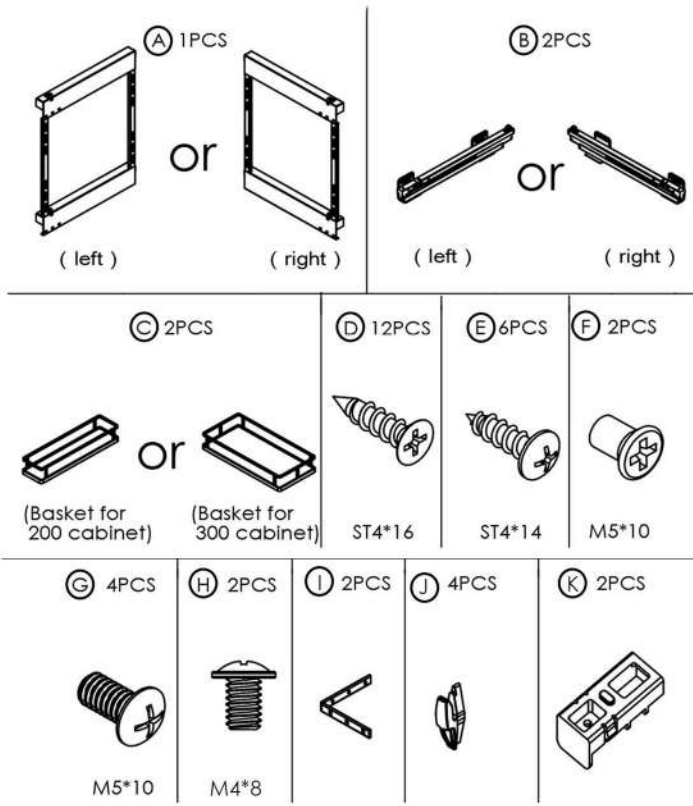


ELITE Provadore Pull-Out Underbench Storage - for 200mm Cabinet

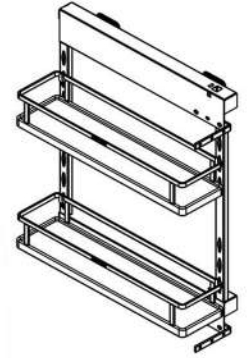
ELITECPO-P200-LFT-0500 and ELITECPO-P200-RHT-0500



Parts and accessories

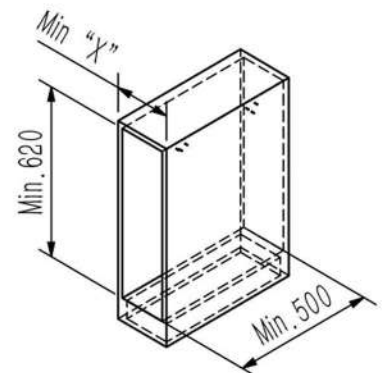
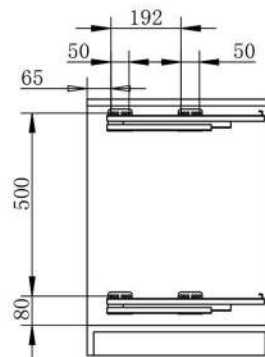


ELITECPO-P200-LFT-0500



ELITECPO-P200-RHT-0500

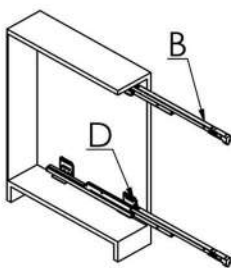
⚠ Note: This instruction is for right side installation. Left side is symmetrical.



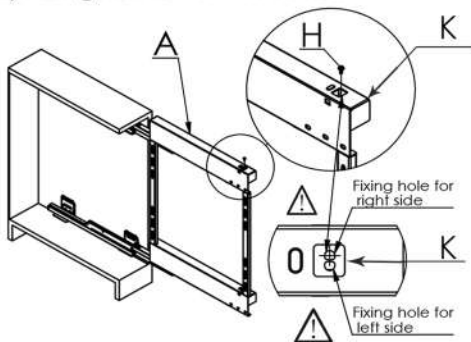
	Cabinet	Specification	Size "X"
Left	200	470*155*585	164
Right	200	470*155*585	164

Installation Procedure:

1) Fixing slider in cabinet with screws "D".

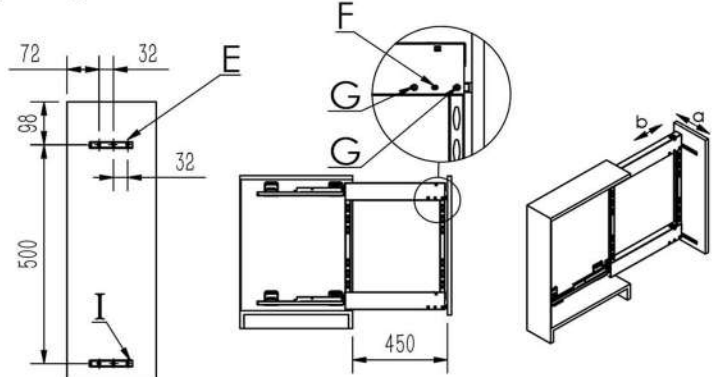


2) Fixing frame "A" with slider.



3) Fixing door with frame.

⚠ Notes: Turn screws G and F. Adjust the door direction "a"; "b".



4) Hang up basket.

