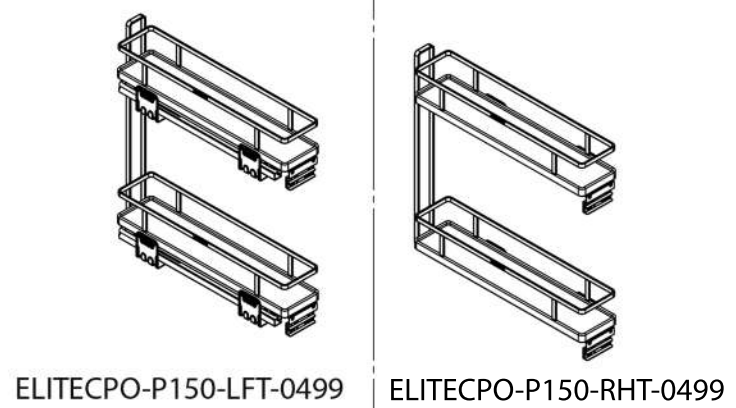
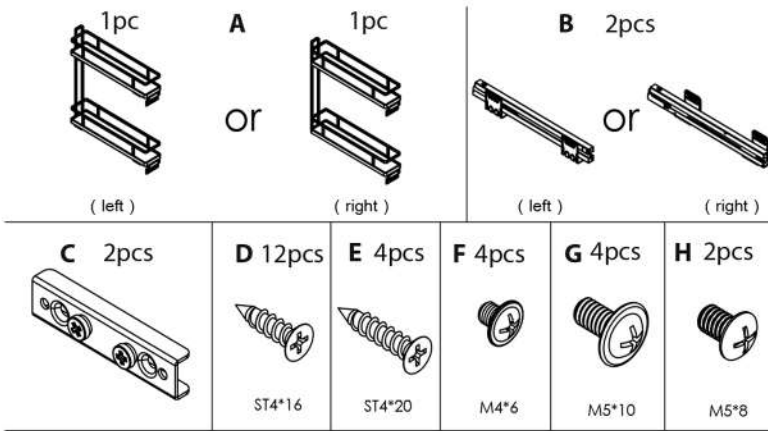


ELITE Provadore Pull-Out Underbench Storage - for 150mm Cabinet

ELITECPO-P150-LFT-0499 and ELITECPO-P150-RHT-0499



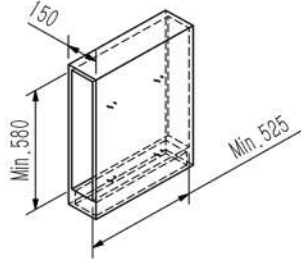
1. Parts and Accessories



2. Specification and Cabinet Size

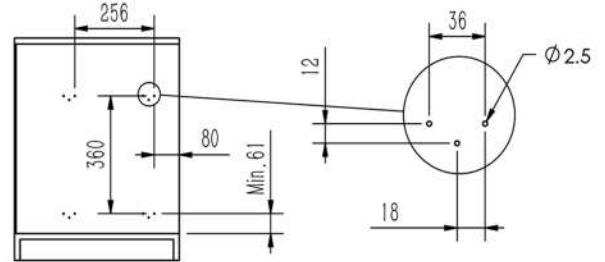
- △ a. Due to the narrow width of the product, install baskets first before assembling the cabinet.
- b. The instruction is applicable to both left and right mount installation, as they are symmetrical.

Specification:
488mm x 107mm x 518mm



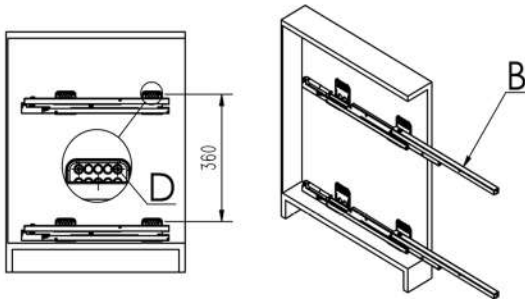
3. Installation Size

*unit of measurement = mm

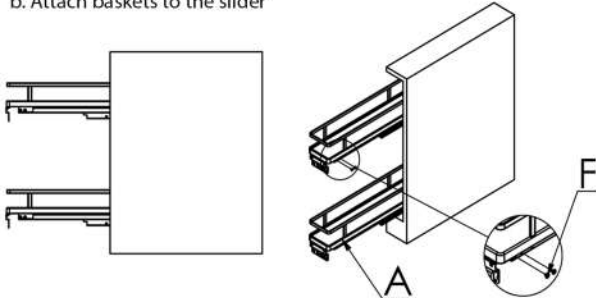


4. Installation steps

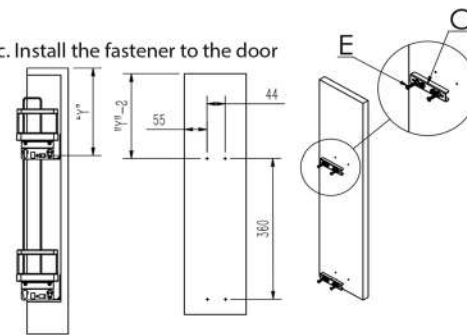
a. Affix the sliders on the cabinet with screw D



b. Attach baskets to the slider



c. Install the fastener to the door



d. Secure door cabinet into the baskets

