

ELITE Nero Kitchen Pull Out Cupboard Organiser

Side Mount - Suits 200mm Cabinet

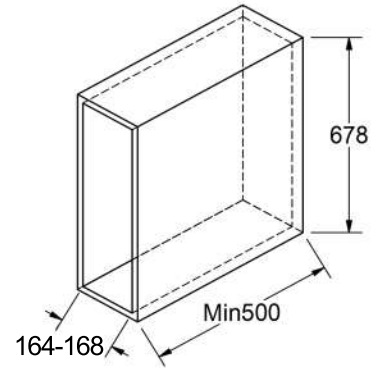


Package Inclusions

 1 PCS	 1 Set	 2 PCS
 6 PCS	 M4*8 6 PCS	 ST4*14 20 PCS

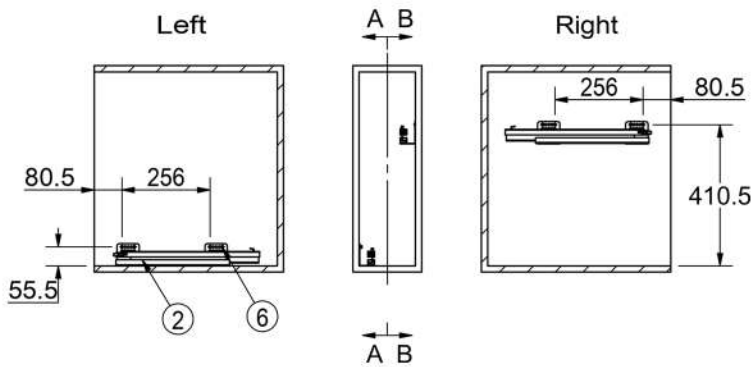
Suitable Cabinet Size

Required cabinet wall thickness is between 16-18mm



STEP 1

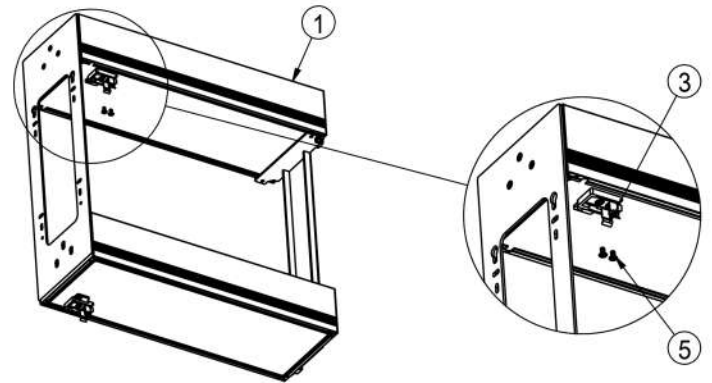
Fix the sliders to the left and right internal cabinet walls



NOTE: Mounting position of the sliders cannot be interchanged

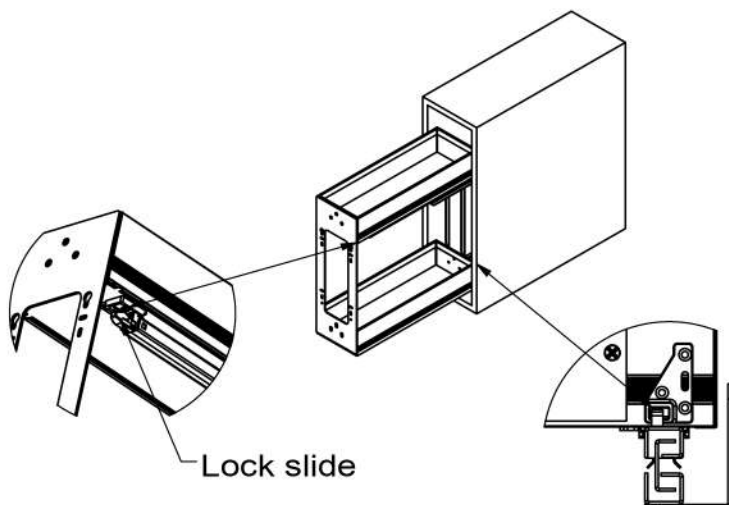
STEP 2

Fasten the slide buckles under the baskets



STEP 3

Install the baskets into the sliders



STEP 4

Affix the cabinet door to the frame and place the basket partitions

