










ELITE Nero Kitchen Pull Out Cupboard Organiser

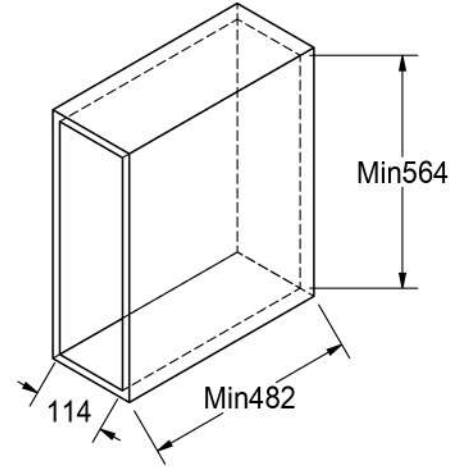
Left Side Mount - Suits 150mm Cabinet



Package Inclusions

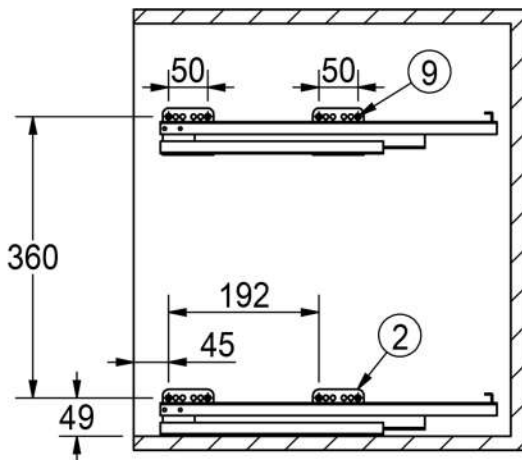
| | | | |
|---|--|--|--|
|  1 PCS |  1 Set |  1 PCS |  6 PCS |
|  M4*6 2 PCS |  M5*8 4 PCS |  ST4*14 2 PCS |  M4*6 4 PCS |
|  ST4*14 20 PCS | | | |

Suitable Cabinet Size



STEP 1

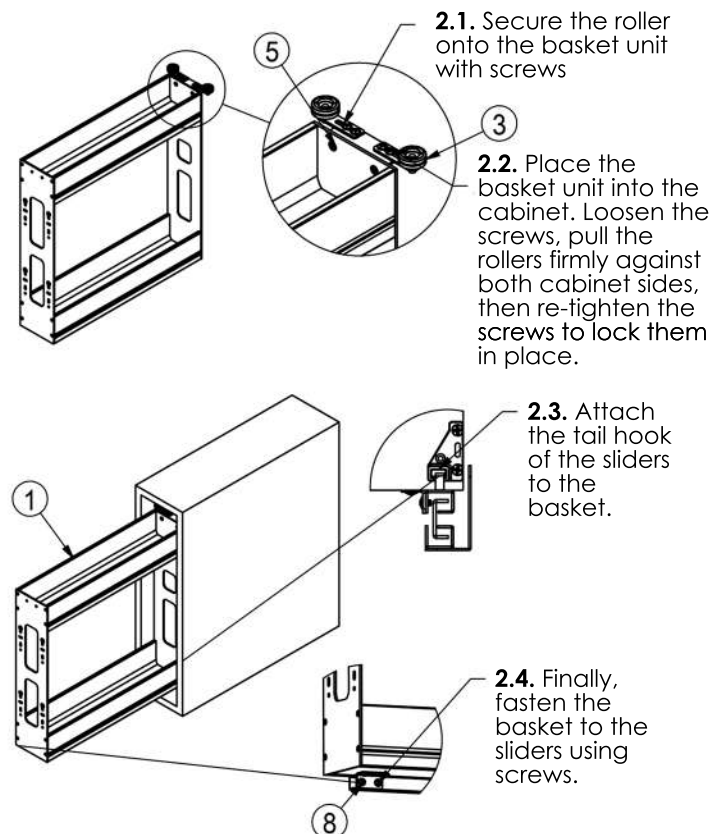
Fix the sliders to the left internal cabinet wall



NOTE: Right side mounting is not applicable

STEP 2

Affix the back roller to the basket unit, and the basket unit to the sliders inside the cabinet



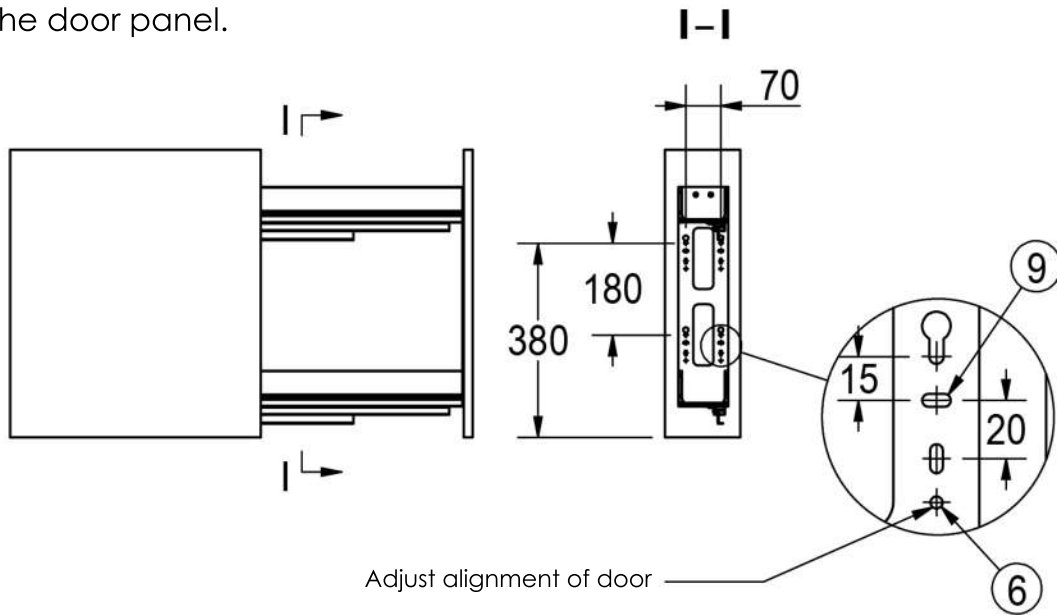
ELITE Nero Kitchen Pull Out Cupboard Organiser

Left Side Mount - Suits 150mm Cabinet

ELITE[®]
STORAGE SOLUTIONS

STEP 3

Install the door panel.



STEP 4

Place the separators into the designated slots inside the basket.
Ensure they are aligned properly and fit securely.

