

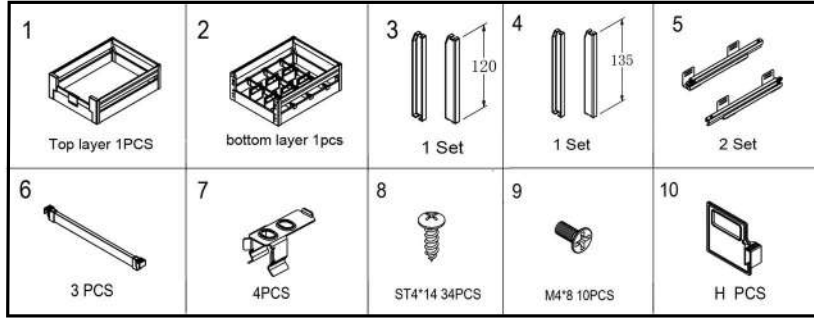
Nero Kitchen Aluminium Pull-Out Cabinet Storage Cupboard Organiser

- Suits 300mm, 350mm, and 400mm cupboards



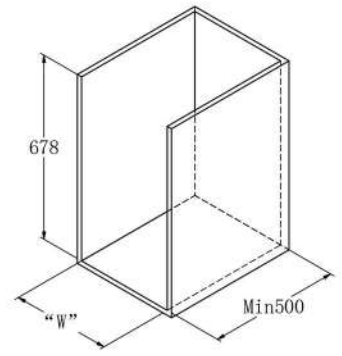
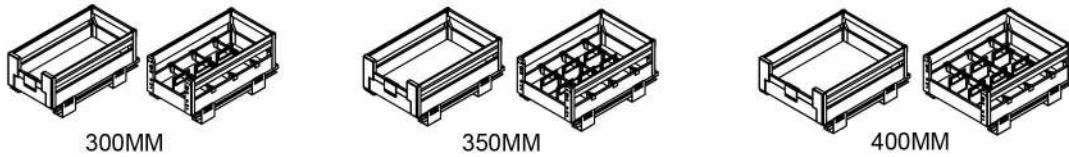
ELITECPO-N300-1398 / ELITECPO-N350-1399 / ELITECPO-N400-1400

Package Inclusions



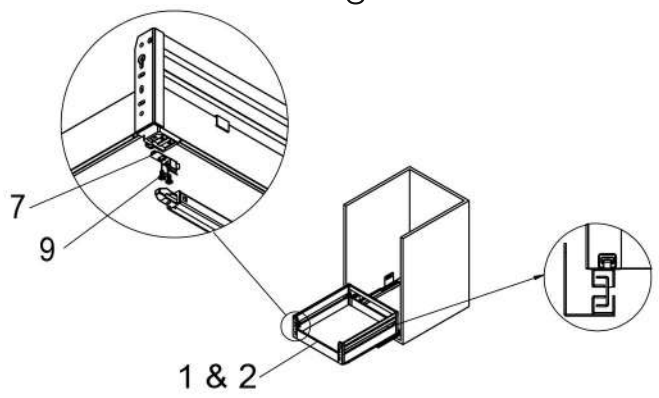
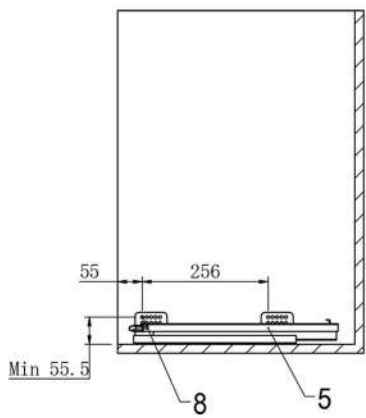
Suitable cabinet size (mm)

suitable cabinet size	basket width	Size W	Size N	H QTY
300mm	225	264	184.5	3
350mm	275	314	234.5	6
400mm	325	364	284.5	6



STEP 1 Fix the sliders to the internal cabinet wall

STEP 2 Install the baskets to the slider. Secure using screws 7 & 9



STEP 3 Affix the door panel to the baskets

