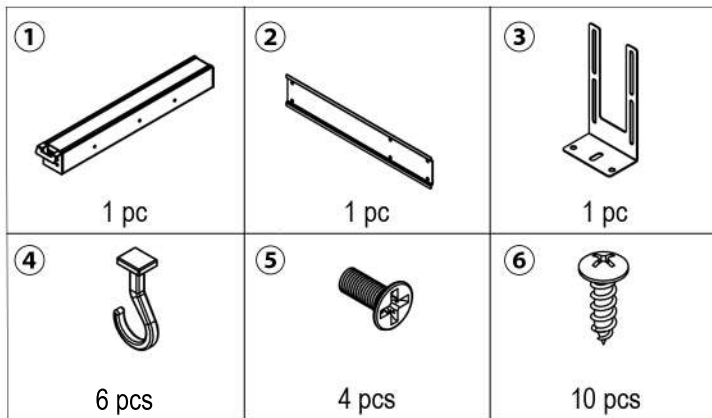


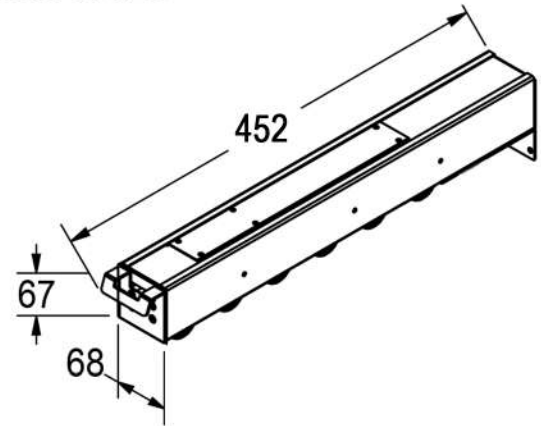
# ELITE Nero Kitchen Pull Out Pot Hanger Rack - With 6 Hooks - Undercounter Storage



## Package Inclusions



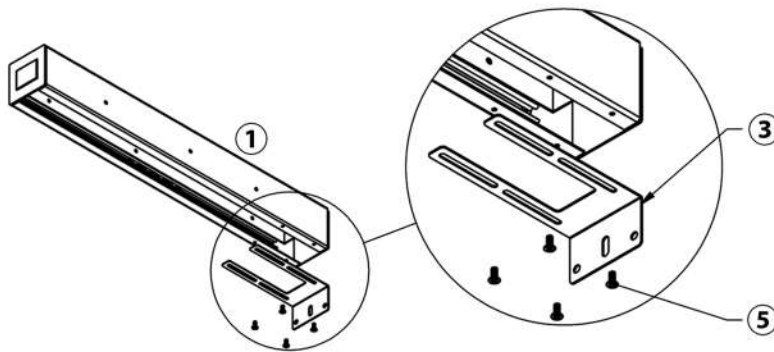
## Product Size



### STEP 1

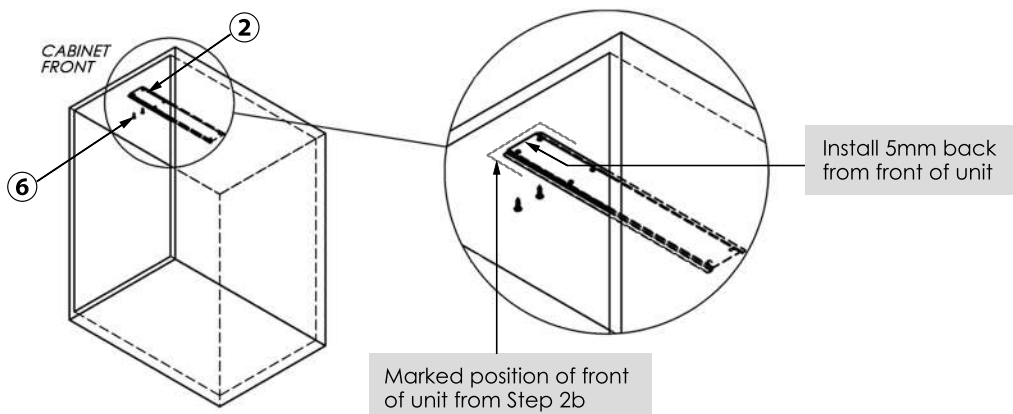
Attach the ③ bracket to the ① frame using 4 x bolts ⑤.

Note: Position bracket to ensure it will be flush against the rear internal wall of the cabinet when the unit is installed at your desired position (Choose a position from against the rear cabinet wall to up to 50mm from the rear cabinet wall).



### STEP 2

- Hold the assembled unit with attached rear bracket in the desired position on the cabinet interior ceiling with bracket against rear wall of cabinet.
- Mark where the front of the unit is positioned.
- Affix the ② top board (with flat side up and four screw holes to front) 5mm back from the marked position in the centre with 6 x screws

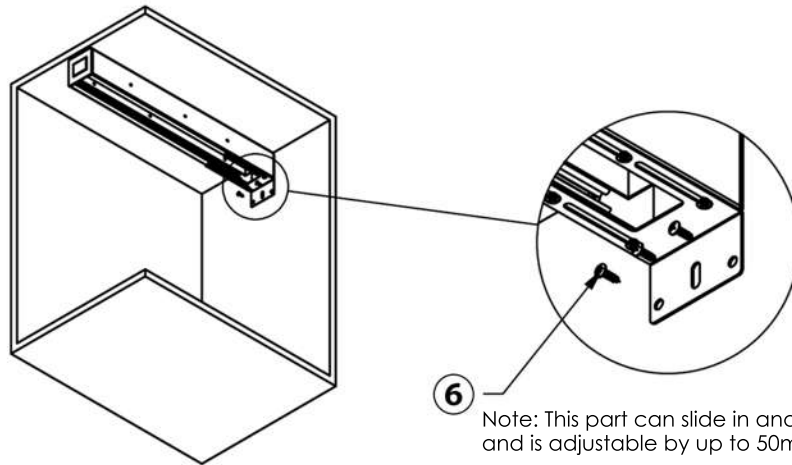


# ELITE Nero Kitchen Pull Out Pot Hanger Rack - With 6 Hooks - Undercounter Storage

**ELITE**<sup>®</sup>  
STORAGE SOLUTIONS

## STEP 3

Slide the assembled ① frame onto the installed ② top board until the ③ rear bracket is against the rear cabinet wall. Then fix the rear bracket to the back wall of cabinet using 3-4 x screws ⑥.



## STEP 4

Insert the provided ④ hooks into the sliding unit.

