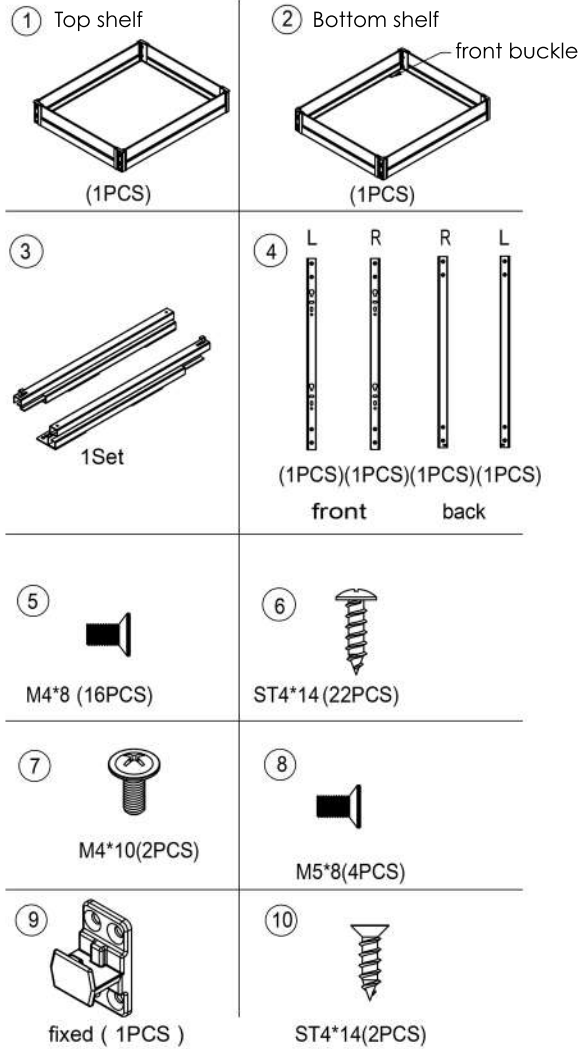


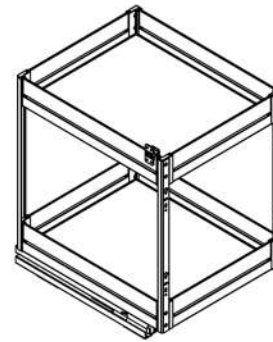
ELITE Galley Kitchen Pull Out Cupboard Organiser

Bottom Mount - Suits 200mm Cabinet

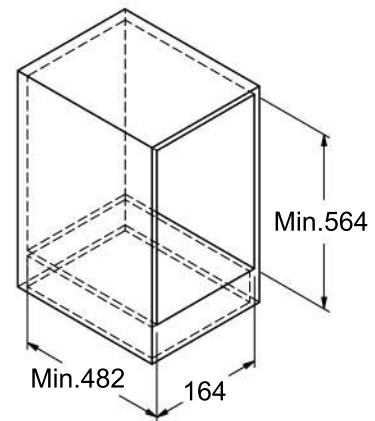


Product Size and Cabinet Width

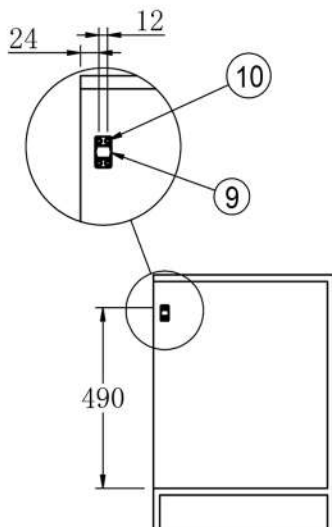
ELITECPO-G200-1407



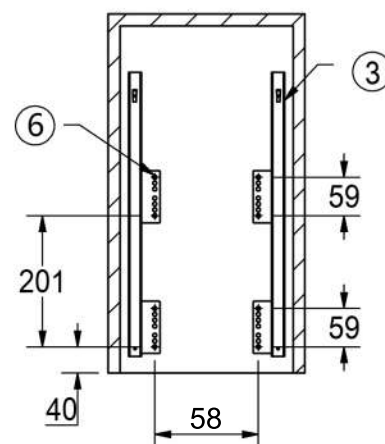
! NOTE: Make sure to drill holes for part (9) before mounting this product. See Step 1.



STEP 1 Drilling measurements (side view)



STEP 2 Mount sliders on cupboard base



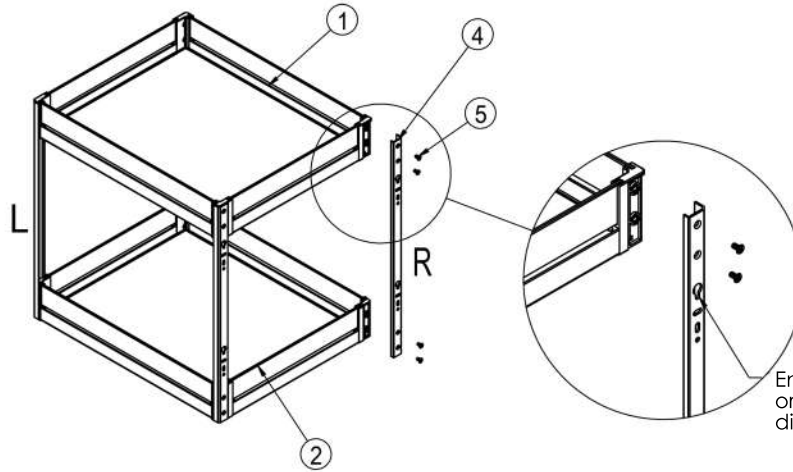
ELITE Galley Kitchen Pull Out Cupboard Organiser

Bottom Mount - Suits 200mm Cabinet



STEP 3

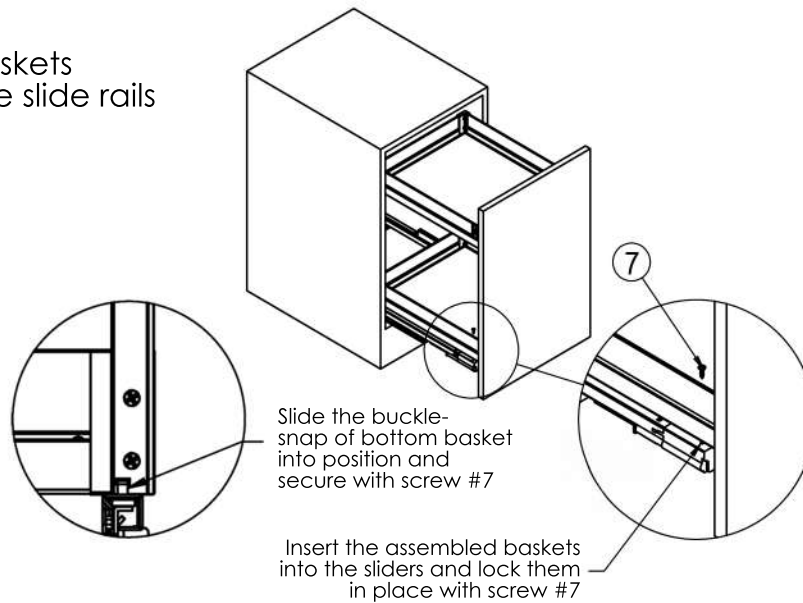
Assemble the support rods and basket



Ensure the direction of the support or frame rod is in the correct direction, as illustrated

STEP 4

Affix assembled baskets and frame onto the slide rails

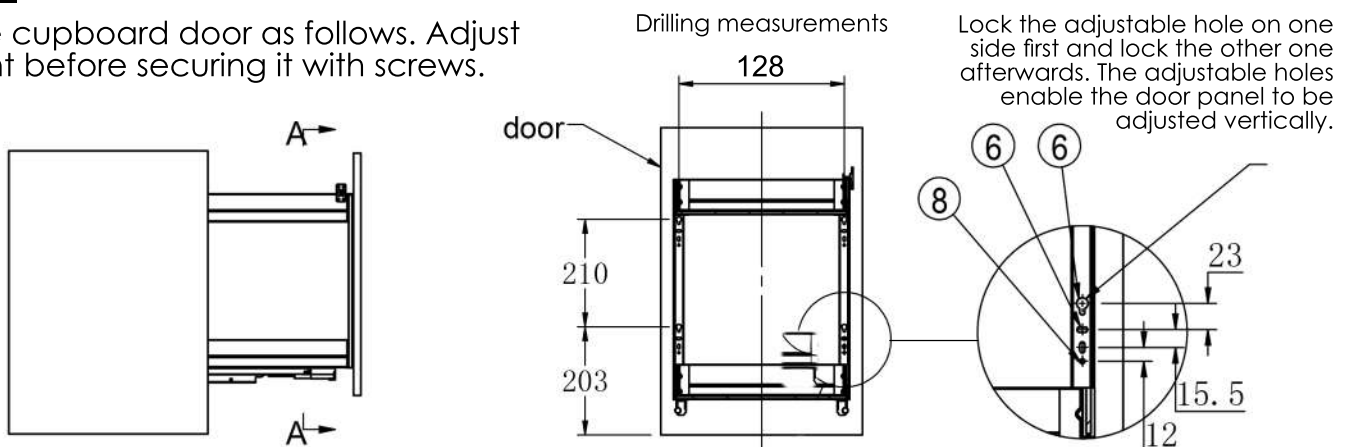


Slide the buckle-snap of bottom basket into position and secure with screw #7

Insert the assembled baskets into the sliders and lock them in place with screw #7

STEP 5

Install the cupboard door as follows. Adjust alignment before securing it with screws.



Lock the adjustable hole on one side first and lock the other one afterwards. The adjustable holes enable the door panel to be adjusted vertically.