

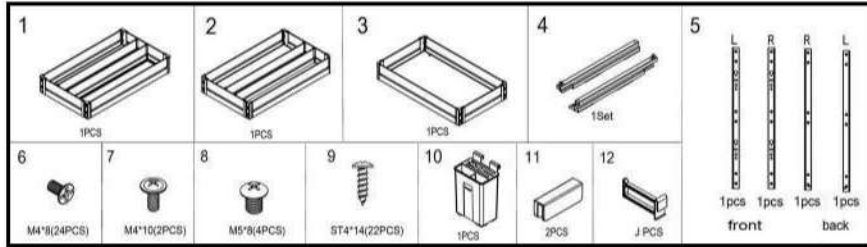
Galley Kitchen Pull-Out Cabinet Storage Cupboard Organiser

- Suits 300mm, 350mm, and 400mm cupboards



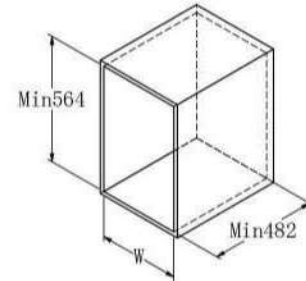
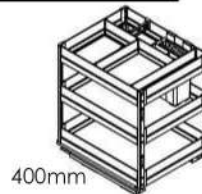
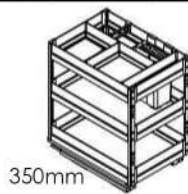
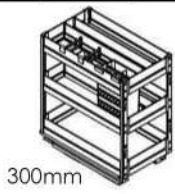
ELITECPO-G300-1406 / ELITECPO-G350-1405 / ELITECPO-G400-1404

Package Inclusions



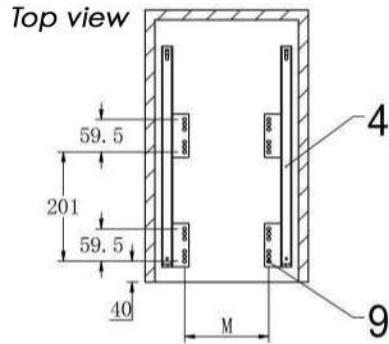
Suitable cabinet size (mm)

Cabinet width	W	M	N	J Quantity
300	300	155	228	2
350	350	205	278	1
400	400	255	328	1



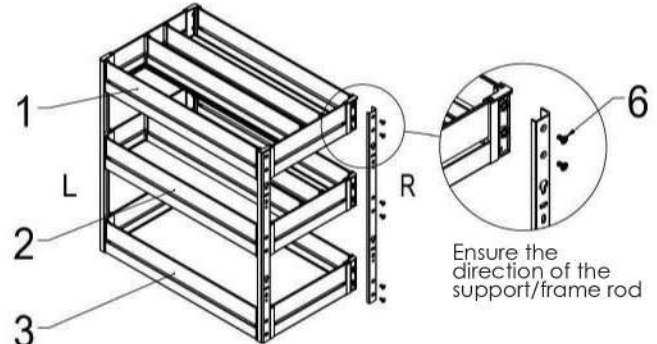
STEP 1

Fix the sliders to the internal cabinet floor



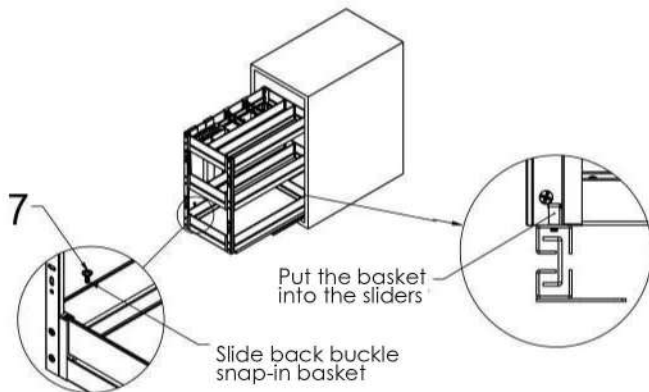
STEP 2

Assemble the support rods and baskets



STEP 3

Install the assembled baskets into the sliders



STEP 4

Affix the door panel into the frame

