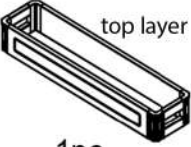
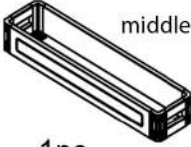








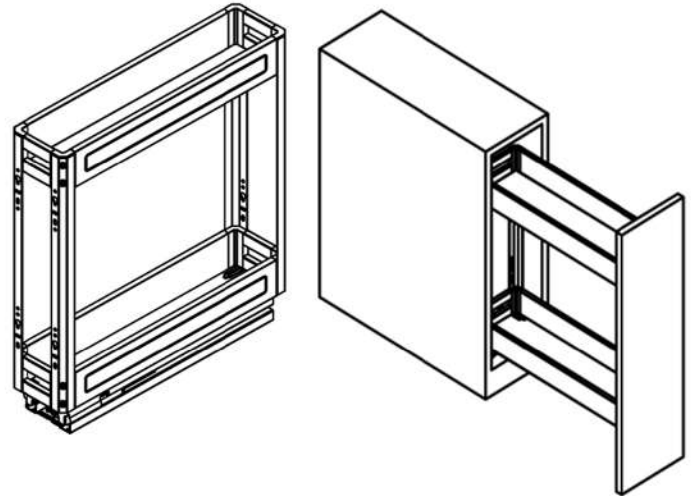


ELITE Chef Kitchen Pull Out Cupboard Organiser


Bottom Mount - Suits 200mm Cabinet

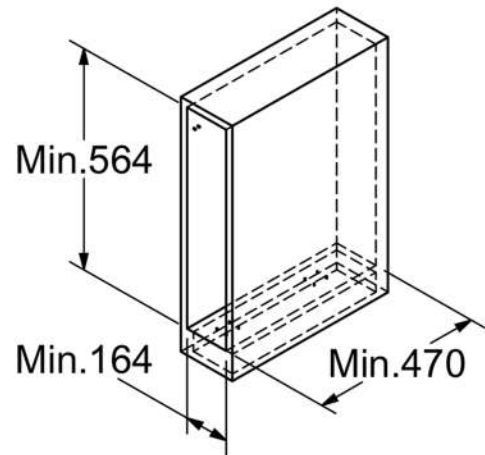
ELITE
STORAGE SOLUTIONS

<p>1</p>  <p>top layer</p> <p>1pc</p>	<p>2</p>  <p>middle layer</p> <p>1pc</p>
<p>3</p>  <p>1set</p>	<p>4</p>  <p>L 2pcs R 2pcs</p>
<p>5</p>  <p>M4*8 16pcs</p>	<p>6</p>  <p>M5*8 4pcs</p>
<p>7</p>  <p>ST4*14 22pcs</p>	<p>8</p>  <p>M4*6 2pcs</p>
<p>9</p>  <p>1pcs</p>	<p>10</p>  <p>ST4*14 2pcs</p>

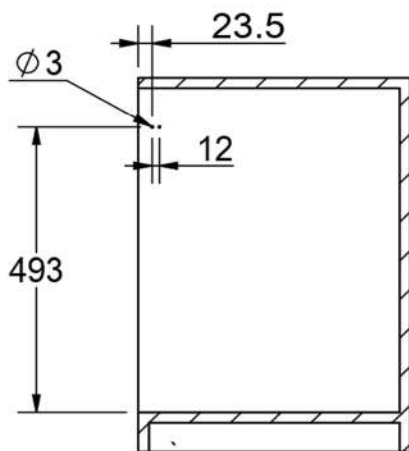


Product Size and Cabinet Width

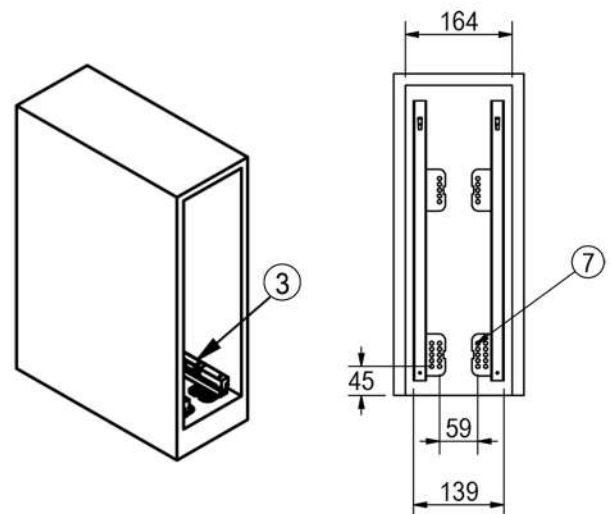
 NOTE: Make sure to drill holes for part (9) before mounting this product. See Step 1.



STEP 1 Drilling measurements (side view)



STEP 2 Mount sliders on cupboard base

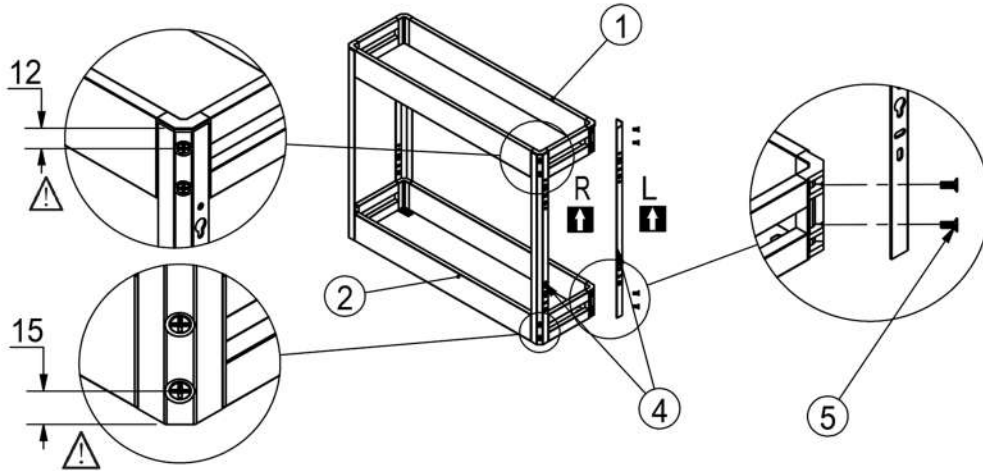


ELITE Chef Kitchen Pull Out Cupboard Organiser

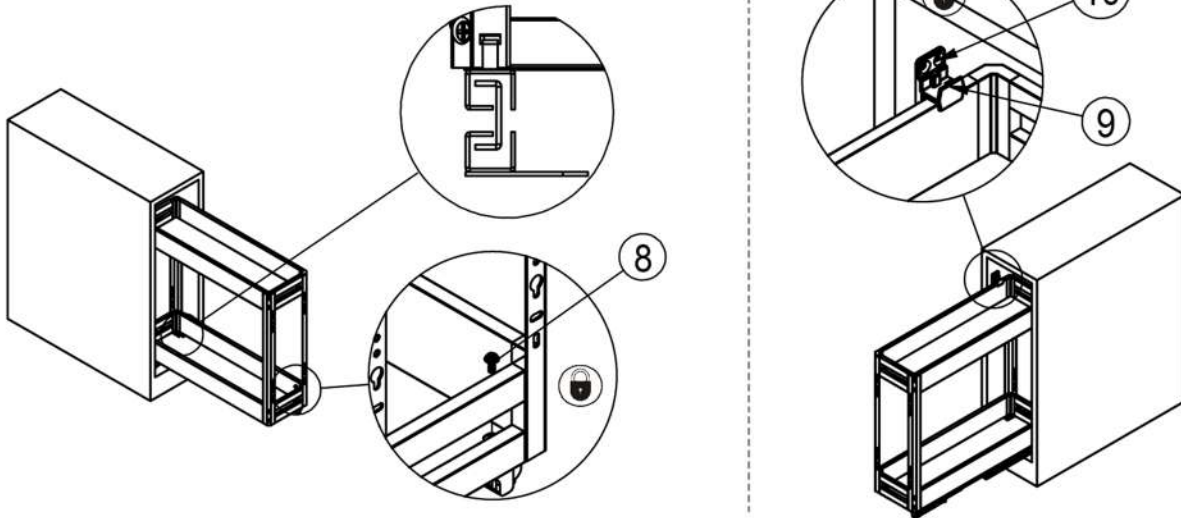
Bottom Mount - Suits 200mm Cabinet



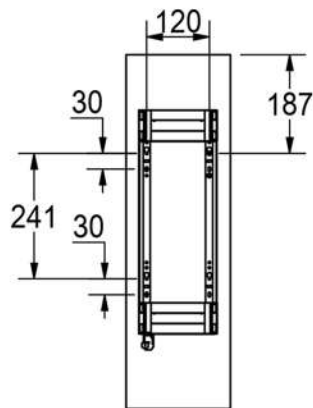
STEP 3 Assemble baskets and affix mounting screws.



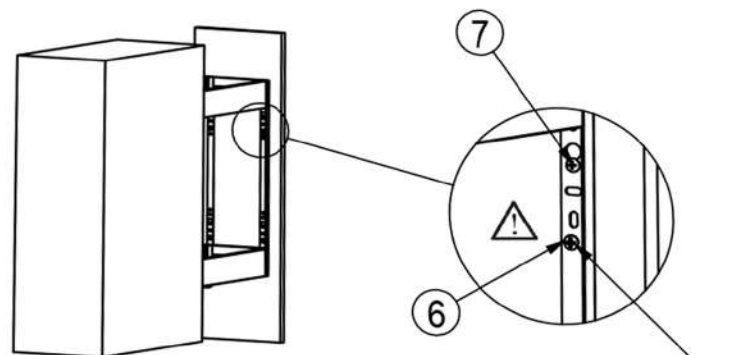
STEP 4 Affix baskets on to slide rails. Install parts and secure screws.



STEP 5
Install the cupboard door as follows. Adjust alignment before securing it with screws.



Drilling measurements



Adjust the door's vertical alignment