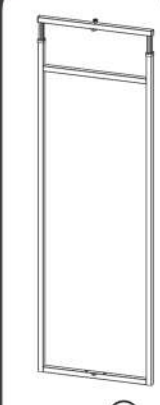














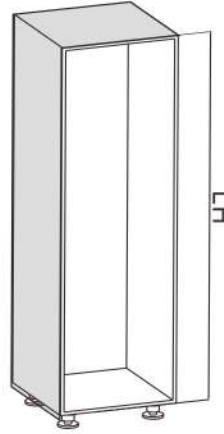
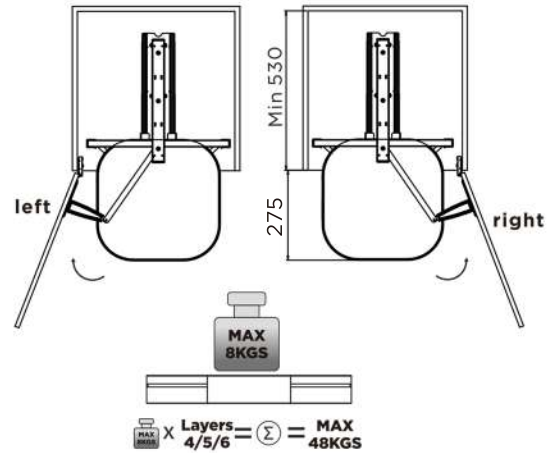
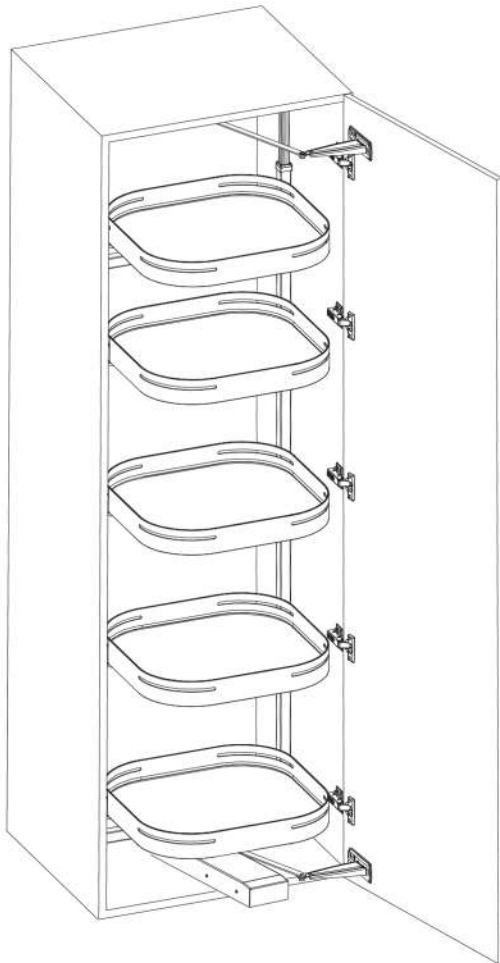


Parts List

	x1	x2	x2	x2
				
	②	③	④	⑤
	x2	x2	x1	
				
	⑥	⑦		
	x2	x2	x19	
				
⑧	⑨	⑩		
x4	x2	x1		
				
⑪	⑫	⑬		
	x1	x1		
⑭a	⑮	⑯		
Layers				
				
⑭b				



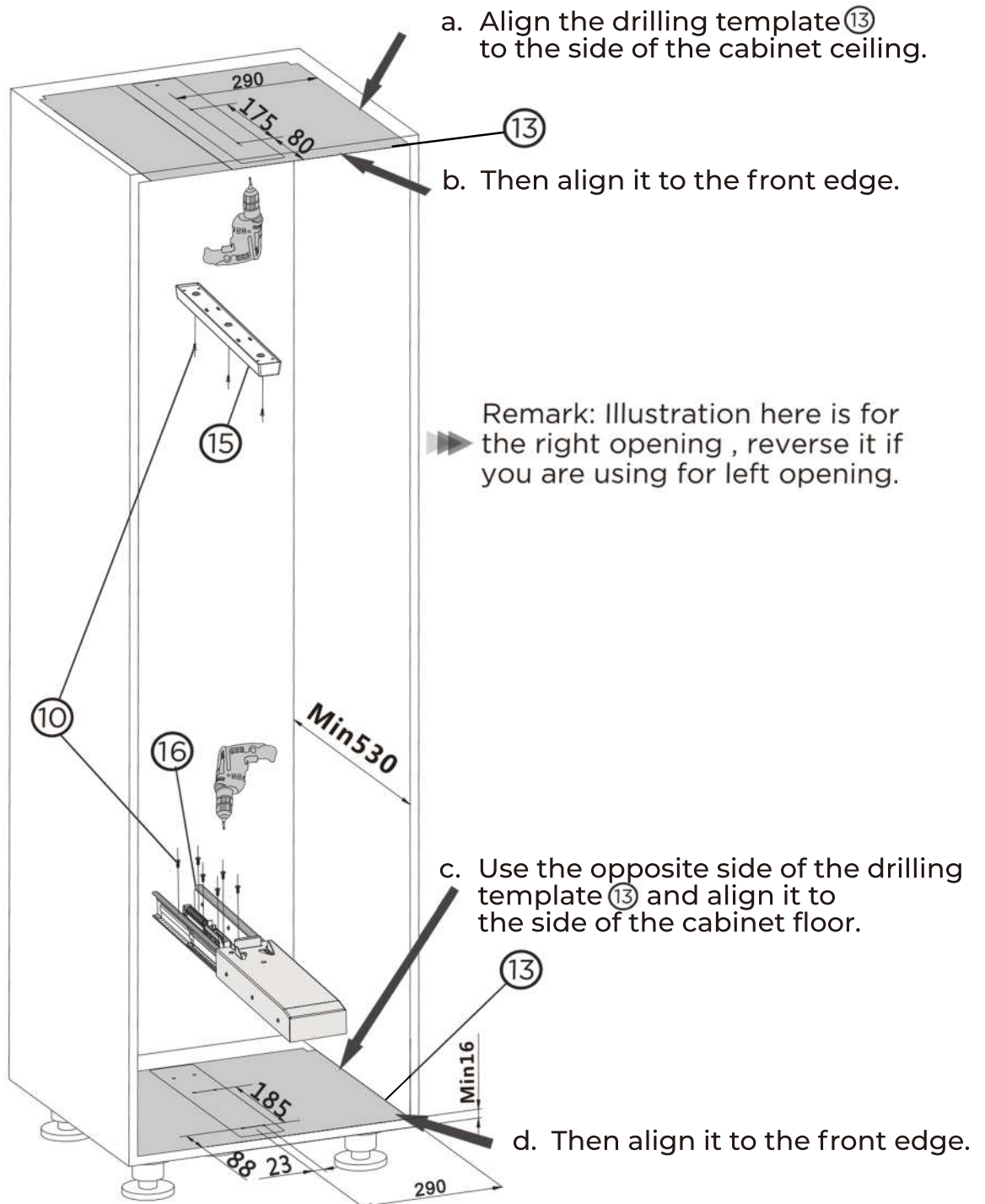
Layers	L	H
4 layers		1400-1700
5 layers		1700-2000
6 layers		2000-2300



FEATURES

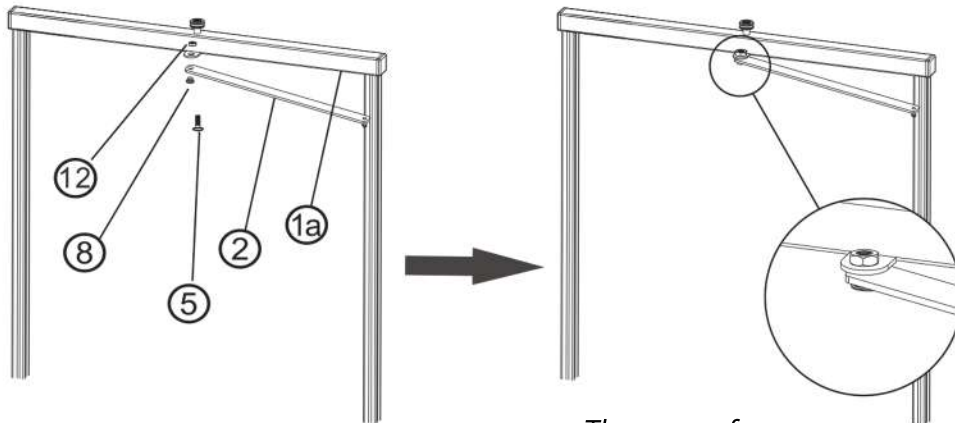
- Rotatable, self-return trays
- Adjustable tray positions
- Adjustable frame heights:
Low: 1375-1675mm
High: 1675-1975mm
Very High: 1975-2275mm
- Soft close heavy duty runner
- Up to 8kg load per tray
- Full extension display

1 Installation of top and bottom runners

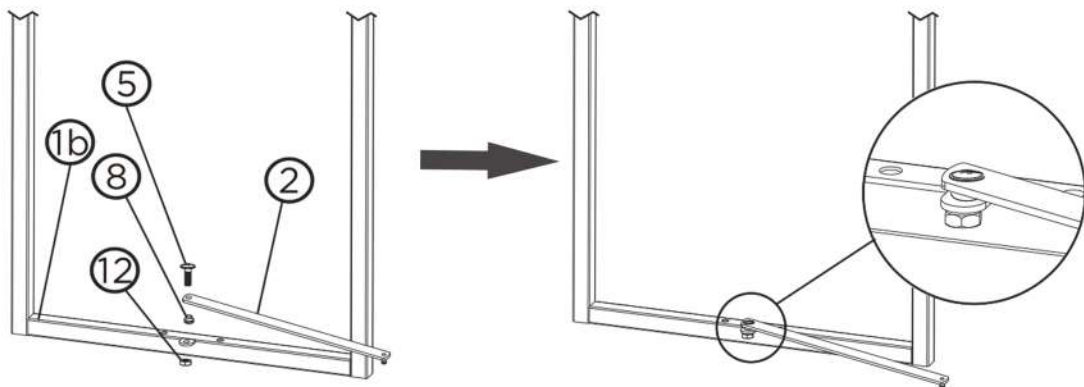


2 Assembly of frame's connecting parts

Affix the upper and lower connecting bars.
Fasten the screw and nut tightly.

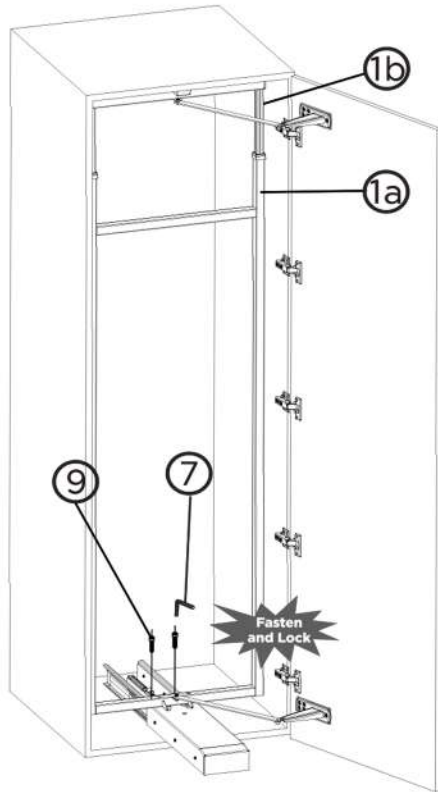


» The screw for upper connecting bar should face up.



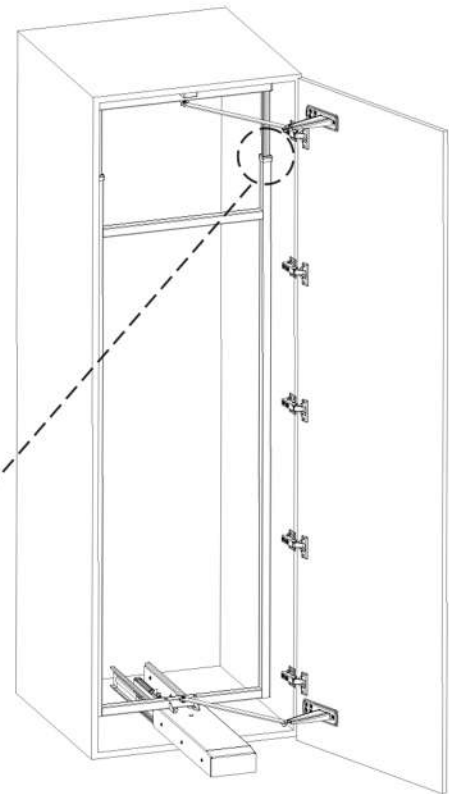
» The screw for lower connecting bar should face down.

3 Installation of frame

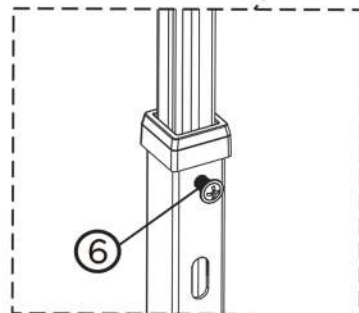


- a. Assemble parts 1a and 1b first, then affix the frame to the top runner.

- b. Extend the frame down according to your cabinet height. Fasten the M8*35 screws on both sides of the bottom runner using the provided allen key.



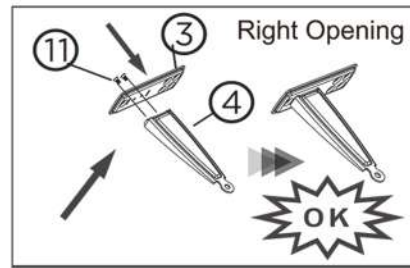
- c. Tighten the M6*12 locking screws on both sides.



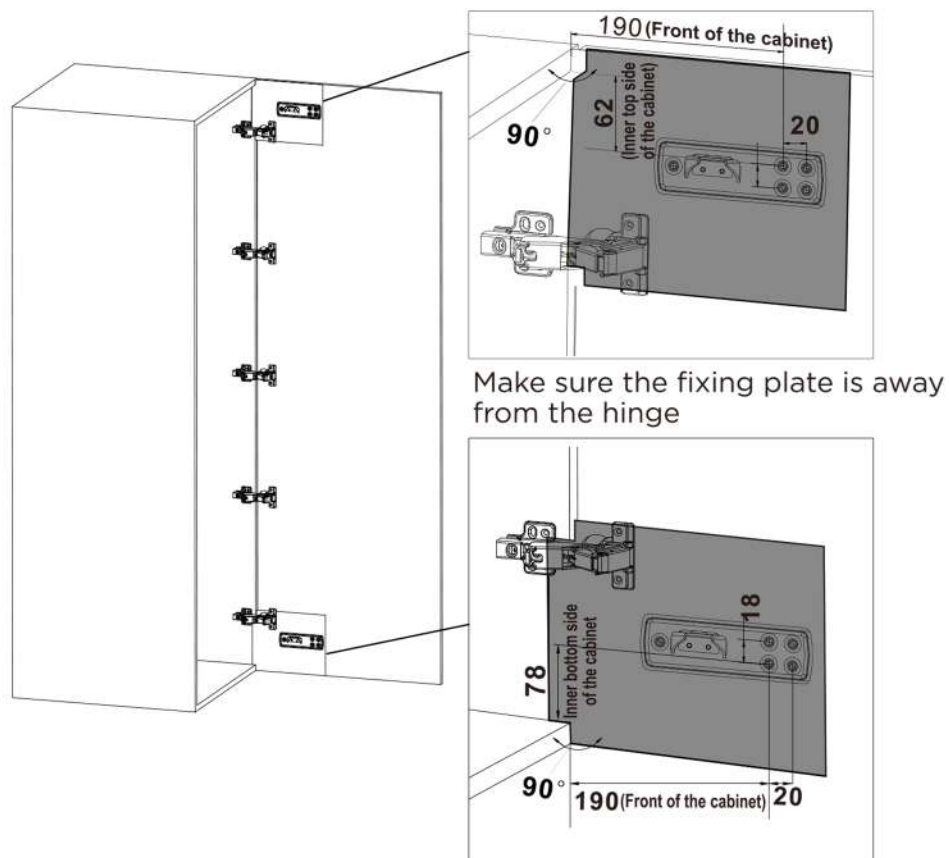
4 Installation of door panel

- a. Assemble each bracket to the door panel fixing plate.

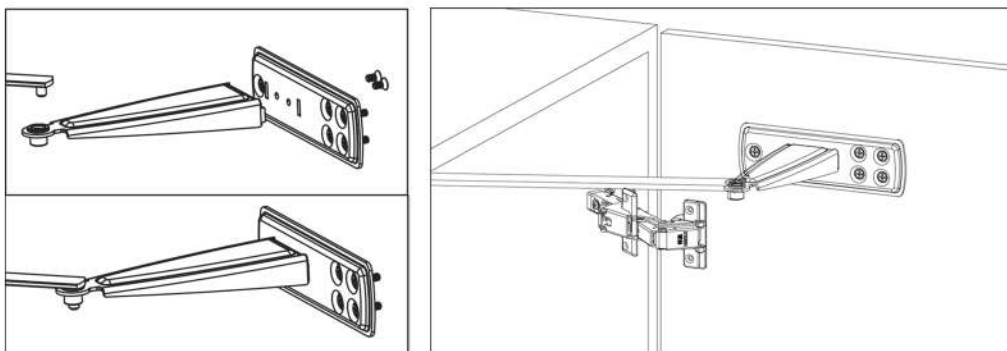
Remark: The drawing on the left hand side is for the right opening (If the cabinet is left opening ,you need to reverse the part ④)



- b. Connect the brackets to the door panel fixing plate.



- c. Connect the bar to the brackets.



5 Installation of baskets

Place the baskets in the pantry frame. Secure placement by ensuring basket hooks are properly fixed on the frame holes. Each basket can be installed according to the desired height so it can accommodate pantry items of different sizes.

Complete the installation by placing the anti-slip mats.

