
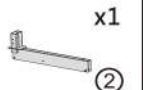

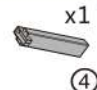

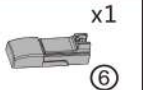


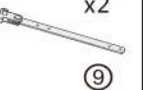

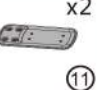




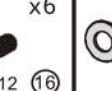



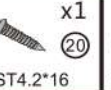
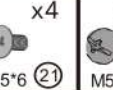
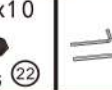

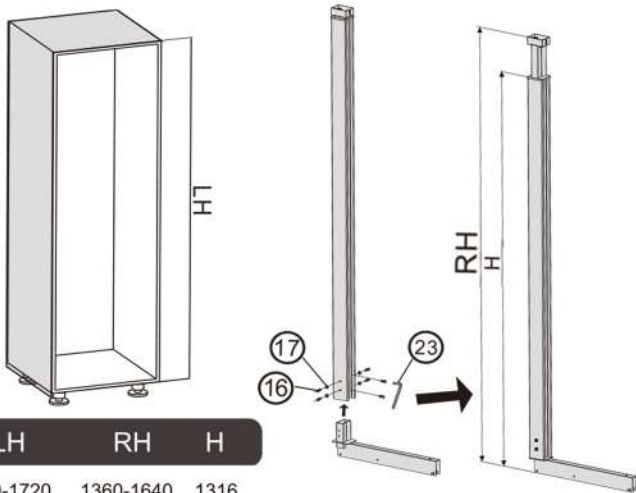


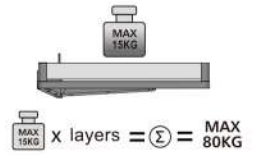
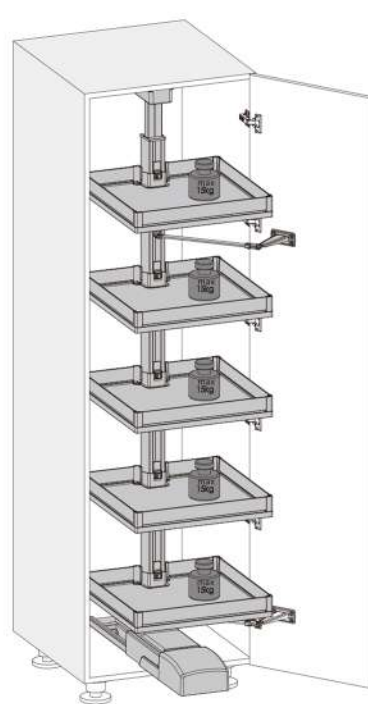
HGPOP2-S-CFG, HGPOP2S-S600HI, HGPOP2S-S600VH

Accessories

 x1 ①	 x1 ②	 x1 ③	 x1 ④		
 x1 ⑤	 x1 ⑥	 x 4 / 5 / 6 ⑦			
 x2 ⑧	 x2 ⑨	 x2 ⑩	 x2 ⑪		
 x1 ⑫	 x 5 / 6 ⑬	 x1 ⑭	 ST3.5*16 x24 ⑮	 M6*12 x6 ⑯	 x4 ⑰
 M6*20 x1 ⑱	 M6*12 x2 ⑲	 ST4.2*16 x1 ⑳	 M5*6 x4 ㉑	 M5*6 x10 ㉒	 x2 ㉓

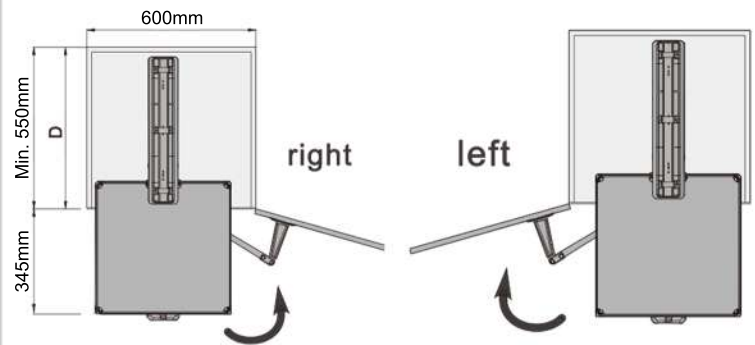


LH	RH	H
1420-1720	1360-1640	1316
1720-2020	1660-1940	1616
2020-2320	1960-2240	1916



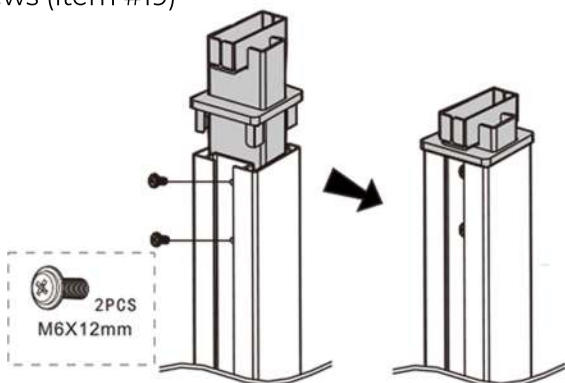
Product matches 165° soft closing hinge

Layers	Hinge Qty
4	5
5	6
6	6

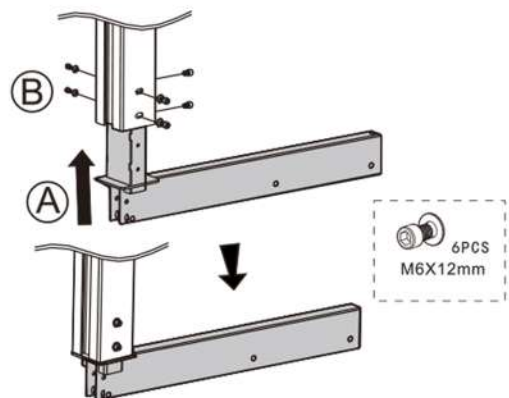


Frame component assembly

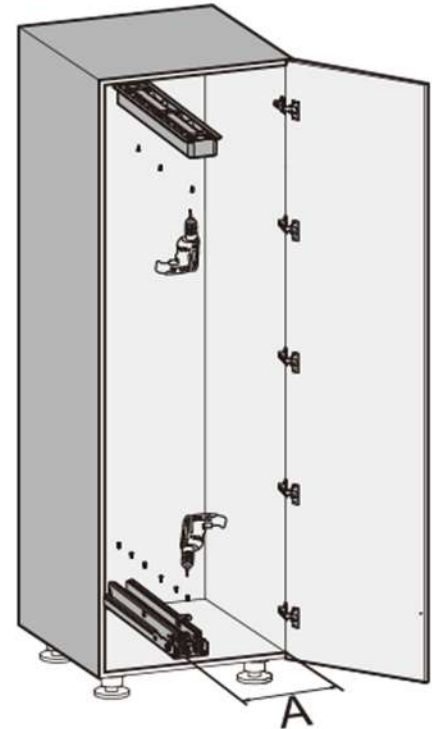
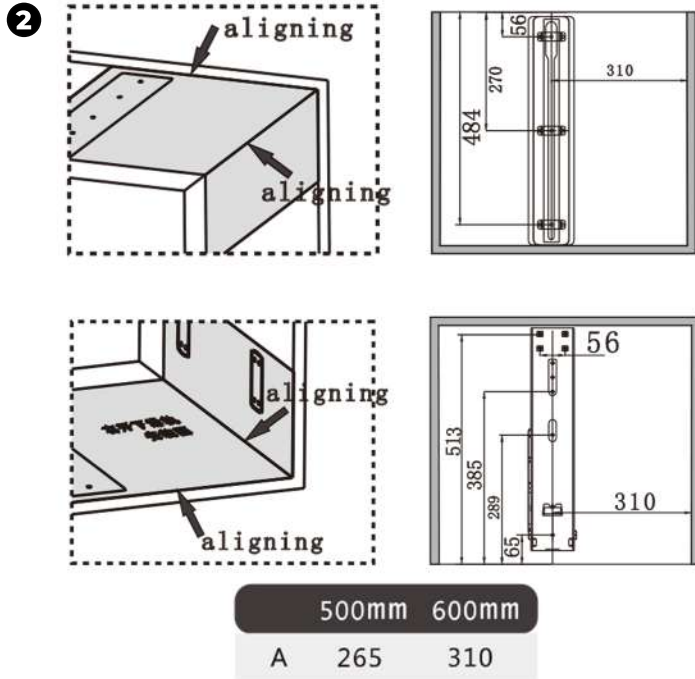
1 Assemble the adjustable upper tube and secure in place with two pieces of M6*12mm screws (item #19)



Assemble the bottom portion of the frame and secure in place with six pieces of M6*12mm screws (item #16)

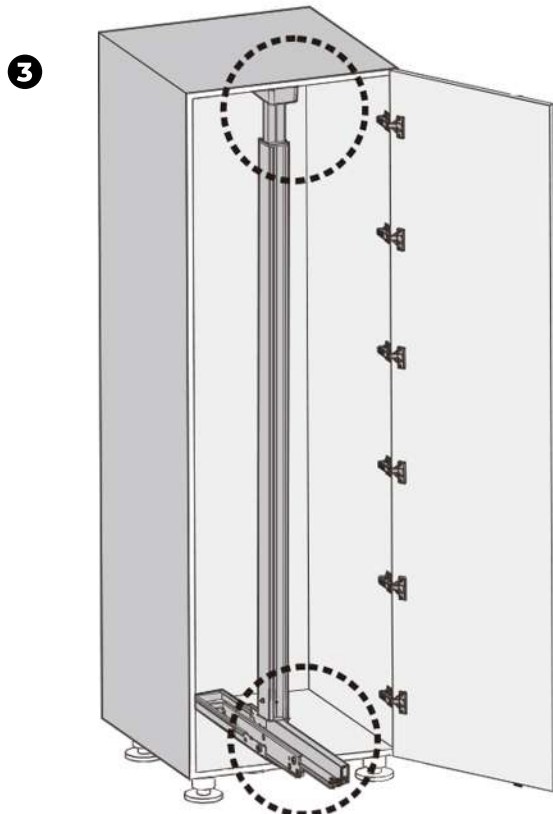


Sliders installation



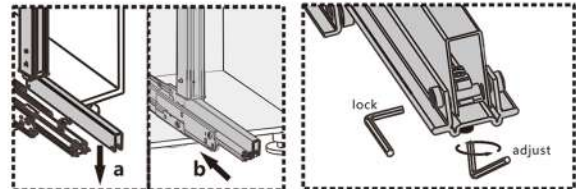
NOTE: The above diagram is for the right opening variant and is symmetrical with the left opening option.

Frame installation to the sliders



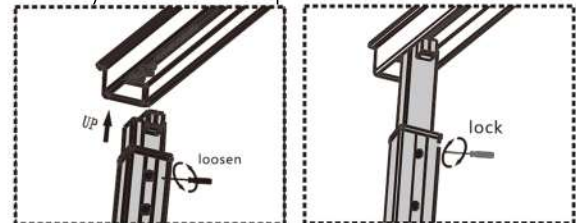
(a) Align the bottom part of the frame to the bottom-mounted slider.

(b) Once laid on the slider, push the frame further backwards to secure in place

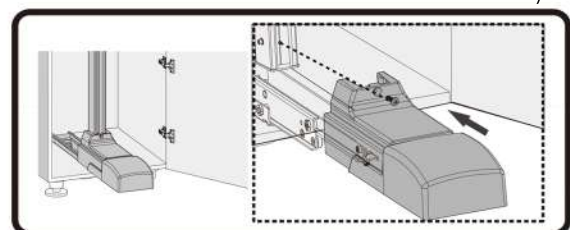


(a) Extend the frame to desired height and align to the top-mounted slider.

(b) Once attached to the slider, screw the frame as illustrated to secure it in place.

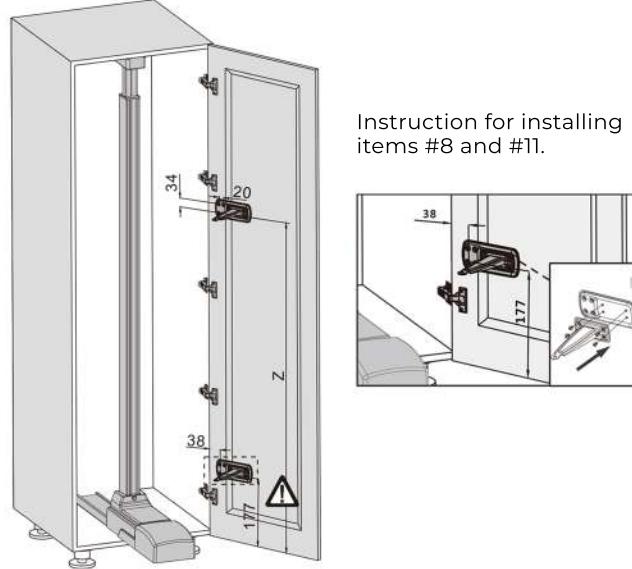
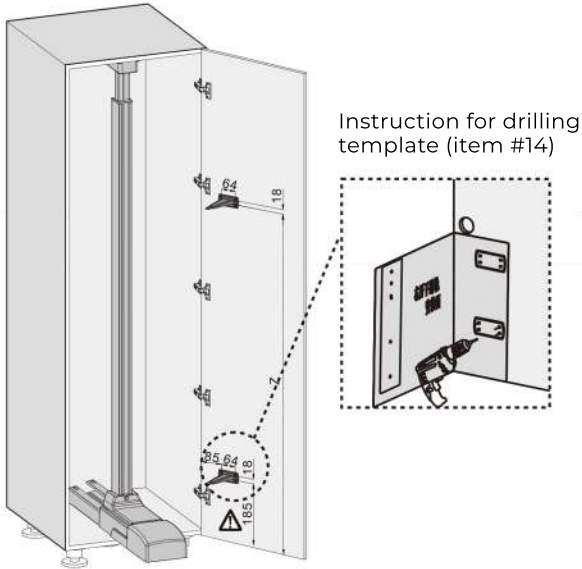


Slide the decorative cover (Item # 6) into the bottom slider to hide and secure the frame connection)



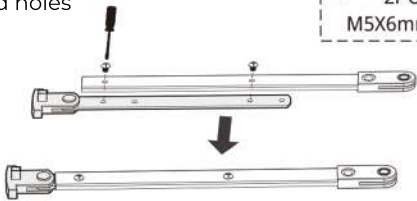
►► Affixing the cabinet door panel

4.1 Install connecting bar fitting.

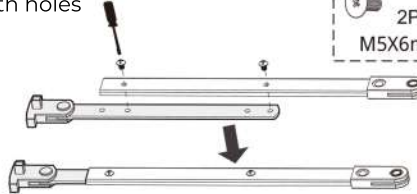


4.2 Install the connecting bolt.

For the 500mm cabinet, connect the bolt through the first and third holes

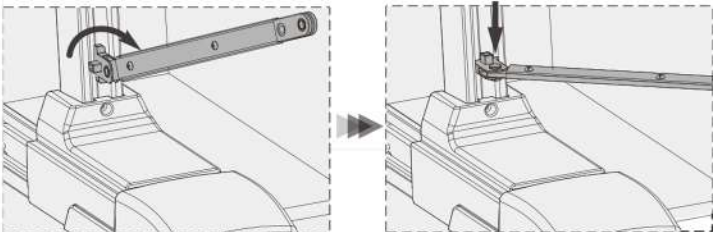


For the 600mm cabinet, connect the bolt through the second and fourth holes

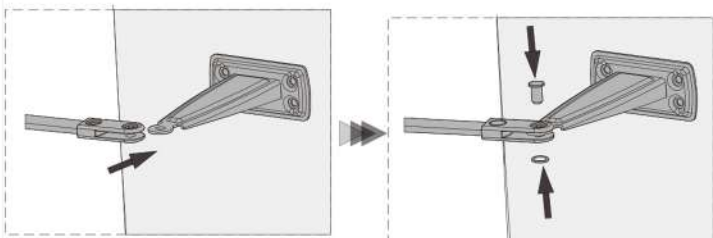


LH	Z
1250	1165
1550	1465
1850	1765

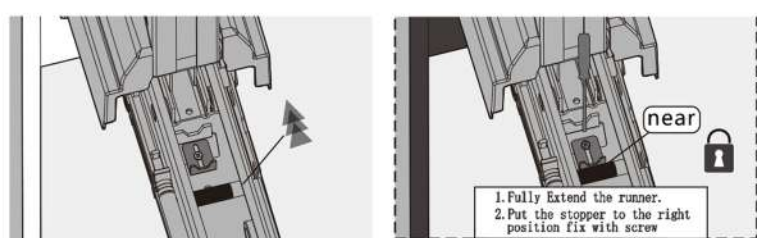
4.3 Install the connecting bar (Item #9).



Then attach the connecting bar to item #8 as shown below.

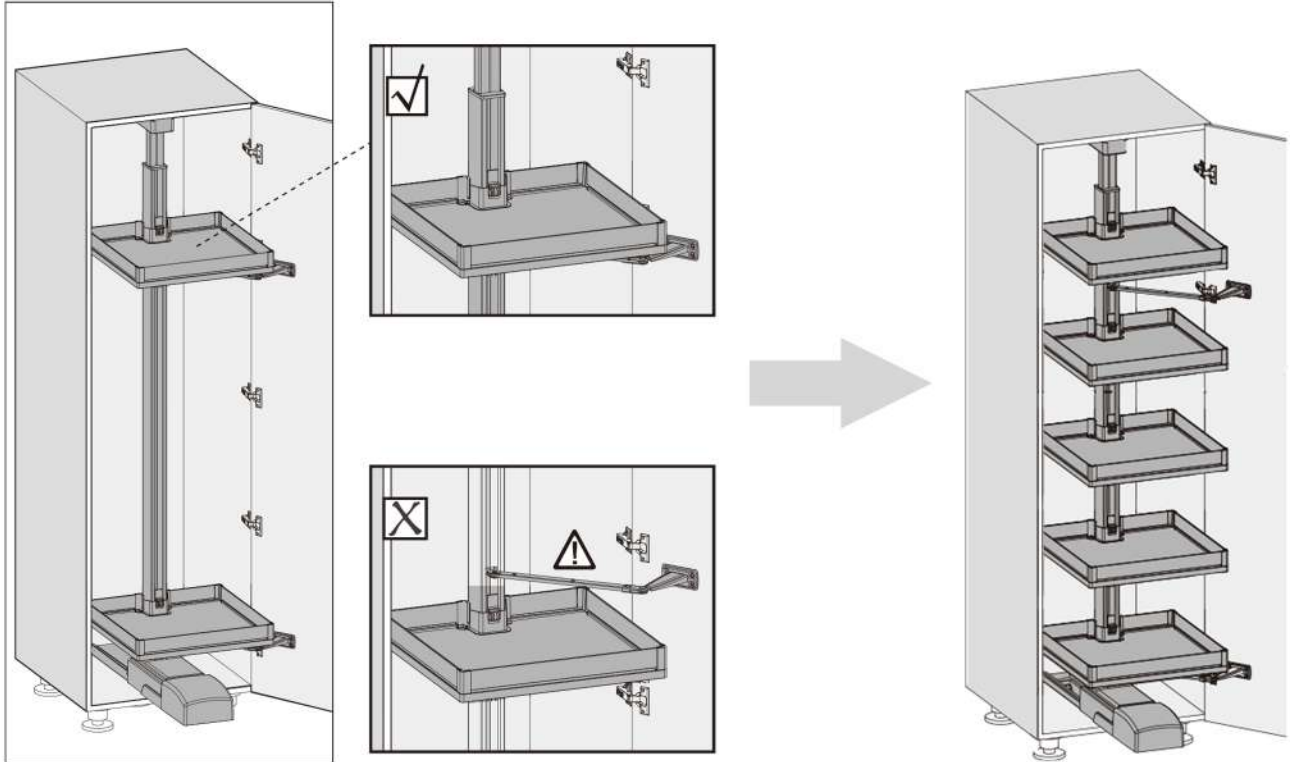


4.4 Secure the stopper into the runner as shown below.



▶▶ Installing the trays into the frame

- 5** Ensure the top tray is positioned on top of the bar connectors, and not beneath it.



Secure each tray in place with the lock knob as shown in the illustration below.

