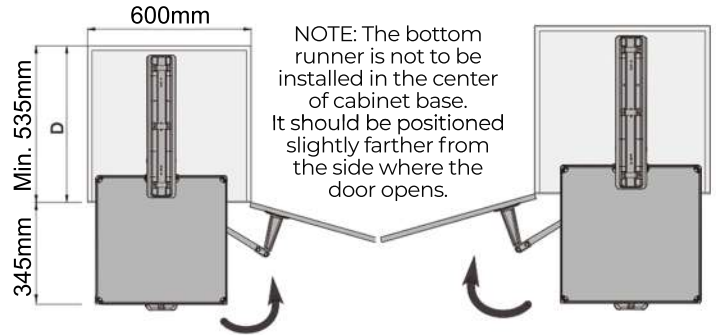


#### Parts List

|  |    |  |      |  |    |  |     |
|--|----|--|------|--|----|--|-----|
|  | x1 |  | x1   |  | x1 |  | x1  |
|  | x1 |  | x2   |  | x2 |  | x4  |
| The accessories are pre-installed and adjusted according to the cabinet during installation. |    |  |      |  |    |  |     |
|  | x1 |  | x5/6 |  | x2 |  | x5  |
|  | x2 |  | x2   |  | x2 |  | x7  |
| Disassemble before installation  |    |  |      |  |    |  | x7  |
|  | x2 |  | x2   |  | x1 |  | x22 |
|  | x4 |  |      |  |    |  |     |

| LH        | RH        | H    |
|-----------|-----------|------|
| 1720-2020 | 1605-1905 | 1578 |
| 2020-2320 | 1905-2205 | 1878 |

#### Cabinet Requirements



Product matches 165° soft closing hinges—we recommend to use these hinges for better functionality of the pantry unit

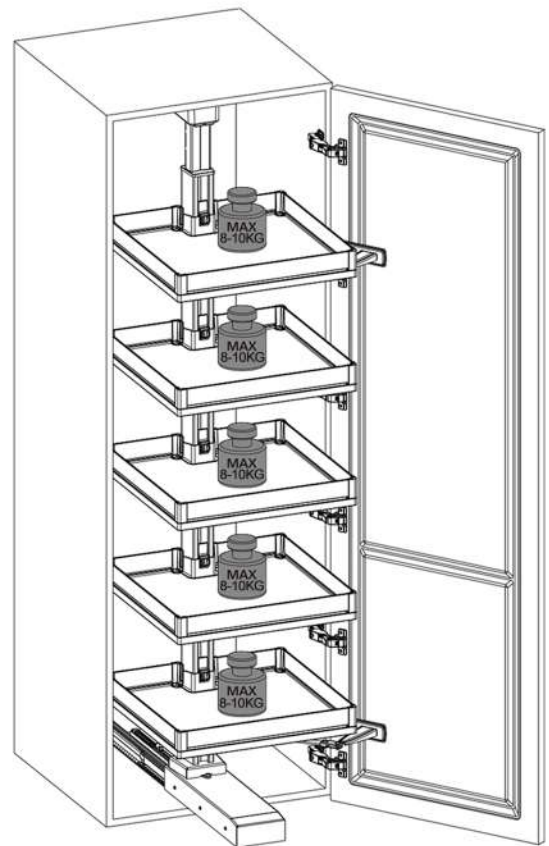
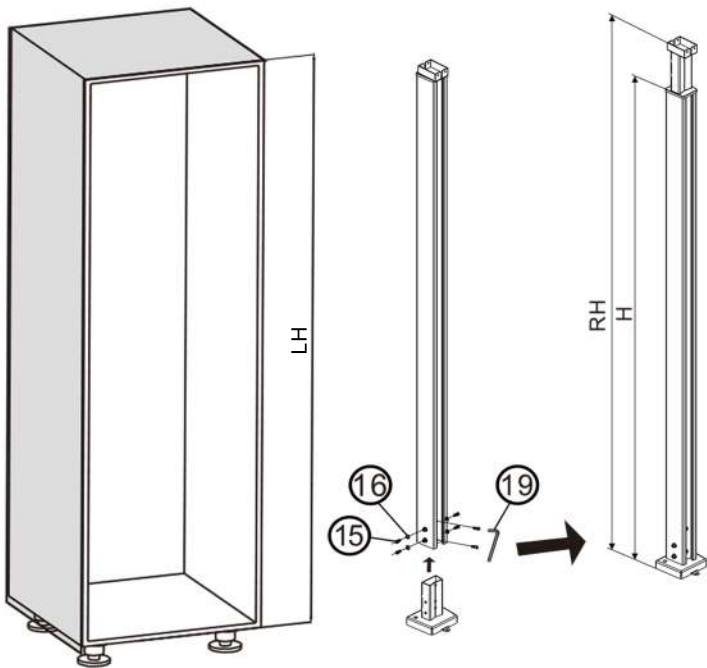


| Layers | Hinge Qty |
|--------|-----------|
| 4      | 5         |
| 5      | 6         |
| 6      | 6         |

Loading capacity of tray

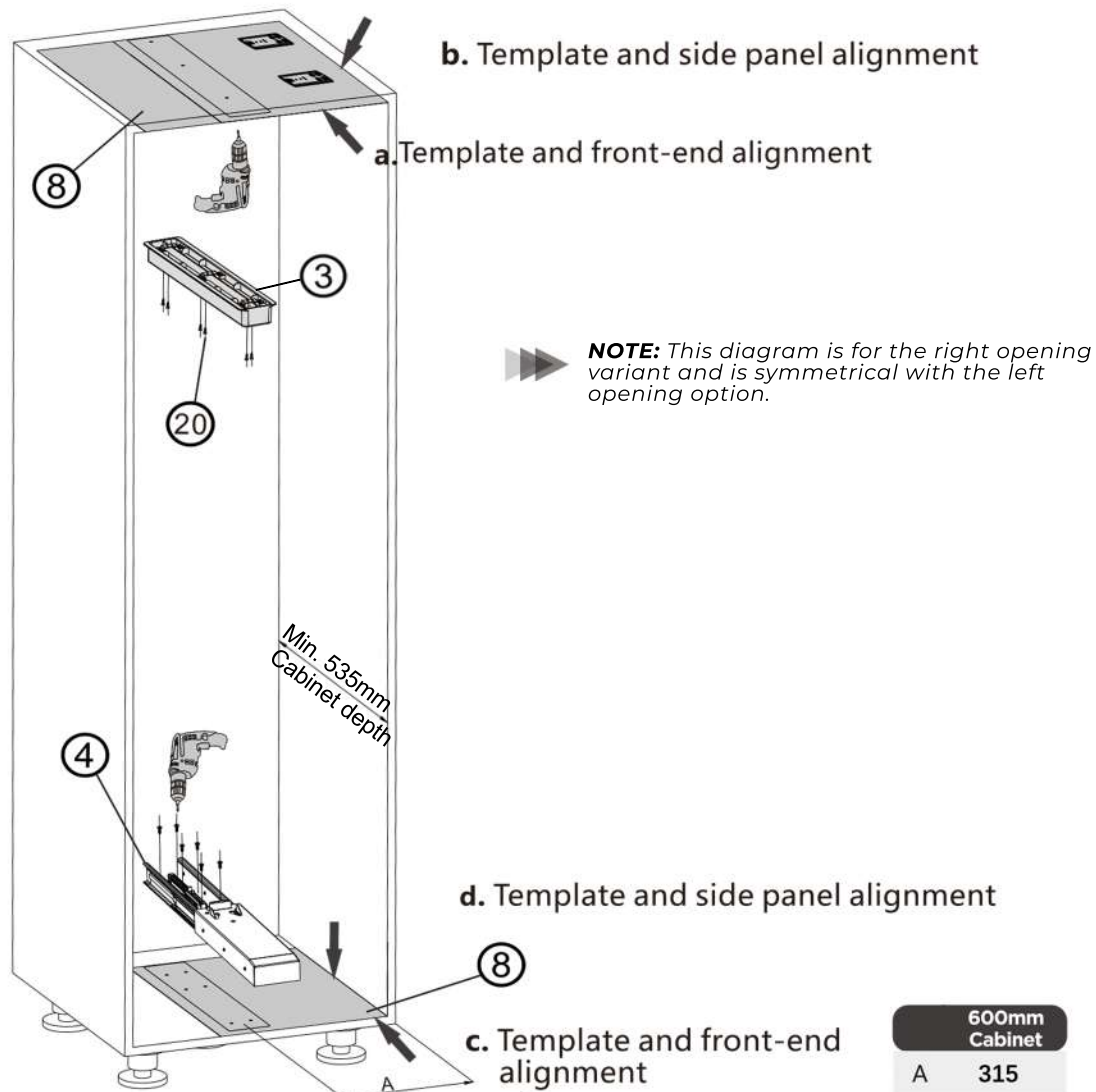


Max. loading capacity of rail = 70kg



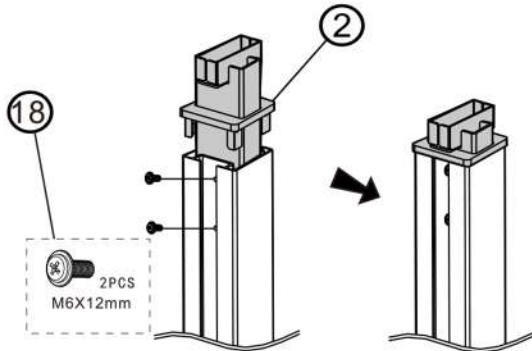
#### ▶▶▶ STEP 1. Installation of runners

- 1.1. Align the ⑧ drilling template to the cabinet ceiling and base.
- 1.2. Drill holes according to the drilling template.
- 1.3. Fasten the ③ top runner and ④ bottom runner each with 6pcs of ②① ST4\*16 screws.

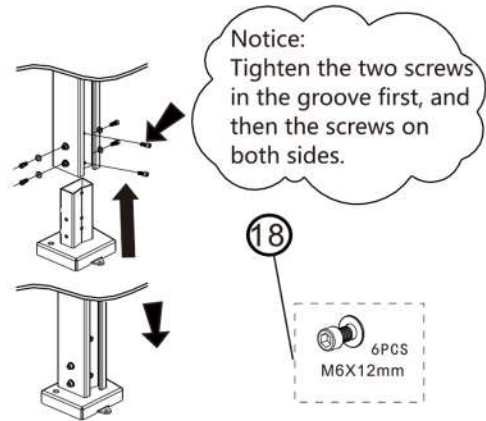


#### STEP 2. Frame component assembly

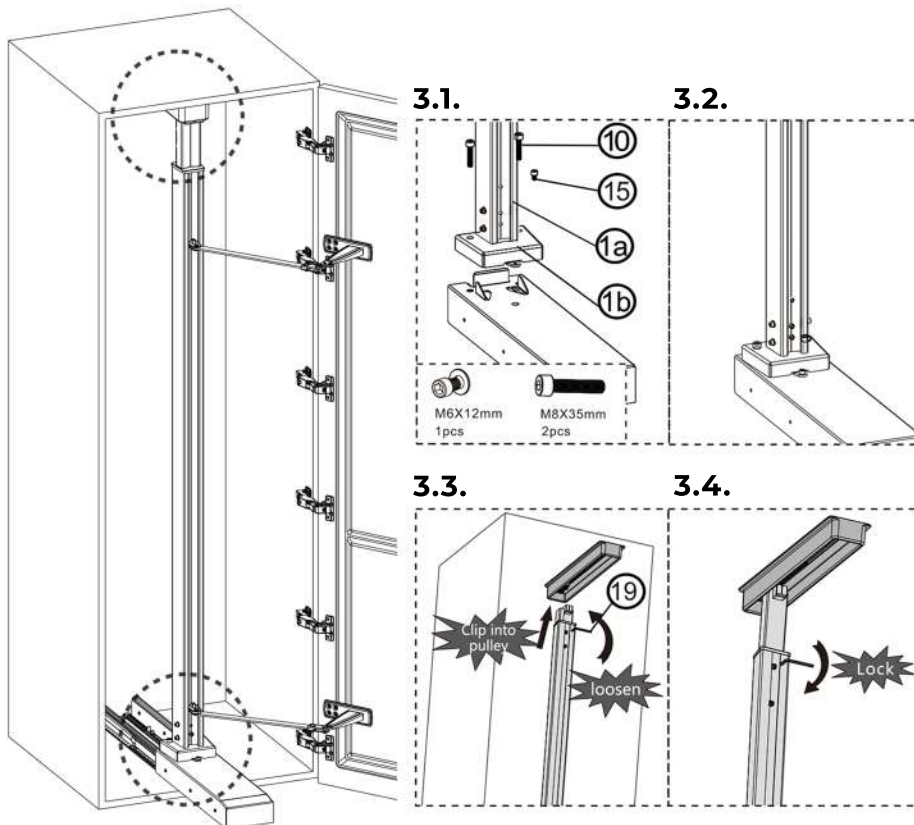
**2.1.** Assemble the ② adjustable upper tube and secure in place with 2pcs of ⑱ M6\*12 screws.



**2.2.** Assemble the ①b bottom portion of the ①a frame and secure in place with 6pcs of ⑱ M6\*12 screws.



#### STEP 3. Installation of frame to runners



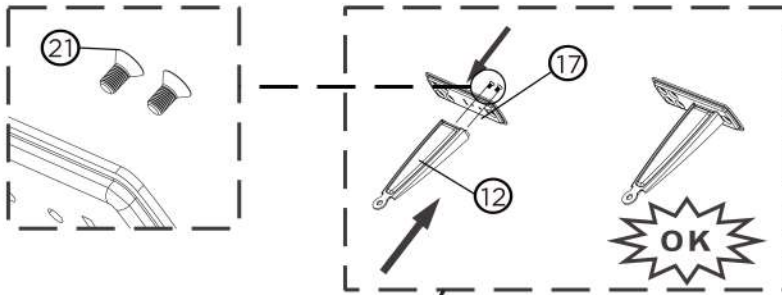
**3.1.** Align the bottom part of the ①a ①b frame to the rear of ④ bottom runner.

**3.2.** Secure with 2pcs of ⑩ M8\*35 and 1pc of ⑮ M6\*12 screws.

**3.3.** Loosen the top part of the frame using the provided ⑲ allen key. Extend the frame to the desired height and align to the ③ top runner.

**3.4.** Once attached to the top runner, lock the frame back to secure it in place.

#### ▶▶ STEP 4. Affixing the cabinet door panel

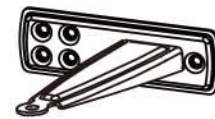


- 4.1.** Assemble the connecting bar fitting by securing parts ①⑦ ①② with 2pcs of ②① M4\*8 screws.

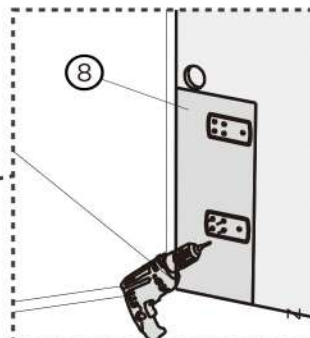
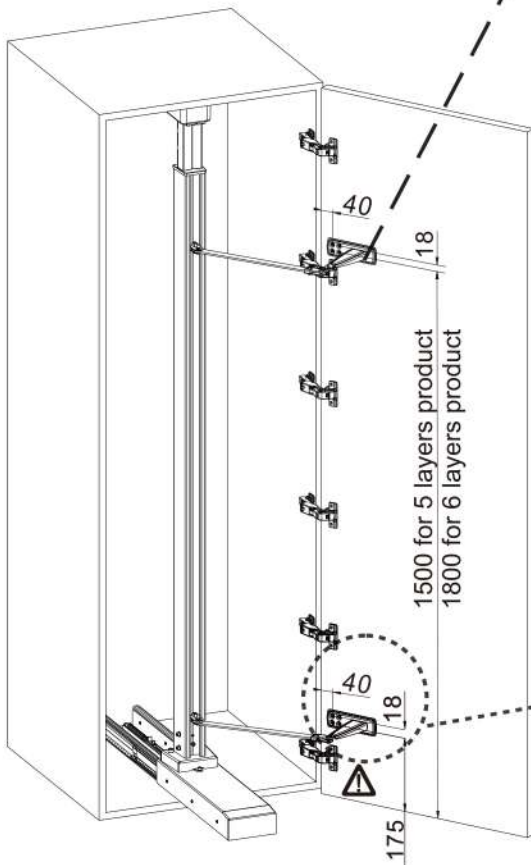
Note: The lever base can be used for solid wood doors with a frame of  $\geq 60$



If the door opens to the left, install the fitting in this direction.



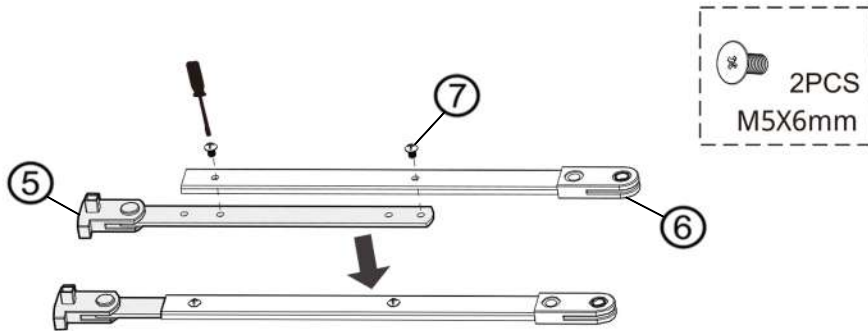
If the door opens to the right, install the fitting in this direction.



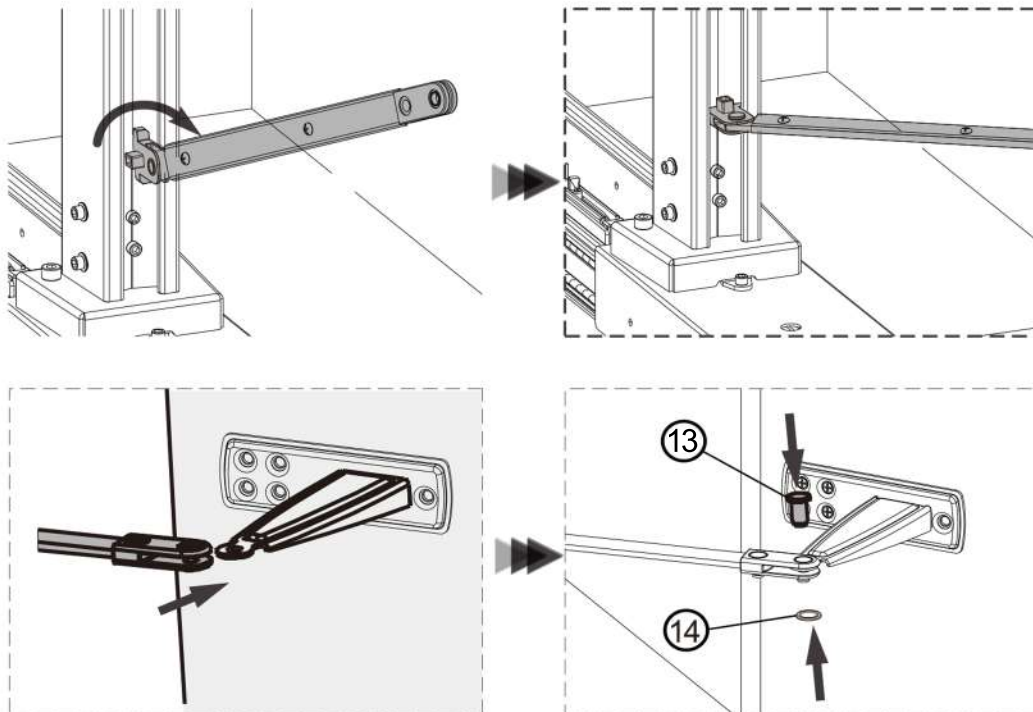
- 4.2.** Install the assembled connecting bar fitting and 5/6pcs of ①① hinges using the ①⑧ drilling template.

### ▶▶ STEP 4. Affixing the cabinet door panel

- 4.3.** Assemble and secure the ⑤⑥ connecting bars with 2pcs of ⑦ M4\*8 screws through the second and fourth holes.

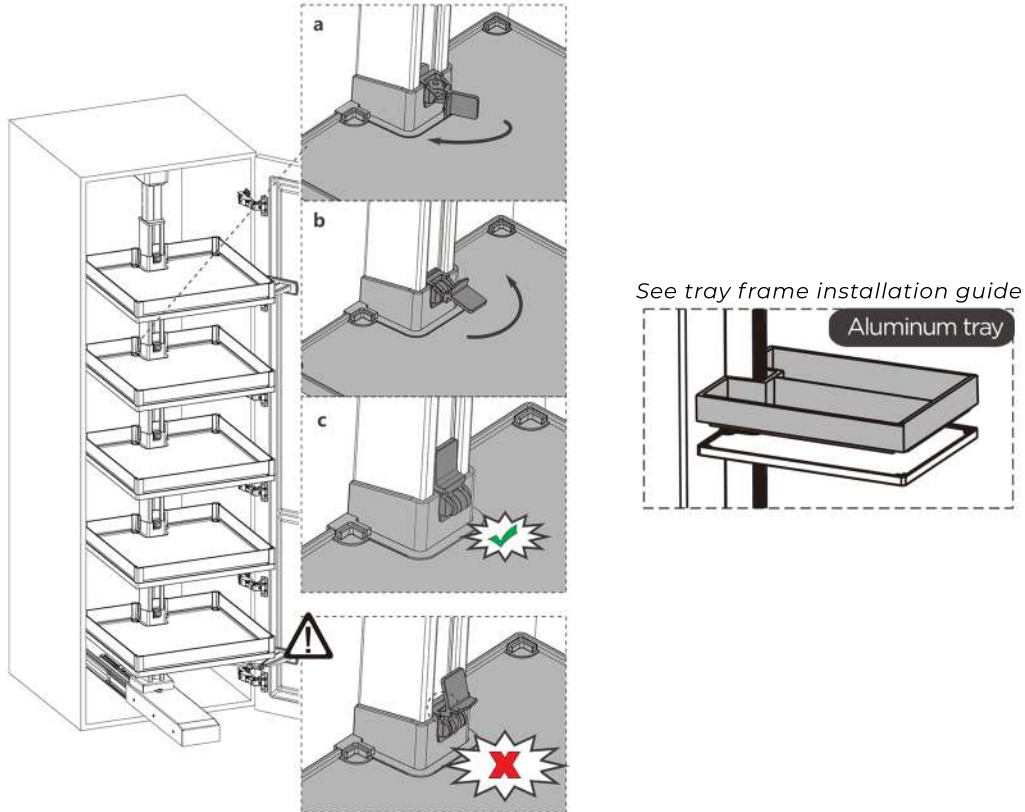


- 4.4.** Install the assembled connecting bar to the frame and attach it to the connecting bar fitting using parts ⑬⑭.



#### ▶▶ STEP 5. Installation of trays

5.1. Secure each ⑨ tray in place with the lock knobs.



5.2. Ensure the top and bottom trays are positioned above the connecting bars, and not below them. *Installation complete.*

