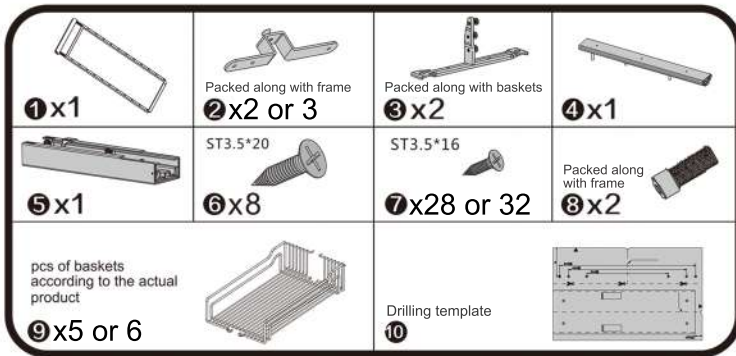


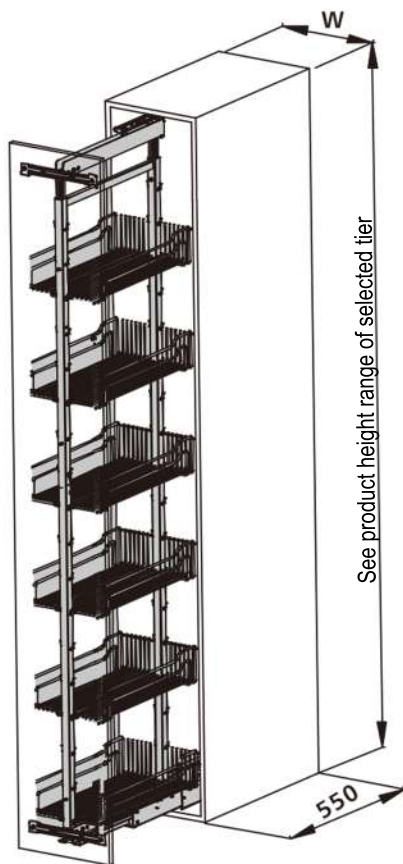
HGPOP-S-CFG, HGPOP-SR-CFG
HGPOP-D-CFG, HGPOP-DR-CFG

Parts List



This installation manual is for the following cabinet and height models:

CABINET	WIDTHxDEPTHxHEIGHT	NO. OF BASKETS
300mm	250x510x(1659-2059)mm	5
300mm	250x510x(1959-2359)mm	6
400mm	350x510x(1659-2059)mm	5
400mm	350x510x(1959-2359)mm	6



FEATURES

- Four styles of tray design*
- Soft close heavy duty runner
- Two widths to suit standard cabinets:
300mm (268mm internal)
400mm (368mm internal)
- Adjustable frame heights:
High: 1659-2059mm
Very High: 1959-2359mm
- Adjustable tray positions
- Up to 8kg load per tray
- Full extension display

*TRAY SHELF STYLES

Note: Shelf style in diagram may differ from your model



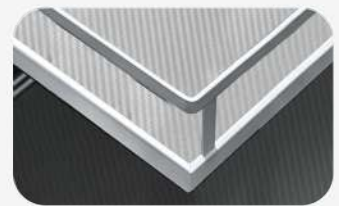
Shearer Style
Aerospace grade aluminium with MDF base and anti-slip mats



Shearer PRO Style
Aerospace-grade aluminium with non-slip textured MDF base



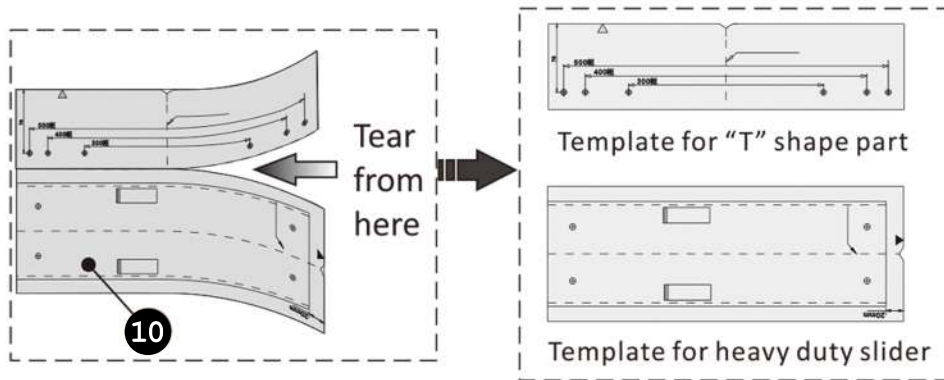
Diamond Style
Nano-coated grey railings with MDF base and anti-slip mats



Diamond PRO Style
Nano-coated grey railings with non-slip textured MDF base

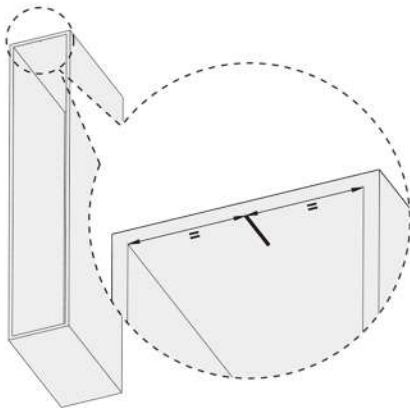
HGPOP-S-CFG, HGPOP-SR-CFG
HGPOP-D-CFG, HGPOP-DR-CFG

STEP 1. Drilling template

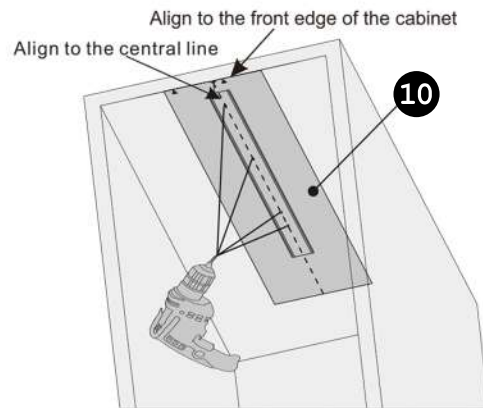


STEP 2. Installation of top runner

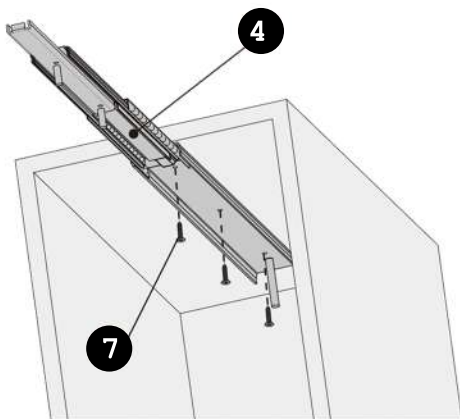
2.1. Draw the central line on the cabinet ceiling.



2.2. Drill 3x $\varnothing 2.5\text{mm}$ holes according to the 10 template.

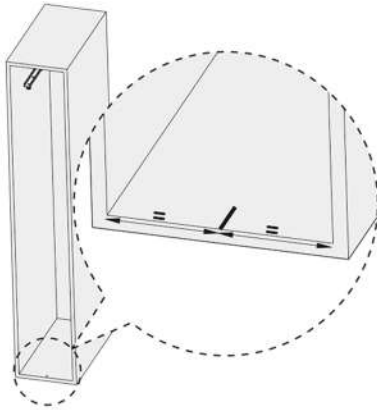


2.3. Fasten the 4 top runner with 7 3pcs of ST3.5*16 screws.

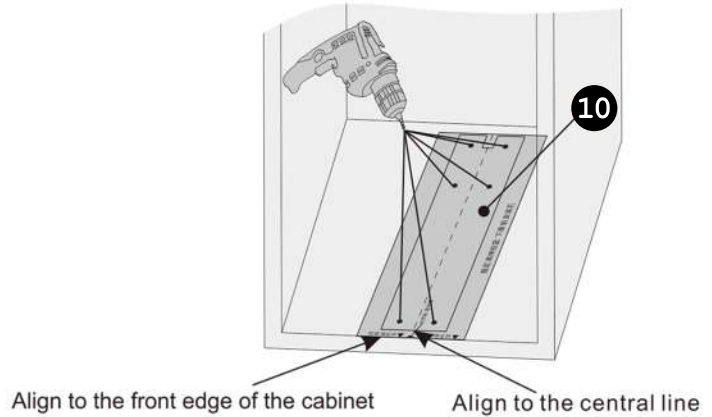


▶▶▶ STEP 3. Installation of bottom runner

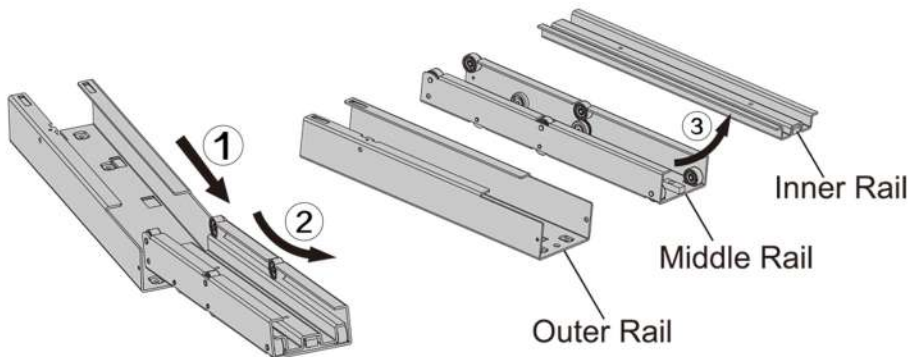
3.1. Draw the central line on the cabinet base.



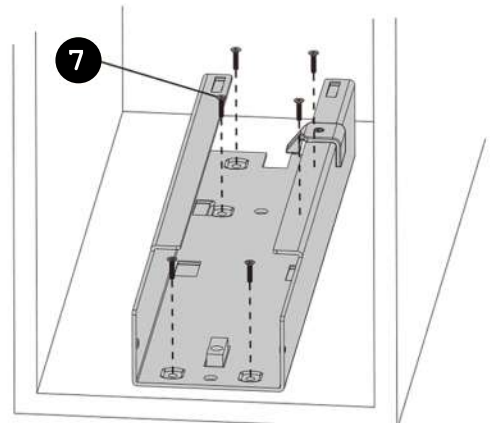
3.2. Drill 6x $\varnothing 2.5\text{mm}$ holes according to the **10** template.



3.3. Pull out the **5** runner until it separates into three individual parts.



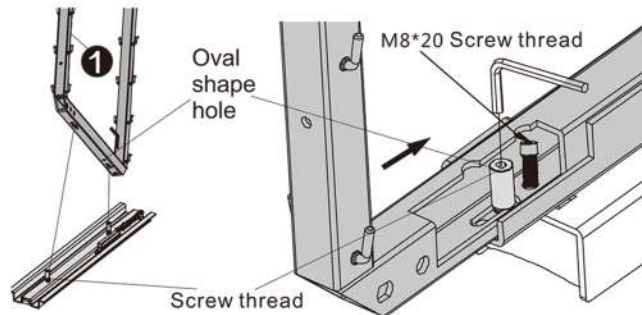
3.4. Fasten the outer rail with **7** 6pcs of ST3.5*16 screws.



HGPOP-S-CFG, HGPOP-SR-CFG
HGPOP-D-CFG, HGPOP-DR-CFG

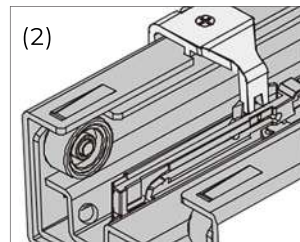
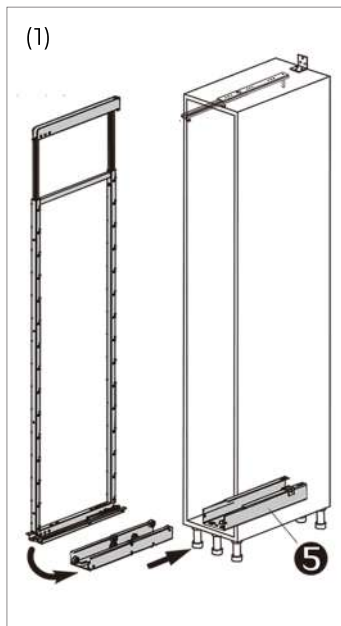
▶▶ STEP 4. Installation and adjustment of the frame

4.1. Combine the **1** frame with the inner rail.



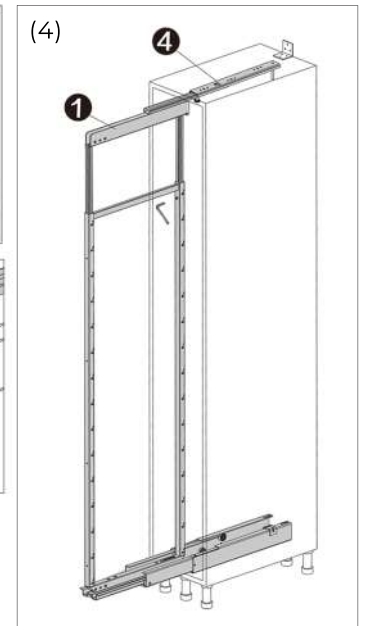
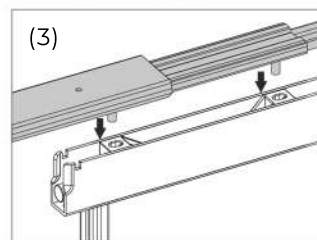
4.2. Assemble the heavy duty **5** bottom runner.

- (1) Insert the middle and inner rails to the outer rail.
- (2) Clean the runner before sliding it in and out.
- (3) After the installation is finished, pull the runner back and forth to ensure it is working properly.



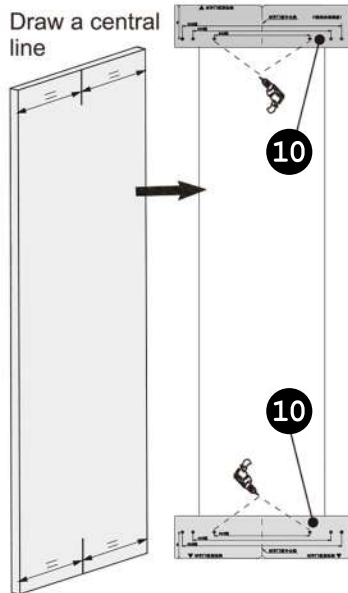
4.3. Connect the **1** frame to the **4** top runner.

- (1) Fully extend the top runner.
- (2) Loosen the frame's screw bolt and adjust the height.
- (3) Make sure that the roller of the top runner matches with the frame
- (4) Fasten the frame's screw bolt.



STEP 5. Installation of door panel

5.1. Draw and drill two holes on both end of the door panel.



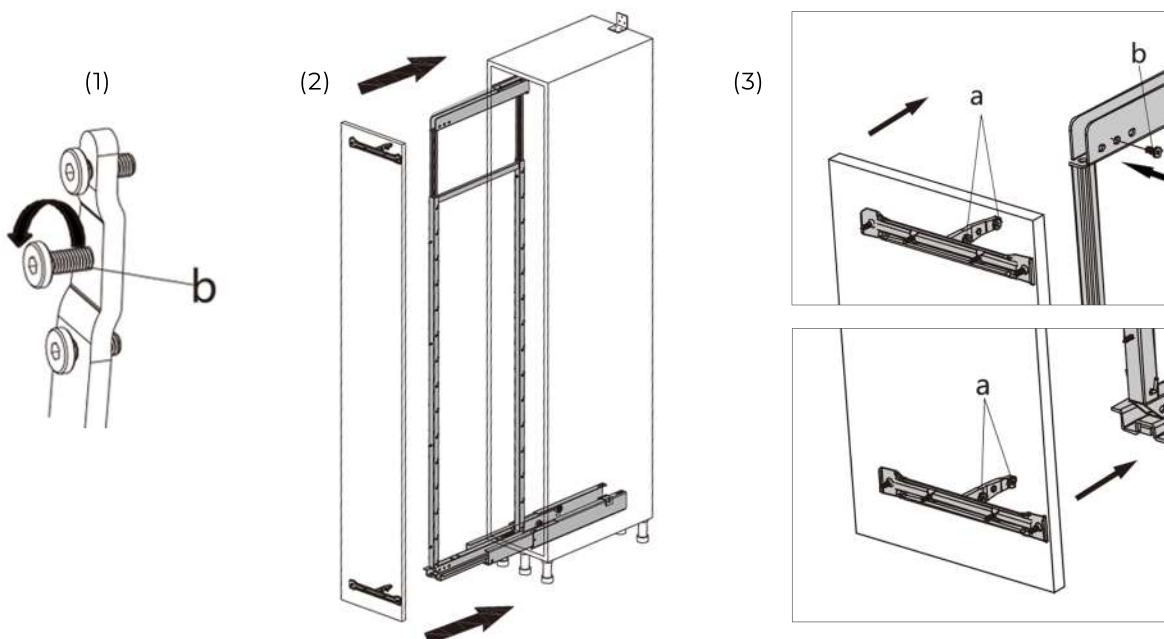
5.2. Install the **3** T-shape brackets.



Cabinet	Y
300	225mm
400	325mm

5.3. Attach the **3** T-shaped brackets to the **1** frame.

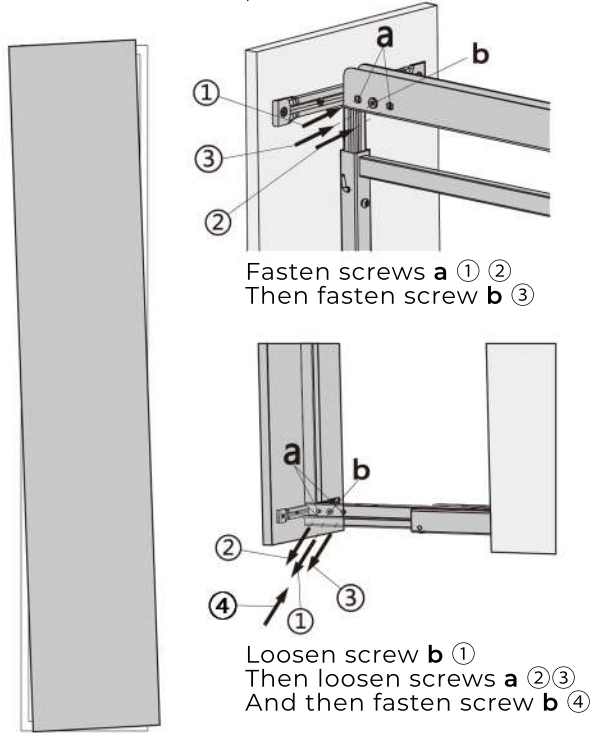
- (1) Loosen screw **b** on each of the T brackets.
- (2) Connect the frame with both upper and lower T brackets.
- (3) Secure the frame by fastening screw **b**.



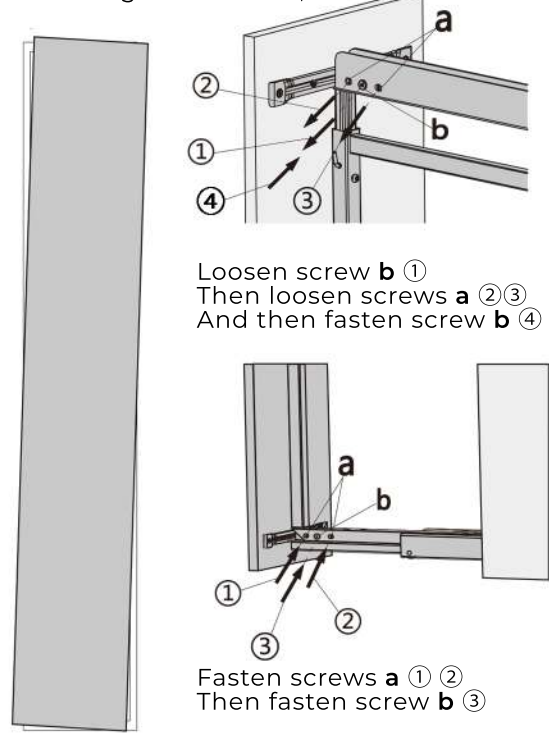
HGPOP-S-CFG, HGPOP-SR-CFG
HGPOP-D-CFG, HGPOP-DR-CFG

STEP 6. Adjustment of door panel

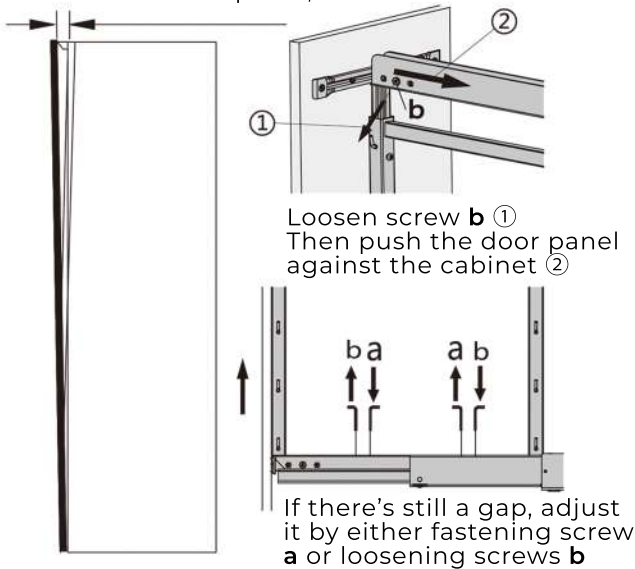
If the door panel is leaning
to the left hand side,



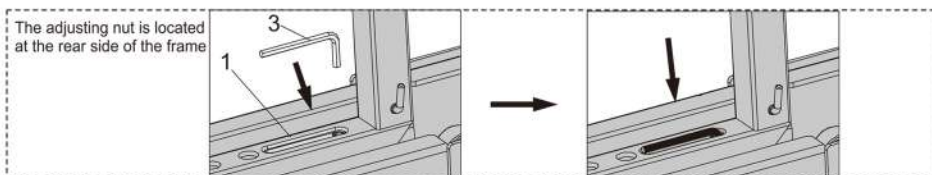
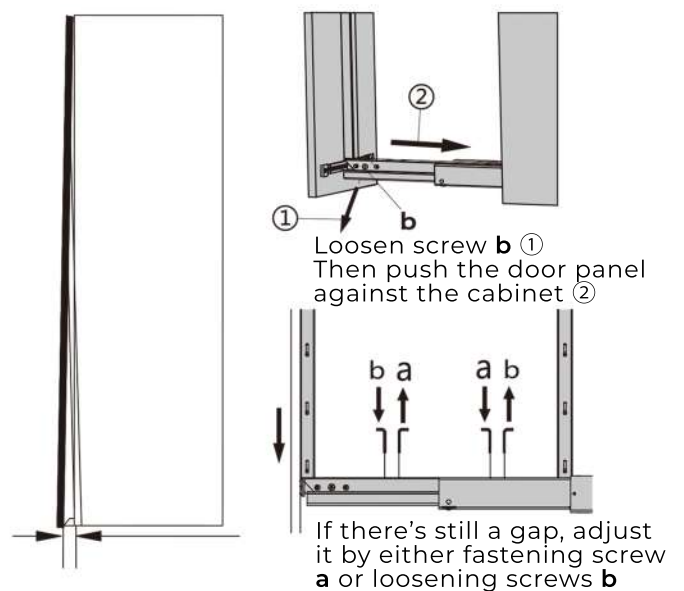
If the door panel is leaning
to the right hand side,



If there is a gap at the upper
side of the door panel,



If there is a gap at the lower
side of the door panel,



HGPOP-S-CFG, HGPOP-SR-CFG
HGPOP-D-CFG, HGPOP-DR-CFG

▶▶ STEP 7. Installation of U-shaped brackets and baskets

- 7.1. Screw and fasten all necessary screws and **2** U-shaped brackets. All provided U-shaped brackets must be installed to ensure safety and stability.
- 7.2. Place the **9** baskets according to the actual height of the frame. Each basket can be installed according to the desired placement and to accommodate pantry items of different heights.

