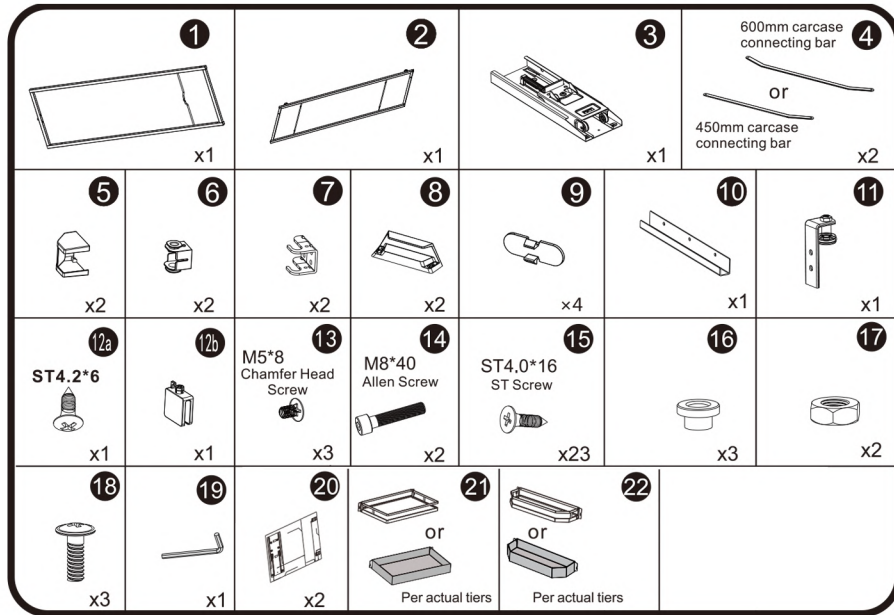


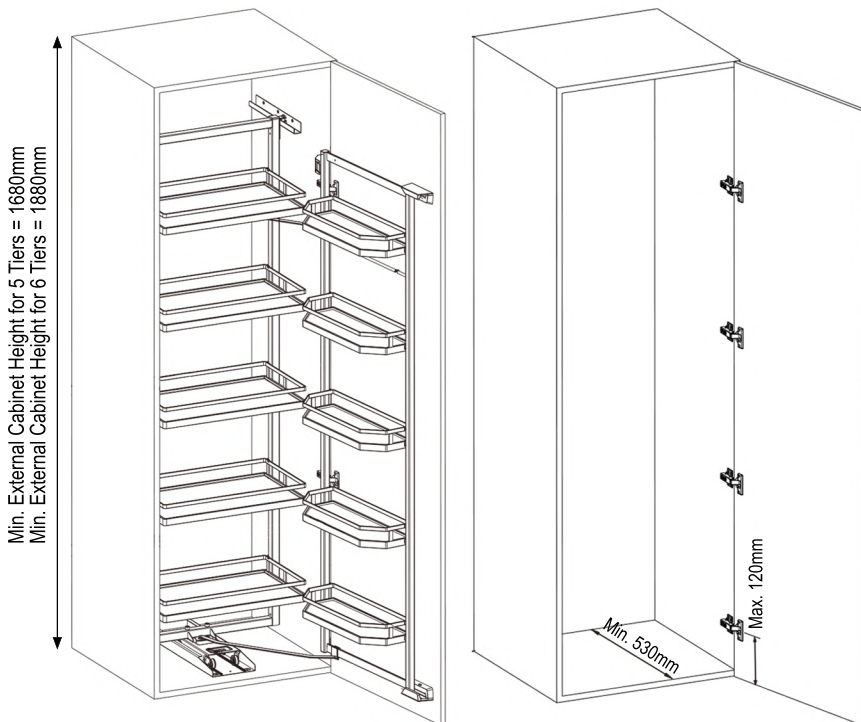
HGOOP-SR-CFG, HGOOPS-SR450HI/VH, HGOOPS-SR600HI/VH
HGOOP-DR-CFG, HGOOPS-DR450HI/VH, HGOOPS-DR600HI/VH

Parts List



This installation manual is for the following cabinet and height models.

EXT. CABINET WIDTH	W x D x H	NO. OF TIERS
450-500mm	410 x 500 x 1625mm	5
450-500mm	410 x 500 x 1825mm	6
600mm	560 x 500 x 1625mm	5
600mm	560 x 500 x 1825mm	6



FEATURES

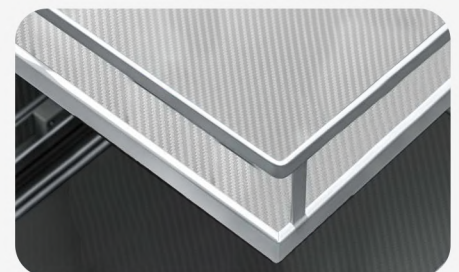
- Two styles of tray design*
- Soft close heavy duty runner
- Two widths to suit standard cabinets:
450-500mm (414mm internal)
600mm (564mm internal)
- Fixed frame heights:
High: 1625mm
Very High: 1825mm
- Adjustable tray positions
- Max. 8kg load per tray
- Universal mounting on left- or right-side hinged door

*TRAY SHELF STYLES

Note: Shelf style in the diagrams may differ from your model



Shearer PRO Style
Aerospace-grade aluminium with non-slip textured MDF base

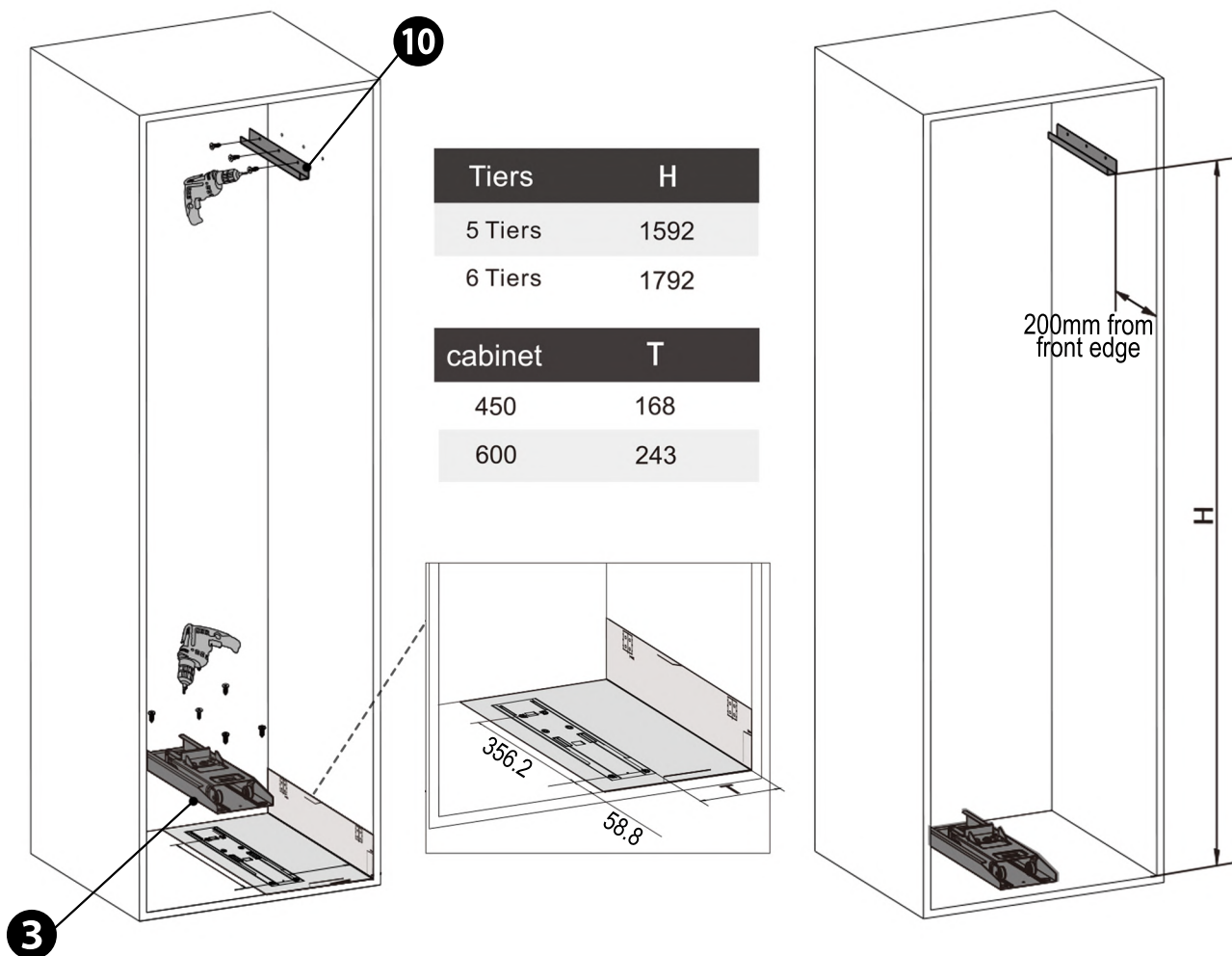


Diamond PRO Style
Nano-coated grey railings with non-slip textured MDF base

HGOOP-SR-CFG, HGOOPS-SR450HI/VH, HGOOPS-SR600HI/VH
HGOOP-DR-CFG, HGOOPS-DR450HI/VH, HGOOPS-DR600HI/VH

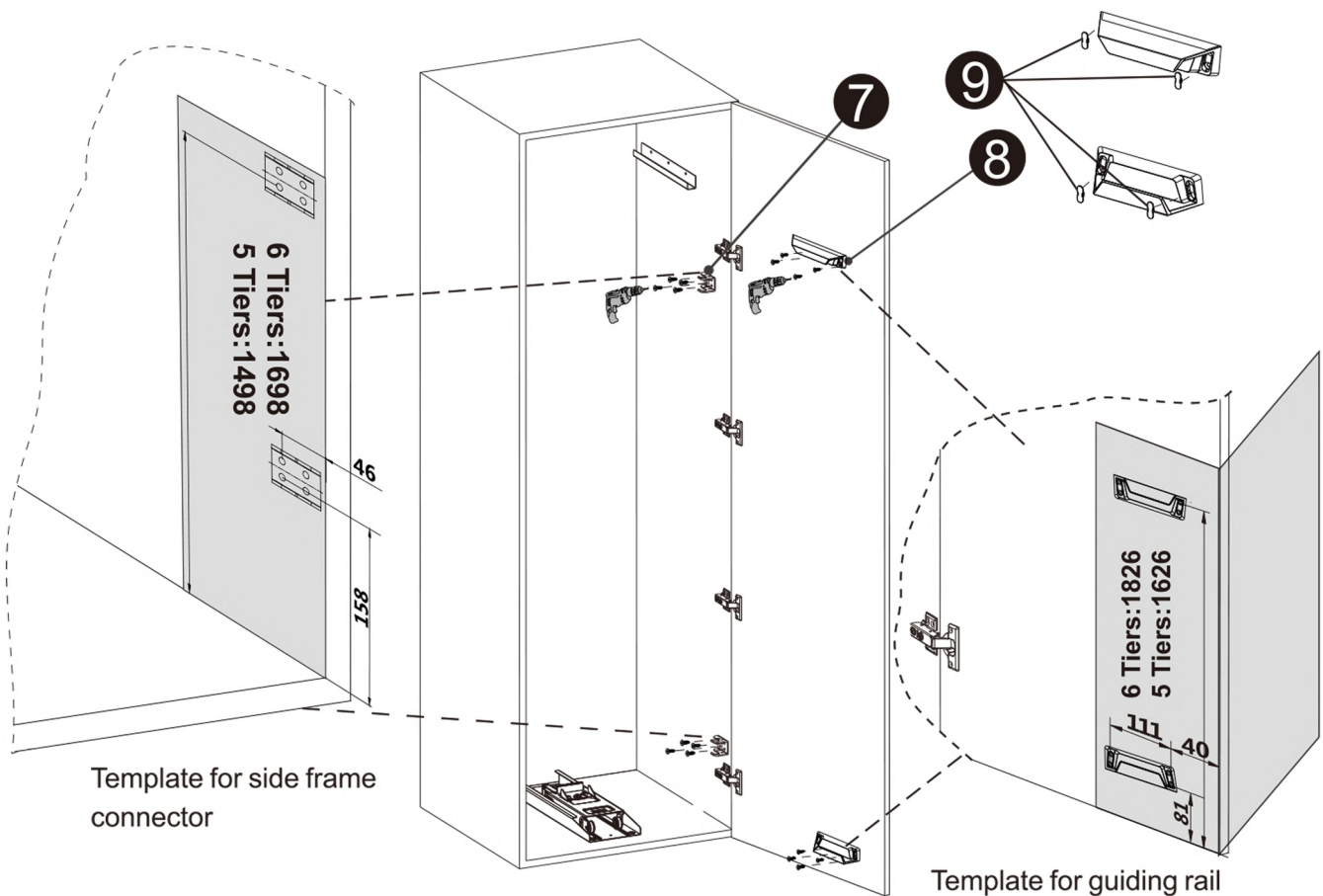
STEP 1. Installation of runners

1.1. Use the **20** drilling template to affix the **3** bottom runner with 4pcs of **15** ST4*16 screws. Then, install the **10** side rail 200mm from front edge of the cabinet using 3pcs of **15** ST4*16 screws, and following the height distance for the pantry unit's tier (H).



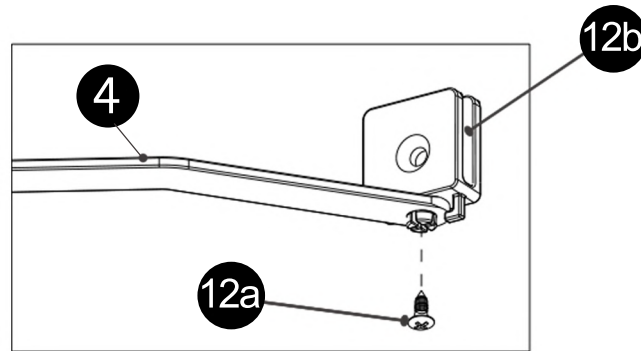
►► STEP 2. Installation of door connectors and brackets

- 2.1. Use the 20 drilling templates and 16pcs of 15 ST4*16 screws to affix the 7 side frame connectors to the interior wall of the cabinet; and the 8 guiding rail brackets and the 9 screw covers to the cabinet door panel.

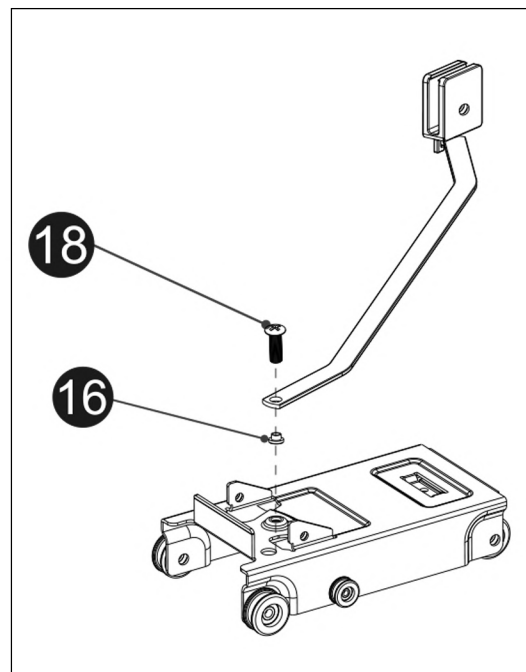
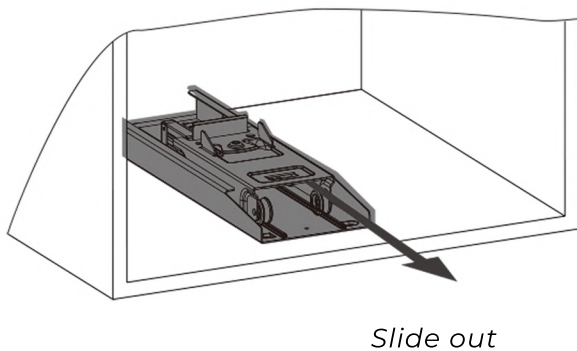


▶▶▶ STEP 3. Installation of pull mechanism

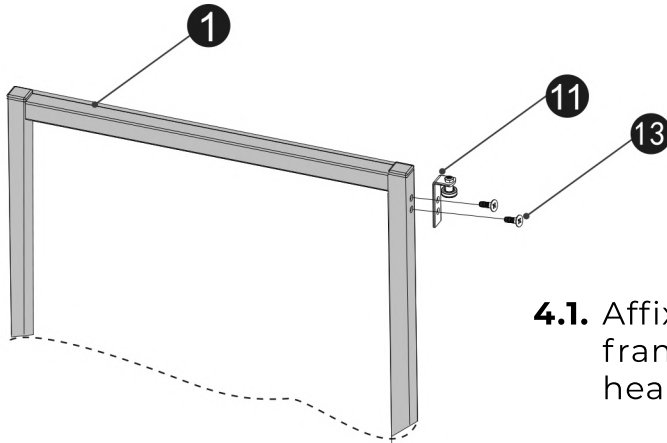
3.1. Assemble the **4** **12b** lower connecting bar mechanism and secure together using 1pc of **12a** ST4.2*6 screw.



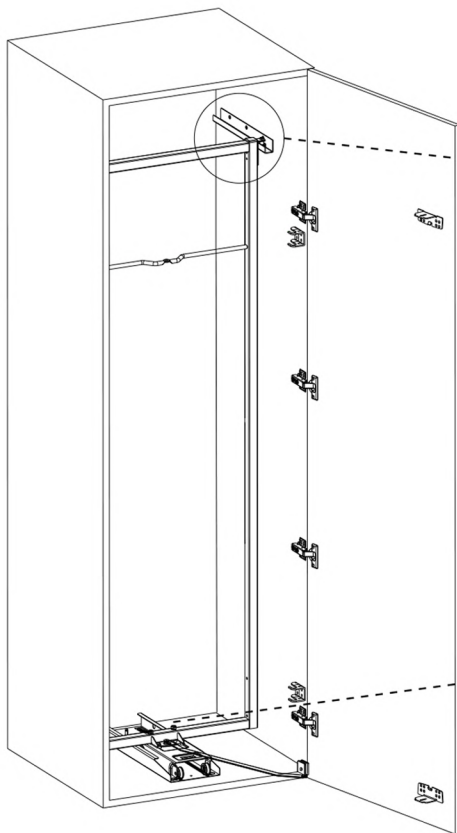
3.2. Slide out the bottom runner and affix the lower connecting bar mechanism using 1x set of **18** screw and **16** flange nut.



▶▶ STEP 4. Installation of inner frame



4.1. Affix the **11** sliding wheel to the **1** inner frame using 2pcs of **13** M5*8 chamfer head screws.

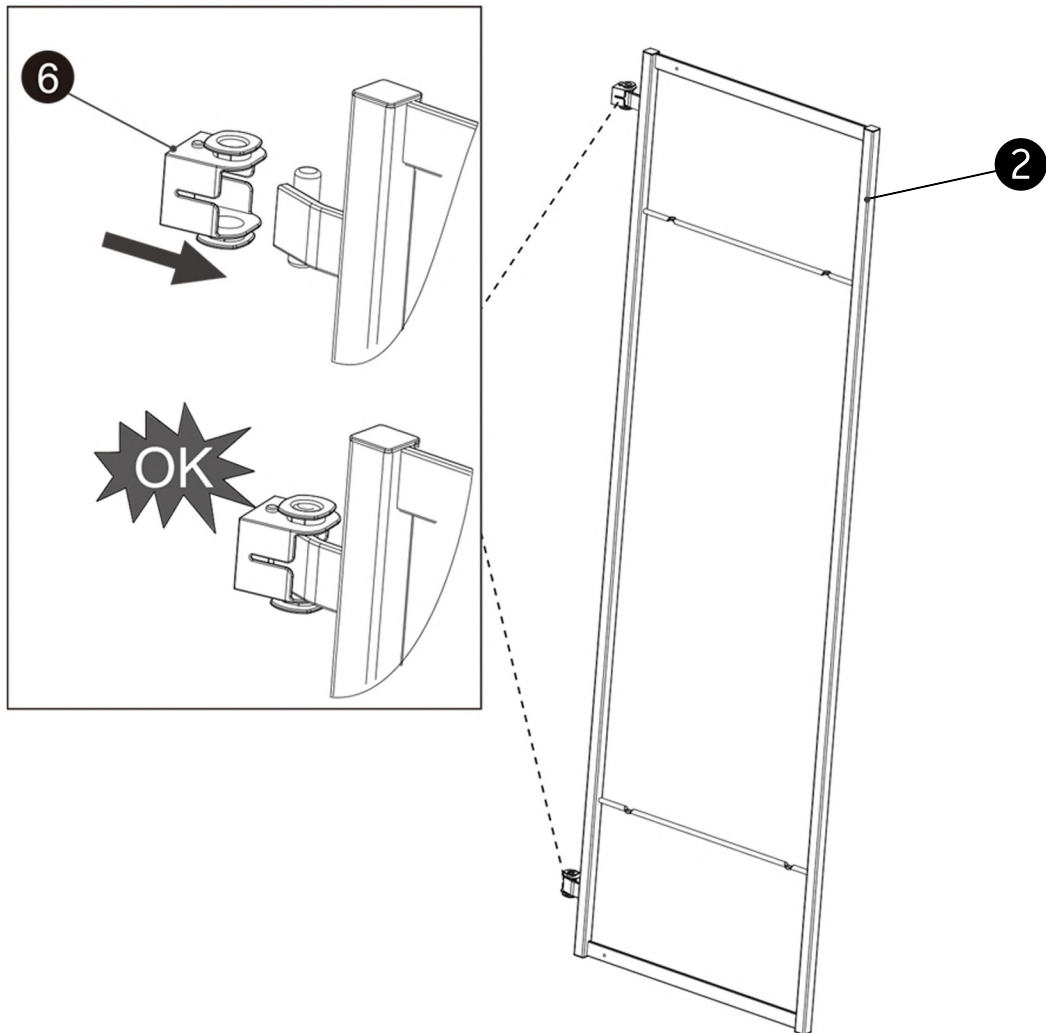


4.2. Insert the sliding wheel into the side rail.

4.3. Align the holes on the bottom part of the frame with the bottom runner, then fasten using 2pcs of **14** M8*40 screws.

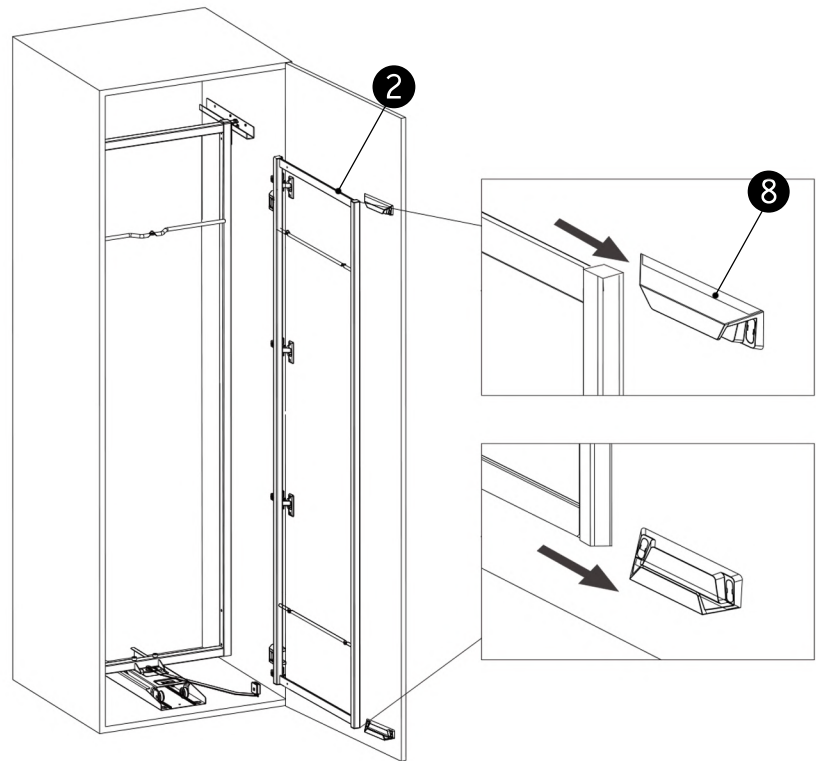
▶▶ STEP 5. Installation of side frame

- 5.1. Tilt the **2** side frame at the illustrated angle and insert into the **6** bracket.



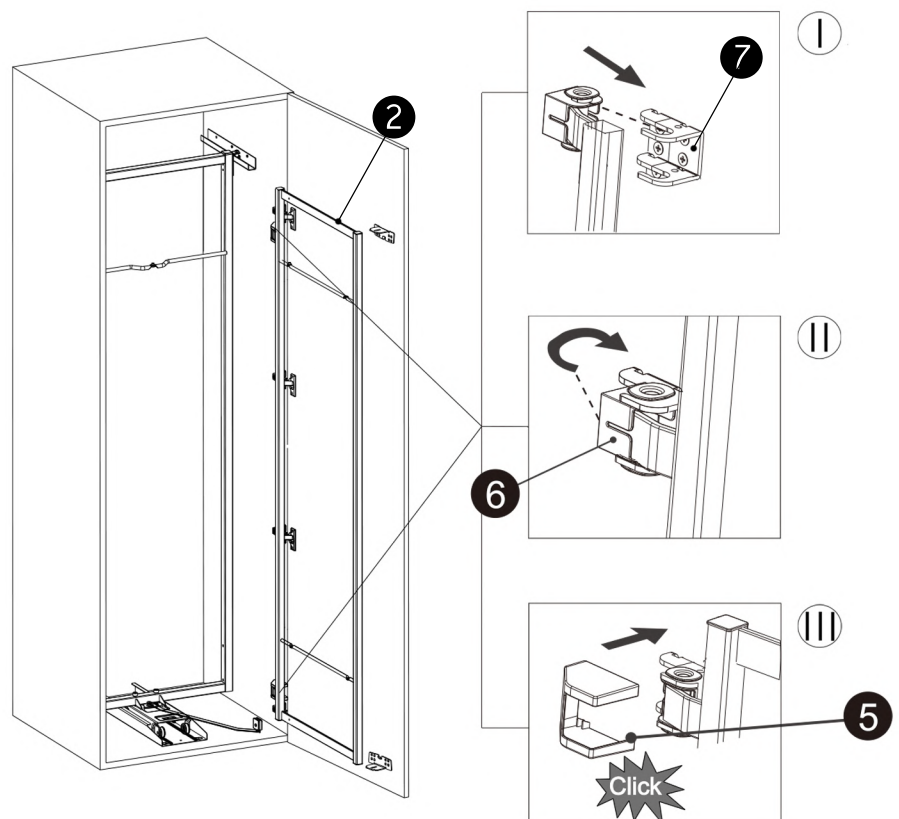
HGOOP-SR-CFG, HGOOPS-SR450HI/VH, HGOOPS-SR600HI/VH
HGOOP-DR-CFG, HGOOPS-DR450HI/VH, HGOOPS-DR600HI/VH

- 5.2.** Connect the **2** side frame to the cabinet door panel by sliding it into the **8** guiding rail brackets.



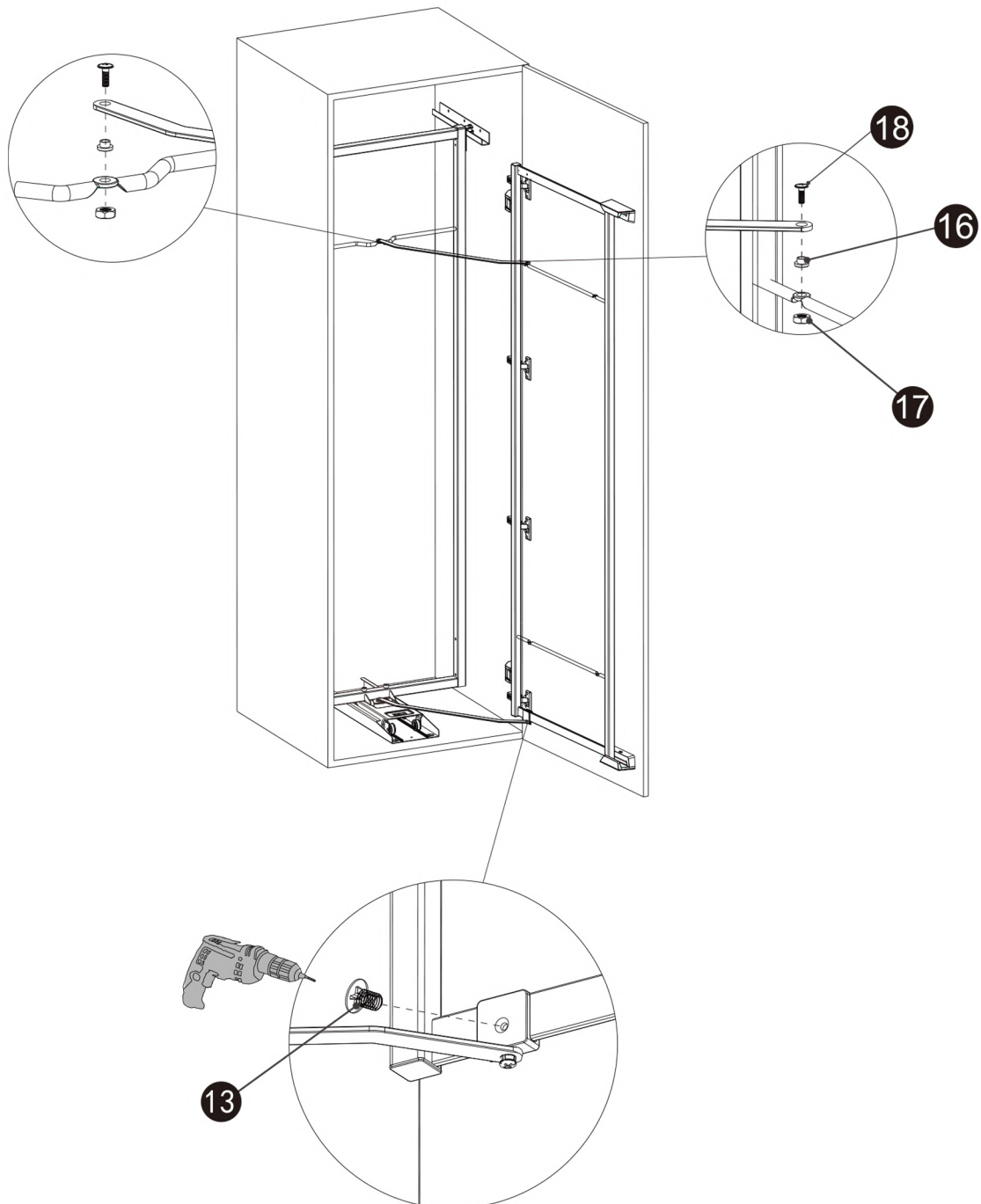
- 5.3.** Connect the **2** side frame to the interior cabinet wall. Follow below steps for both top and bottom connectors.

- (I) Insert frame into the slot of side frame connectors (part 7).
- (II) For right-opening doors, rotate the bracket (part 6) 90-degree clockwise. For left opening doors, rotate it counter-clockwise.
- (III) Place each decorative cover (part 5) until it locks into place.



▶▶ STEP 6. Installation of connecting bars

- 6.1. Fasten the **4** upper bar to the inner frame and side frame using 2pcs each of **18** screws and **16 17** nuts.
- 6.2. Fasten the **4** lower bar to the cabinet door panel using 1pc of **13** M5*8 chamfer head screw.



▶▶ STEP 7. Installation of baskets

- 7.1.** Affix the ②① internal baskets to the pantry frame inside the cabinet, and the ②② door-mount baskets to the door panel frame. Secure placement by ensuring basket hooks are properly fixed on the frame holes.

Each basket can be installed according to the desired height so it can accommodate pantry items of different sizes.
Installation complete.

