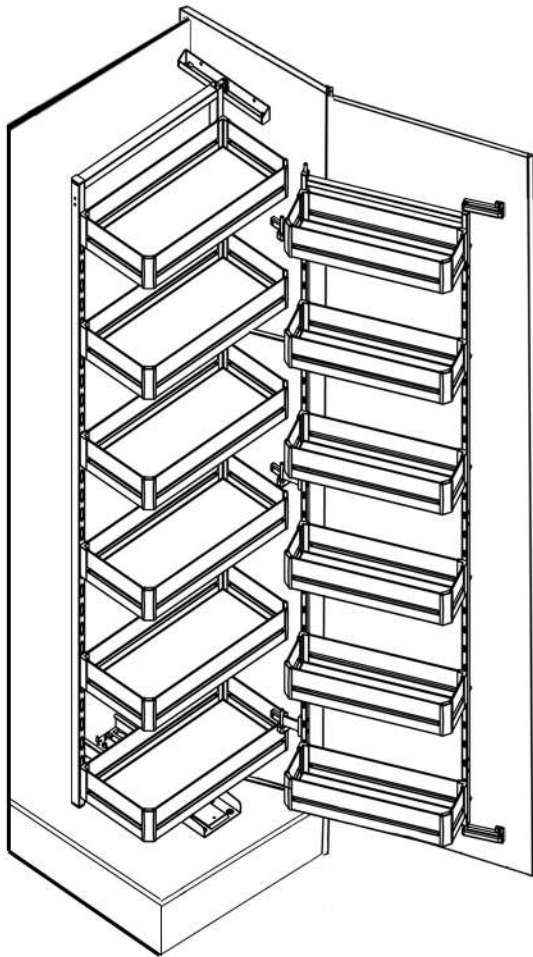


ELITE Nero Open Out Pantry for 450mm or 600mm Cabinet

ELITEOOP2-N450VH-1396 / ELITEOOP2-N600VH-1397

ELITE[®]
STORAGE SOLUTIONS



Features

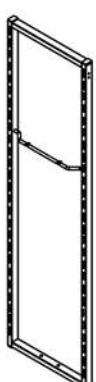



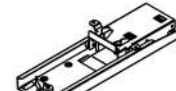


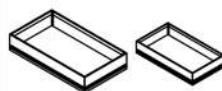





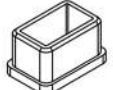



- Dark grey basket style
- Aluminium with MDF wooden basket
- Anti-slip mats on each basket
- Soft close runners
- Universal fitting allows left and right swing installation
- Two widths to suit standard cabinet widths: 450mm and 600mm
- Overall Frame height of 1680mm (Min. internal cabinet height of 1700mm)
- Adjustable shelf positions
- 54kg total payload (Each basket can bear 9kg weight)
- Split storage - front and rear shelves - Rear shelves slide forward

Note:

Shelf style in diagram may differ from your model

Maximum opening angle of cabinet hinge is 110°

List of key parts

A 1 pc 	B 1 pc 	C 3 pcs 	D 1 pc 	E 1 pc 	G 2 pcs 		
		H 17 pcs 	IA 6 pcs IB 6 pcs 	J 3 pcs 	L 1 pc 		
		M 2 pcs 	N 1 pc 	O 4 pcs 	P 4 pcs 	Q 6 pcs 	F 2 pcs 
Tools needed (not included) 							

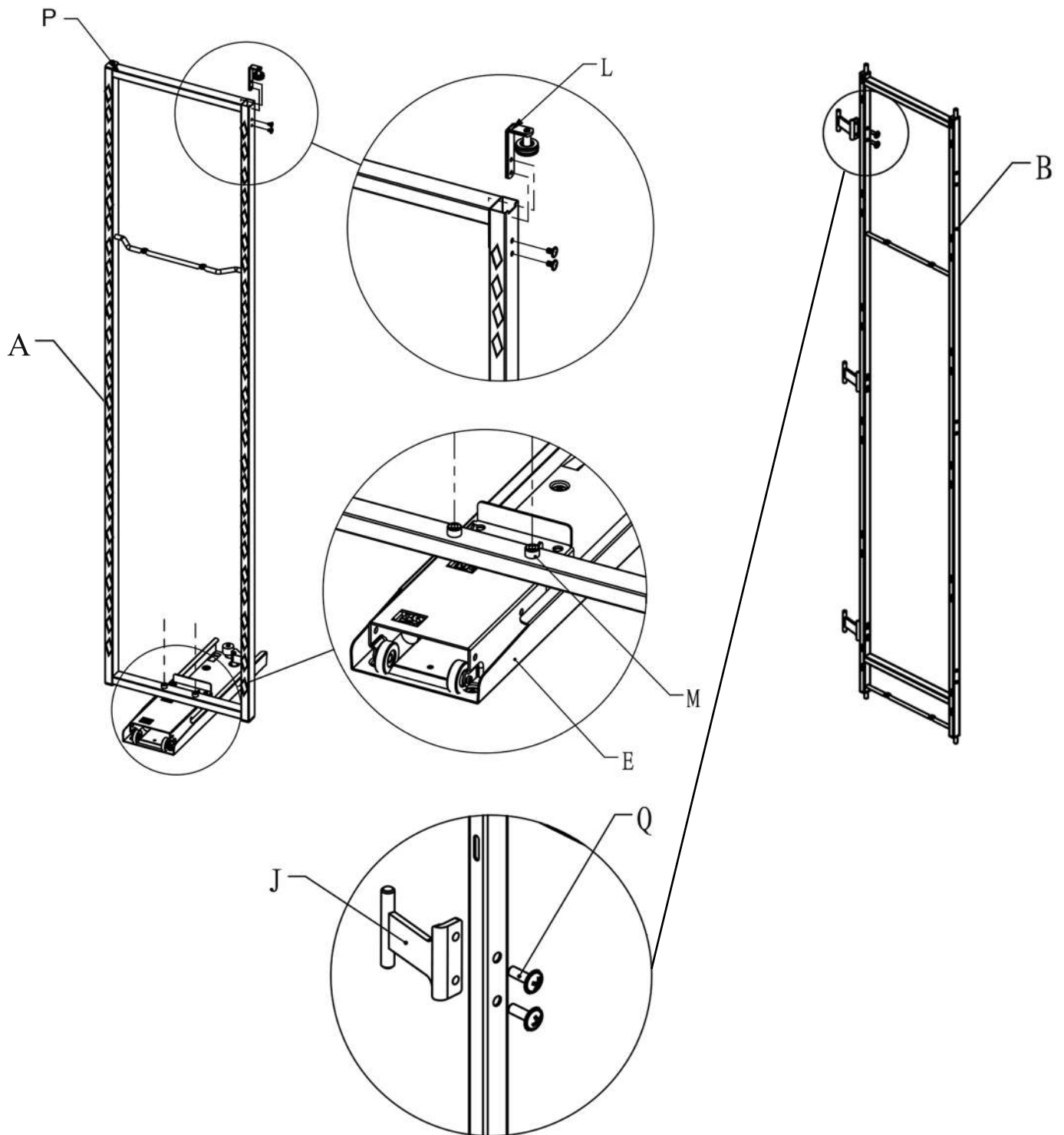
ELITE Nero Open Out Pantry for 450mm or 600mm Cabinet

ELITEOOP2-N450VH-1396 / ELITEOOP2-N600VH-1397

ELITE[®]
STORAGE SOLUTIONS

STEP 1

Connect Frame A to runner E. Affix parts L and P to frame A, and part J to frame B.



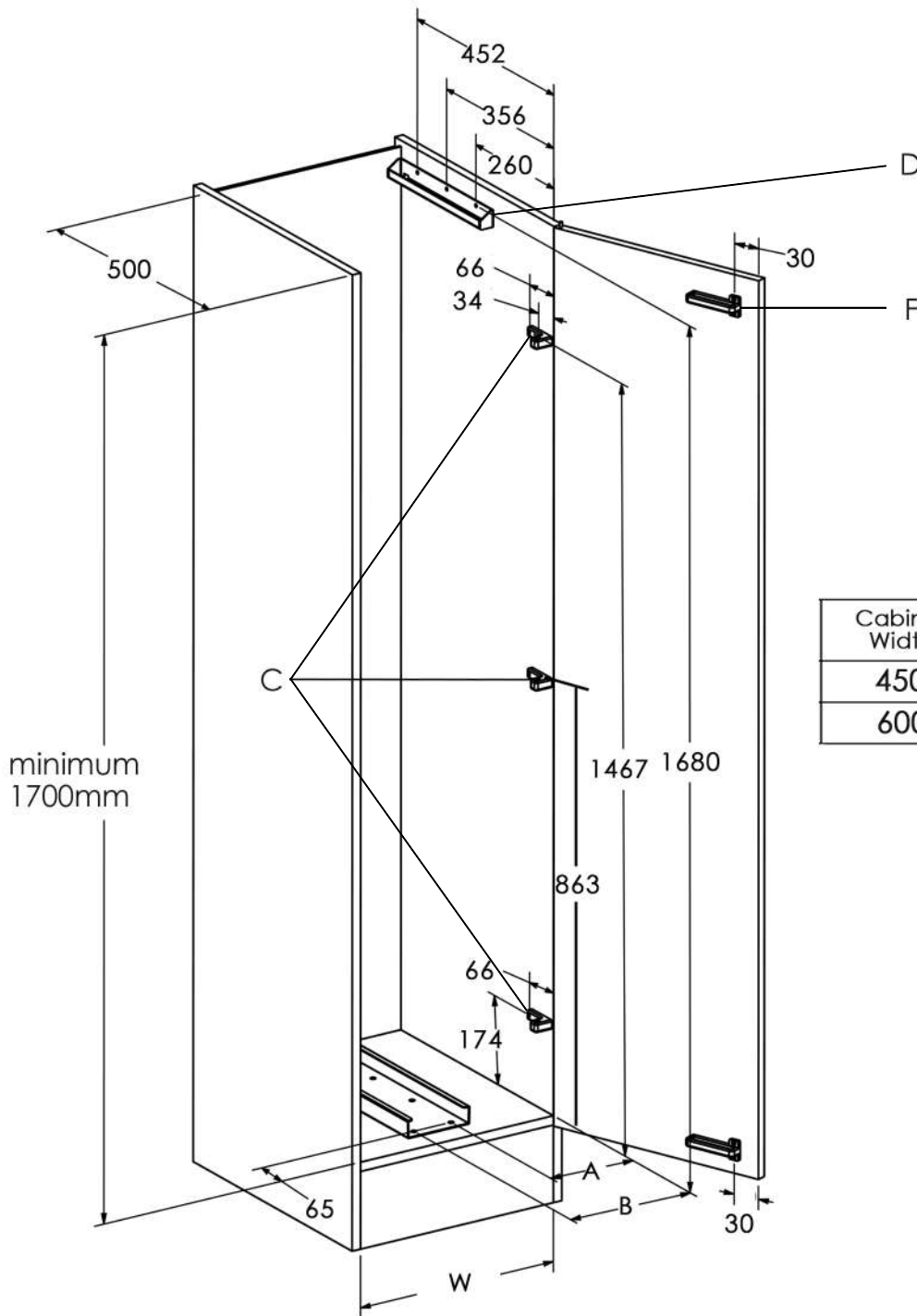
ELITE Nero Open Out Pantry for 450mm or 600mm Cabinet

ELITEOOP2-N450VH-1396 / ELITEOOP2-N600VH-1397

ELITE
STORAGE SOLUTIONS

STEP 2

Affix base runner and hardware to the internal cabinet wall and door panel.



Cabinet Width	W	A	B
450	414	169	265
600	564	244	340

ELITE Nero Open Out Pantry for 450mm or 600mm Cabinet

ELITEOOP2-N450VH-1396 / ELITEOOP2-N600VH-1397

ELITE[®]
STORAGE SOLUTIONS

STEP 3

- 1) Install assembled frame (A) onto base runner (E) with guide wheel (L) inside guide rail (D).
- 2) Install assembled frame (B) onto cabinet door with affixed bracket (F).
- 3) Connect two hinge arm (a) to horizontal brace of frame (A) and (B).
- 4) Attach the baskets onto the frames.

