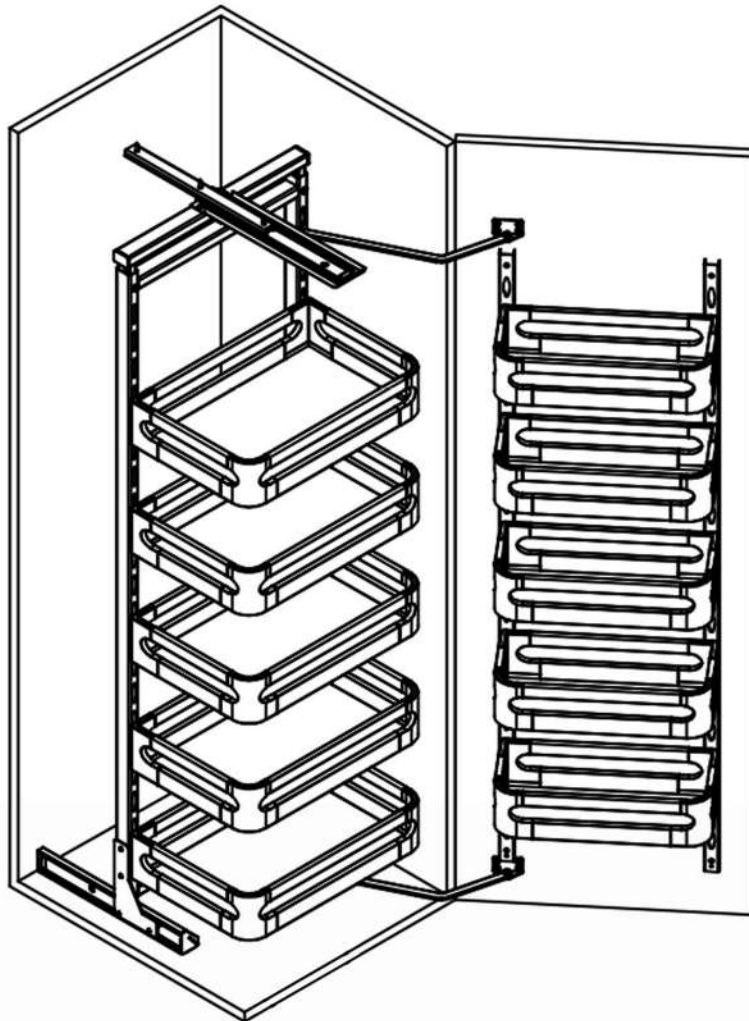


Open Out Tandem Pantry

Adjustable Height - for 450mm or 600mm Cabinet - Internal Unit

ELITEOOP-C / ELITEOOP-B / ELITEOOP-P / ELITEOOP-L / ELITEOOP-G



Features

- Five styles of shelf design
- Universal fitting allows left and right swing installation
- Two widths to suit standard cabinet widths:
450mm and 600mm
- Adjustable frame heights:
LOW: 1650mm to 1950mm
HIGH: 1850mm to 2150mm
- Adjustable shelf positions
- 50kg total payload
- Split storage - front and rear shelves - Rear shelves slide forward

Note:

Shelf style in diagram may differ from your model

List of key parts

A 1 pc 	B 1 pc 	C 1 set 	D 2 pcs 	E 2 pcs 	I 2 pcs 	J 2 pcs 	F 2 pcs 	H 1 pc
K (basket styles)								
 CHEF	 LARDER	 BISTRO	 PROVEDORE	 GALLEY	 Use 2 hooks for each Provedore basket			
M 4 pcs M5*8	N 2 pcs M6*8	O 6 pcs M5*25	P 6 pcs M6	Q 20 pcs ST4*14	R 10 pcs ST4*25	S 3 pcs ST4*14	T 4 pcs 	

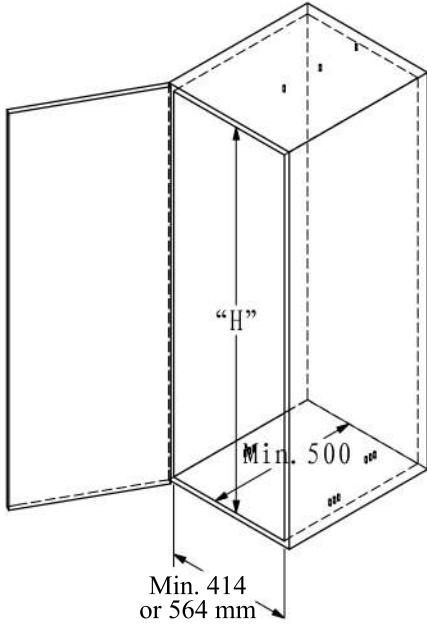
Open Out Tandem Pantry

Adjustable Height - for 450mm or 600mm Cabinet - Internal Unit

ELITEOOP-C / ELITEOOP-B / ELITEOOP-P / ELITEOOP-L / ELITEOOP-G



Suitable cabinet size: (D)500mm x (W)450mm x (for Height, see table below)

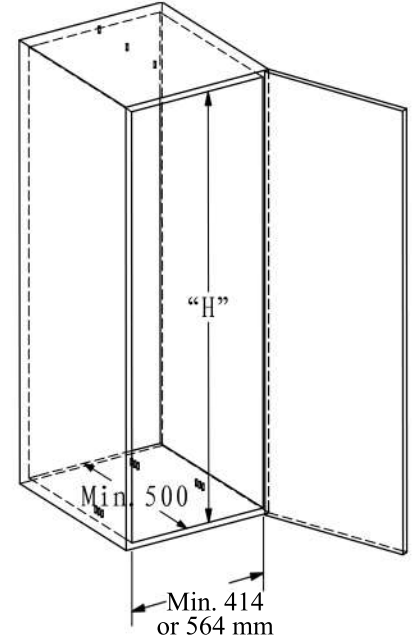


Left opening

No. of Shelves	H
4	1150~1450mm
5	1250~1500mm
6	1650~1950mm
6 (higher gaps)	1850~2150mm

Note: Door plate fitting hinge is greater than 165 degrees

Can be installed on both left or right openings



Right opening

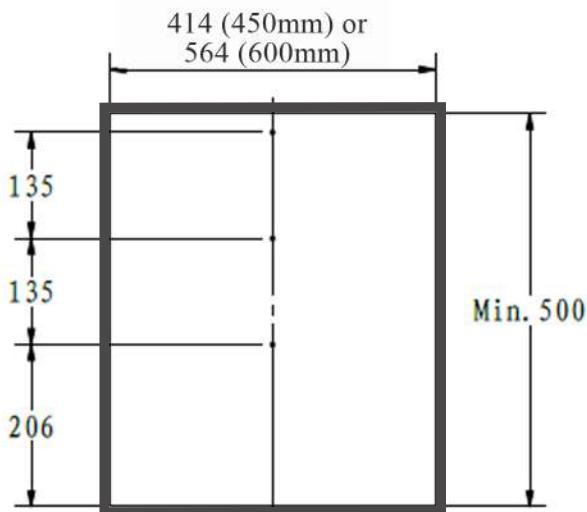
STEP 1

Mark Top Hole Positions

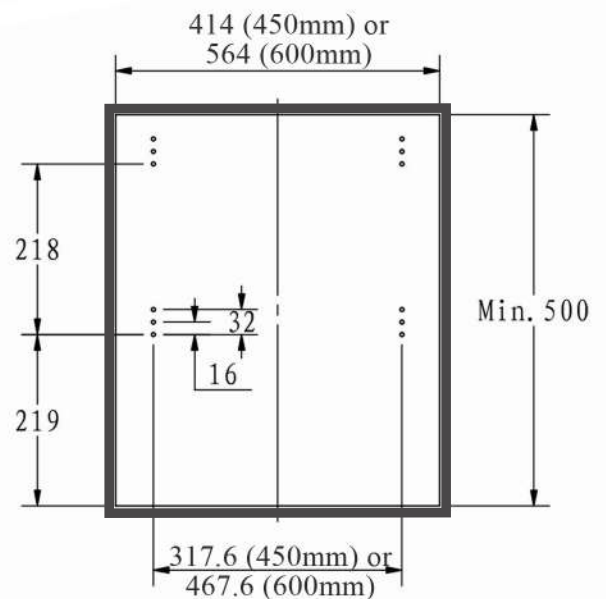
STEP 2

Mark Bottom Hole Positions

Measure per drawing indications and mark the holes



Front of Cabinet



Front of Cabinet

Open Out Tandem Pantry

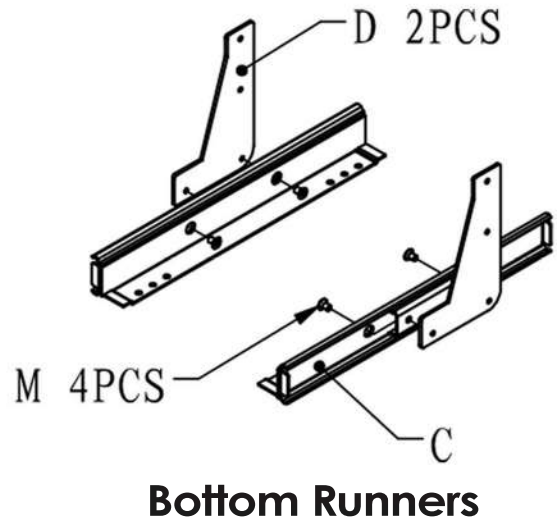
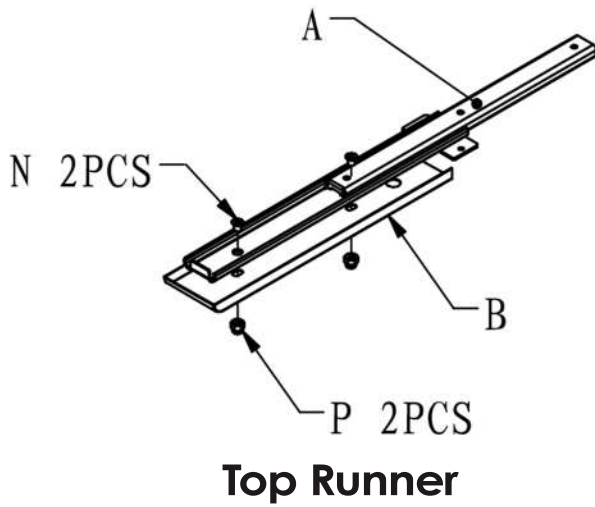
Adjustable Height - for 450mm or 600mm Cabinet - Internal Unit

ELITEOOP-C / ELITEOOP-B / ELITEOOP-P / ELITEOOP-L / ELITEOOP-G



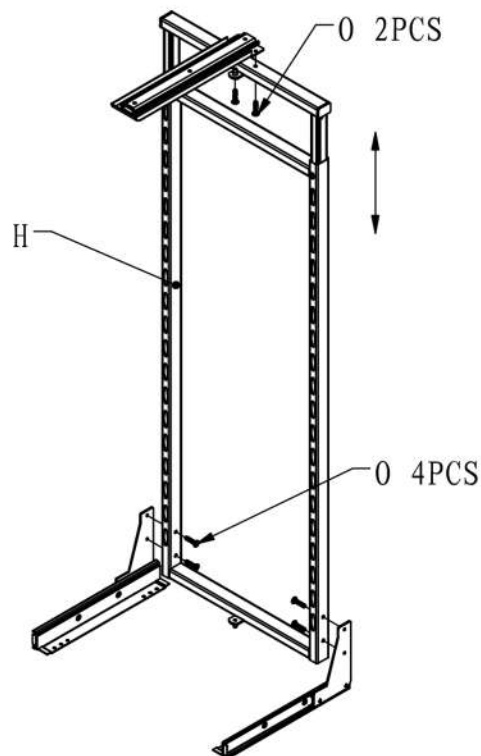
STEP 3

Fix Top Runner to Connection Slider and Bottom Runners to L-Frame Brackets



STEP 4

Fix Frame to Top and Bottom Runners



Open Out Tandem Pantry

Adjustable Height - for 450mm or 600mm Cabinet - Internal Unit

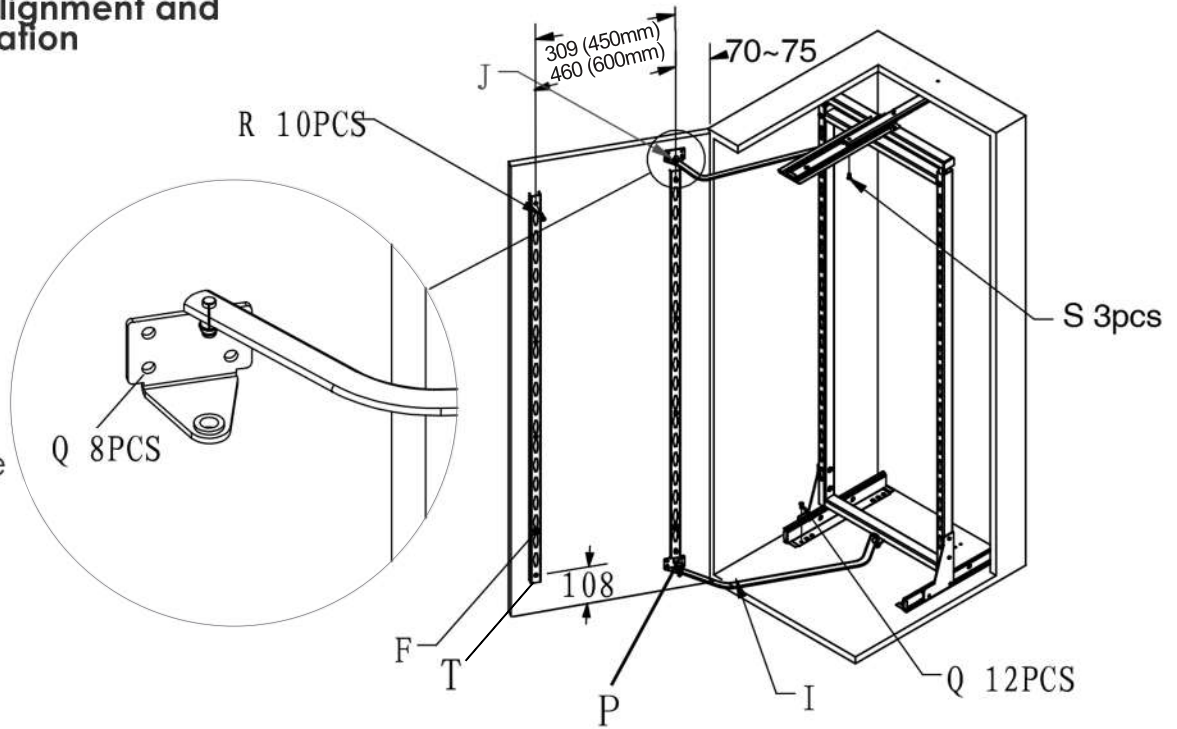
ELITEOOP-C / ELITEOOP-B / ELITEOOP-P / ELITEOOP-L / ELITEOOP-G



STEP 5 Door Alignment and Stabilisation

Horizontal Door Adjustment:
Loosen (but do not remove) the middle

Note: Door hinge arms are reversible to allow a left swing door installation



STEP 6 Install Pantry Baskets

