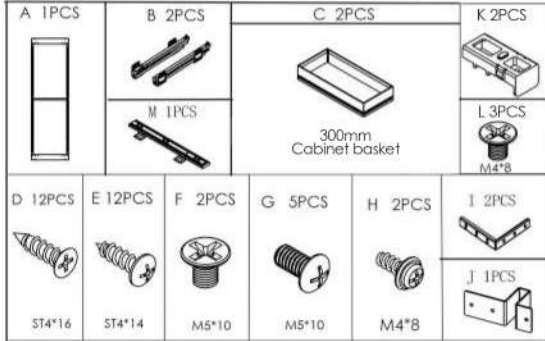


# ELITE Galley Pull Out Pantry Suits 1760mm+ Cabinet Height

ELITEPOP2-N300VH-1395

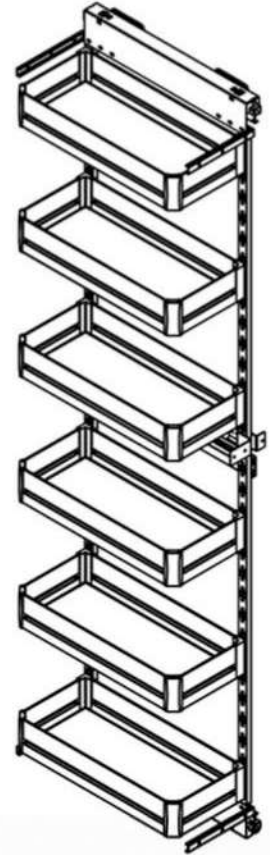
**ELITE**  
STORAGE SOLUTIONS

## Package Inclusions

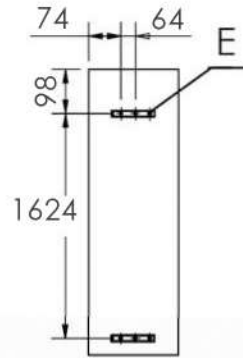
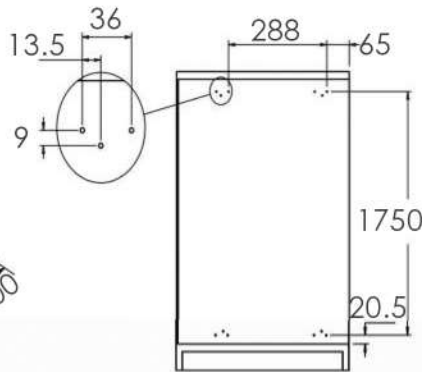
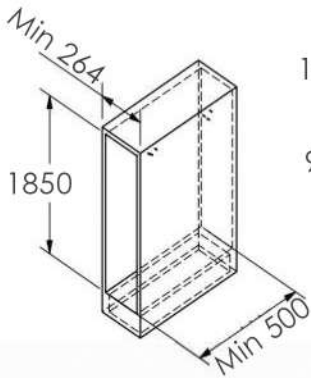


This instruction is for the right-side opening unit. Left-side is symmetrical.

**Note:** This is the internal Hardware only and does not come with the Cabinet or Door

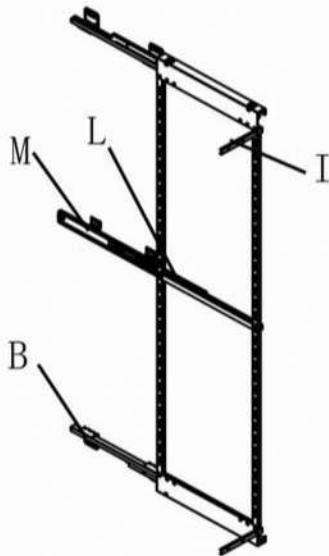


## Suitable cabinet size and product size (mm)



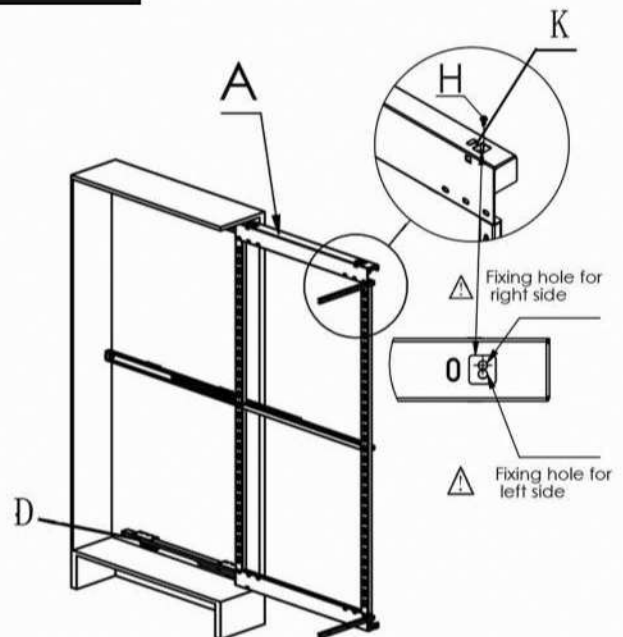
### STEP 1

Fix the sliders to the internal cabinet wall and secure with screws B and M



### STEP 2

Install frame A into the sliders



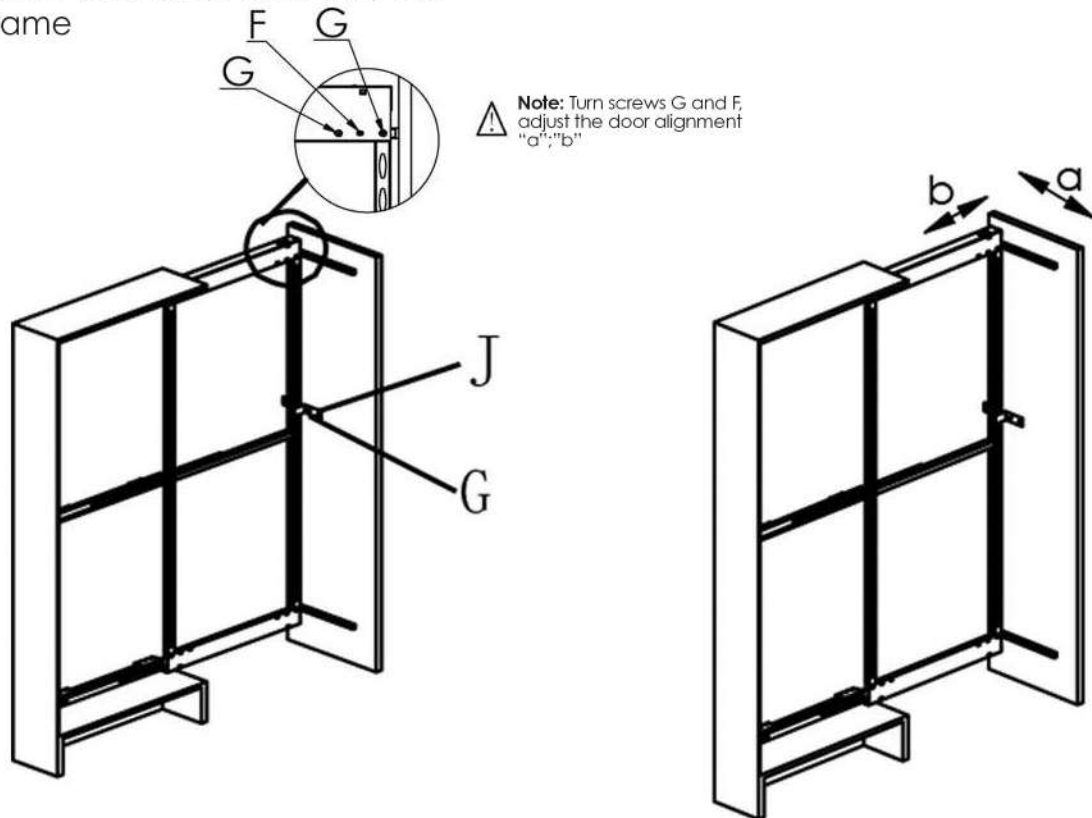
# ELITE Galley Pull Out Pantry Suits 1760mm+ Cabinet Height

ELITEPOP2-N300VH-1395

**ELITE**<sup>®</sup>  
STORAGE SOLUTIONS

## STEP 3

Affix the cabinet door into the frame



## STEP 4

Hang the baskets into the frame

