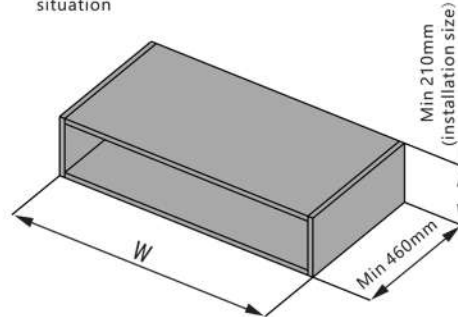


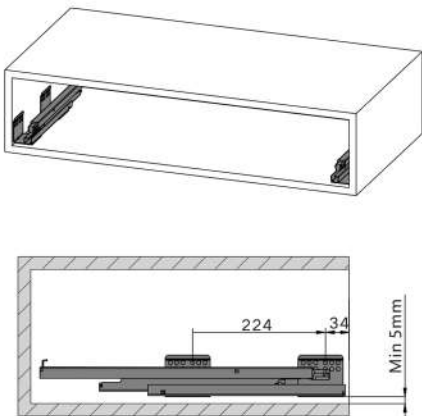
Note:
Cabinet height 210mm is the minimum height for installation. It can be increased for actual situation



Cabinet width	Unit width
900mm	864mm
600mm	564mm

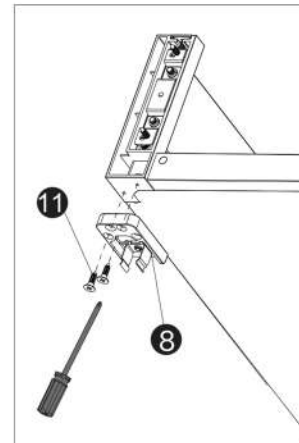
Installation of runners

- 1 Affix the rail runners into the base of the cabinet.



Installation of runners lock

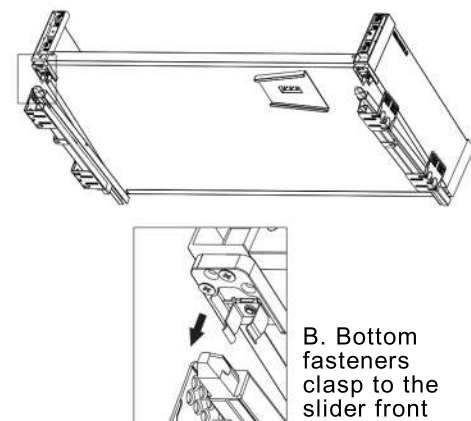
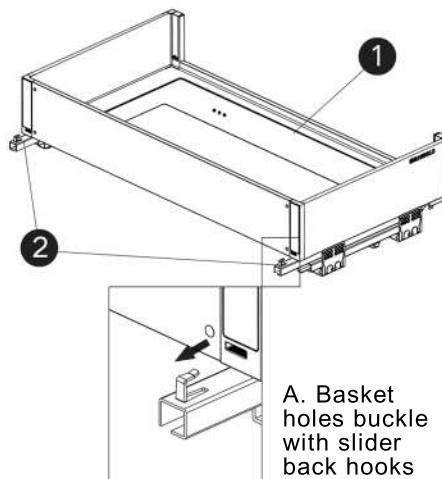
- 2 Affix the rail runner lock into the bottom of basket using 4pcs of ST3.5*20 screws.



Installation of basket

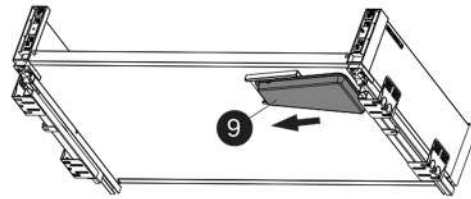
- 3 Align the basket to the runners mounted to the cabinet.

Ensure that the bottom fastener clasps properly into the runners.



Installation of drain tray

- 4** Slide the drain tray into the slot underneath the basket.

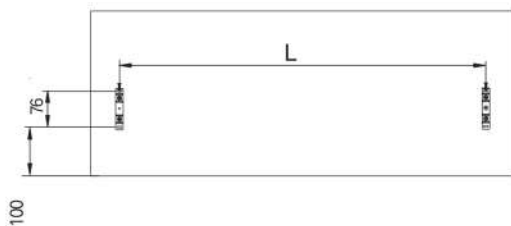


Installation of door panel

- 5** Pre-drill 2.5mm holes on the door panel as illustrated. Then affix the door fixings using the provided screws.

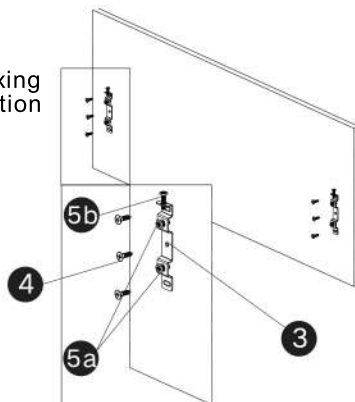
Attach the basket to the door panel. Adjust the door so it aligns to the cabinet. Once secured, place the decorative covers (part #7) to conceal the screw work.

Pre-drilling guide

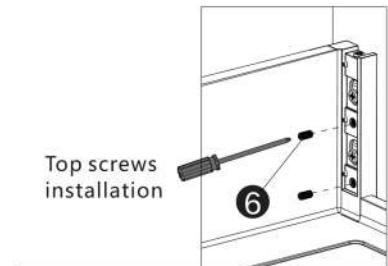


W	900	600
L	778	478

Door fixing installation



Top screws installation



Up & down adjustment
Locks

Front & back adjustment

