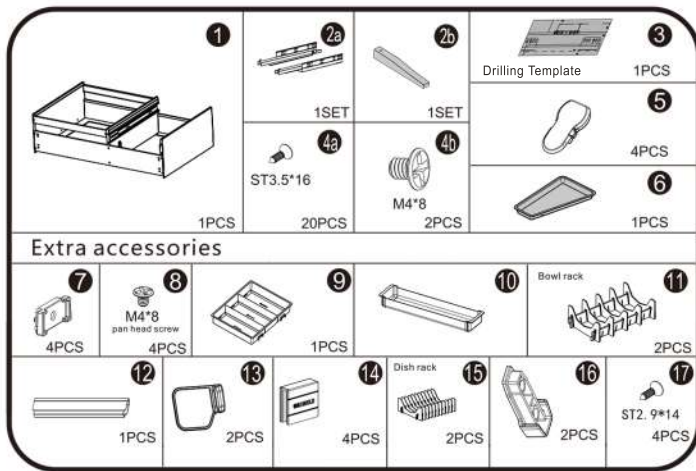
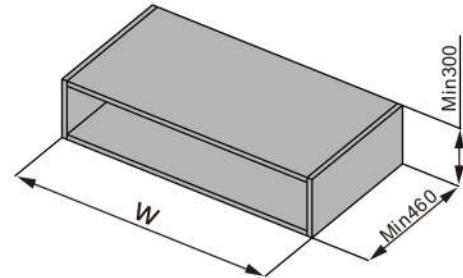


Parts List



Note:

Cabinet height 300mm is the minimum height for installation. Larger heights can still be accommodated as long as W stays the same.

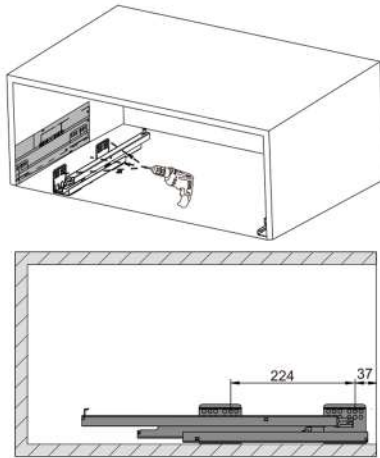


Accessory quantity and dimension according to cabinet width:

Cabinet width (W)	Acces. 10	Acces. 14	Acces. 11	Acces. 15
900mm	1-522mm	4	2-277(227)mm	2-277(227)mm
600mm	0	4	2-127(77)mm	2-127(77)mm

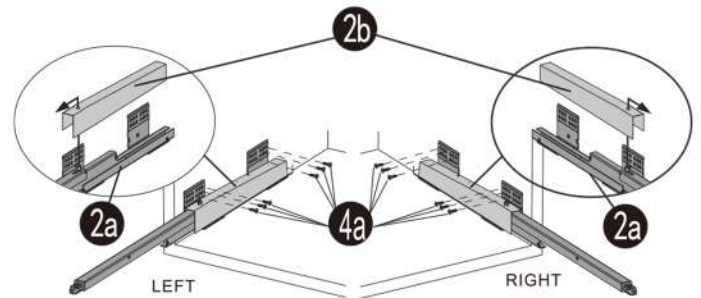
STEP 1. Drilling guide

Drill six holes on each internal wall of the cabinet using the **3** drilling template.



STEP 2. Installation of runners

Affix the **2a** rail runners using **4a** 12pcs of ST3.5*16 screws. Then place the **2b** dust covers.

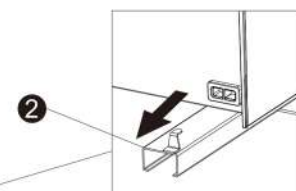
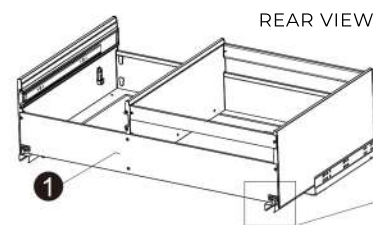


NOTE: We recommend using the **2b** dustproof covers after runner installation.

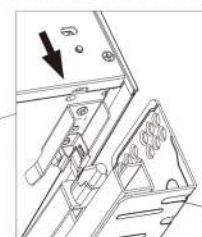
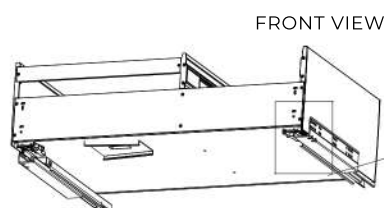
STEP 3. Installation of basket

Align the **1** basket to the runners mounted to the cabinet.

Ensure that the bottom fastener clasps properly into the **2** runners.



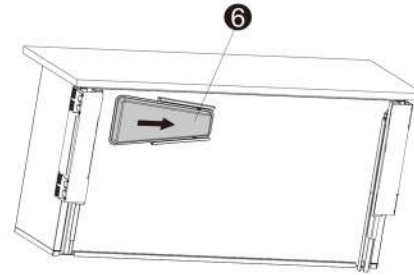
A. Basket holes buckle with slider back hooks



B. Bottom fasteners clasp to the slider front

STEP 4. Installation of drain tray

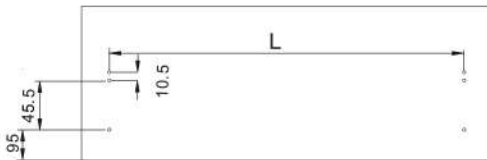
Slide the **6** drain tray into the slot underneath the basket.



STEP 5. Installation of door panel

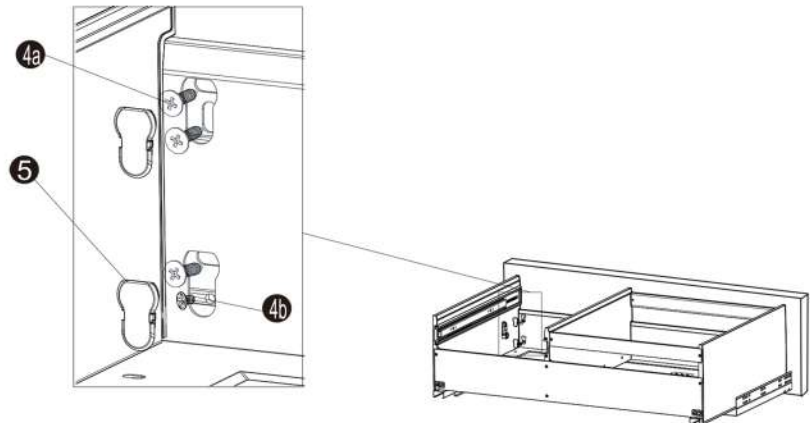
Pre-drill 2.5mm holes on the door panel as illustrated. Then attach the basket to the door panel using **4a** 6pcs of ST3.5*16 and **4b** 2pcs of M4*8 screws. Prior to securing these screws, adjust the door so it aligns to the cabinet. Place the **5** decorative covers to conceal the screw work.

Pre-drilling guide



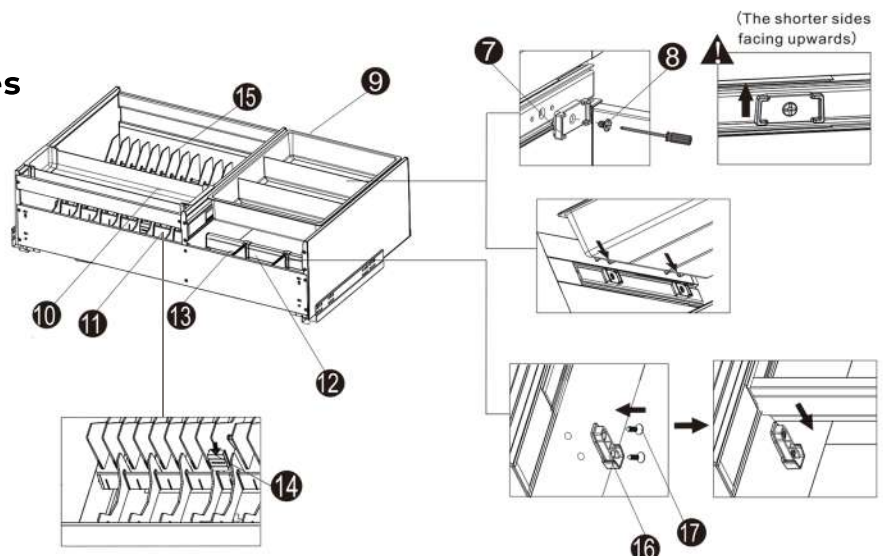
W	900	600
L	785	485

Door fixing installation and adjustment



STEP 6. Installation of accessories

Place the cutlery trays and dish stands in the drawer basket as shown.



Joint the bowls and dish racks with connecting plates