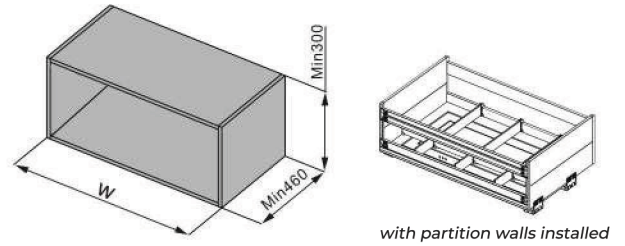
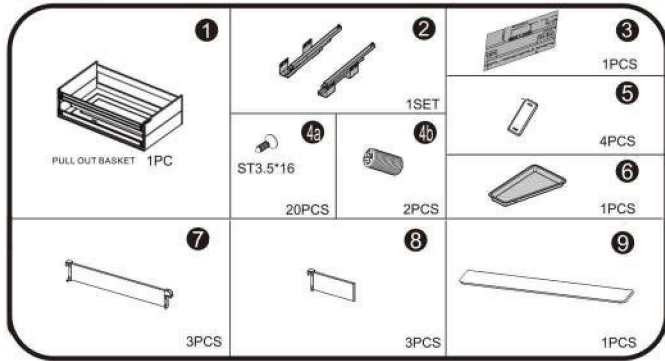


HG-303595-1807 / HG-303591-1808

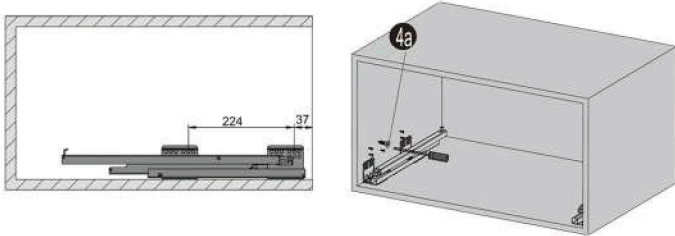
Parts



	600mm cabinet	900mm cabinet
Product Size(mm)	460x550xmin265	460x850xmin265
For Cabinet size(mm)	500x600x300	500x900x300

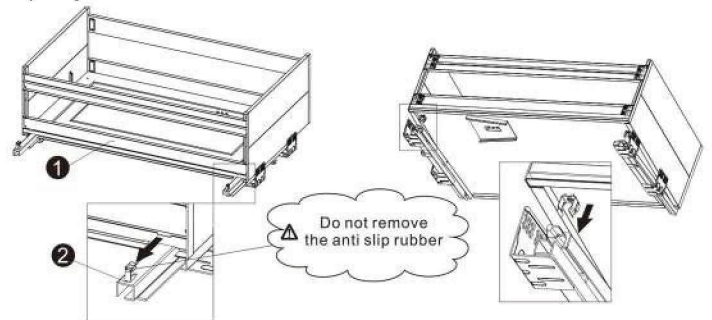
▶▶▶ Installing the runners

1 Affix the rail runners into the base of the cabinet. Secure installation with 12pcs od ST3.5*16mm ST screws (item 4a)



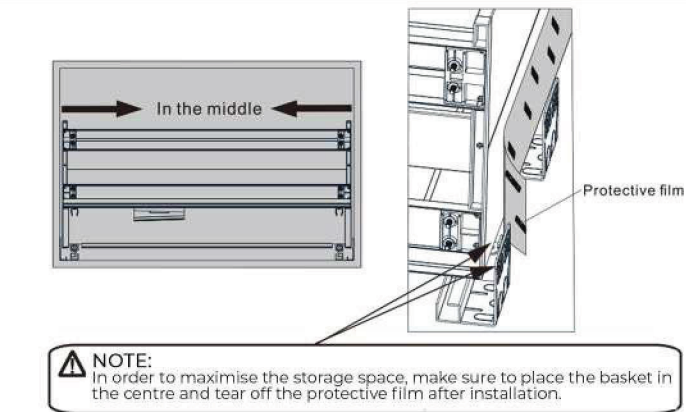
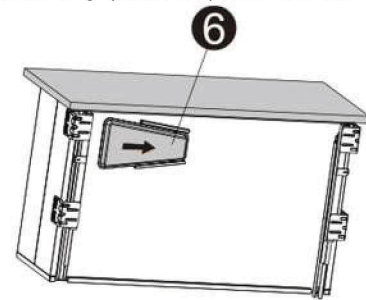
▶▶▶ Installing the baskets

2 Align the basket to the runners mounted to the cabinet. Ensure the basket clip (placed underneath) clasps properly into the sliders



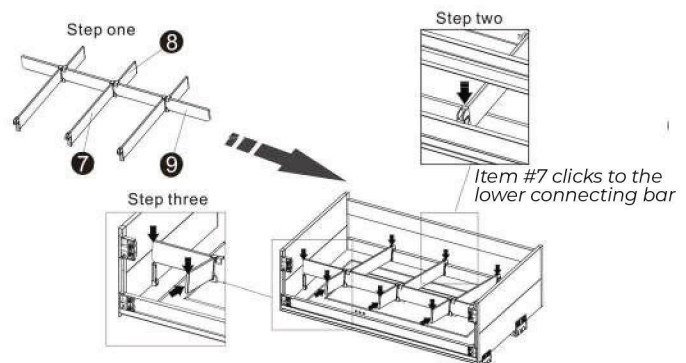
▶▶▶ Installing the drain tray

3 Slide the drain tray (item #6) into the slot underneath the basket



▶▶▶ Assembling the partitions

5 Place the partition walls (item #s 7, 8, 9) into the drawer basket as shown below



▶▶▶ Installing the drain tray

4 Pre-drill 2.5mm holes on the door panel as illustrated.

Attach the door panel to the cabinet using 6 pcs of ST3.5*16mm screws (item #4a). Once secured, place the decorative cover to conceal the screw work (item #5).

