

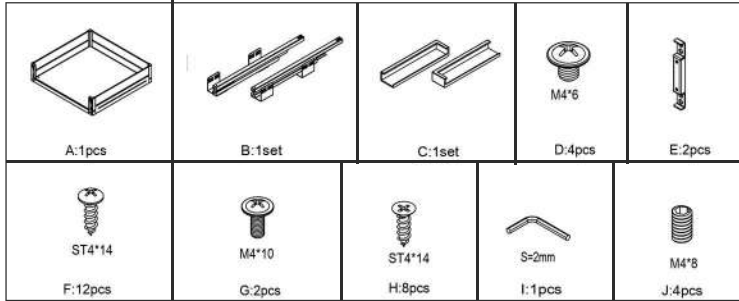
# ELITE Galley Glass Panel Pull-Out Drawer

to suit 450mm or 900mm Cabinets

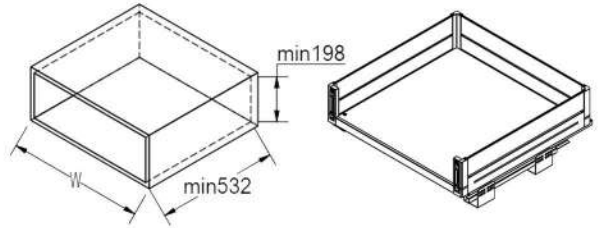
# ELITE®

STORAGE SOLUTIONS

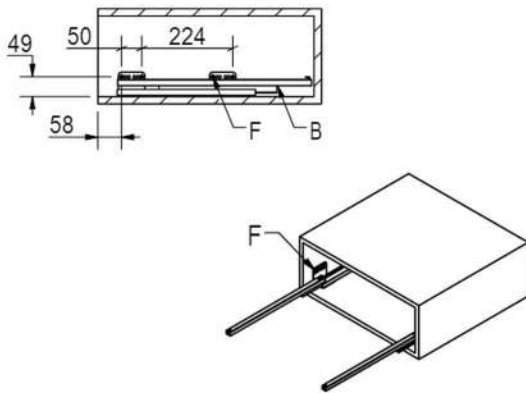
Package inclusions:



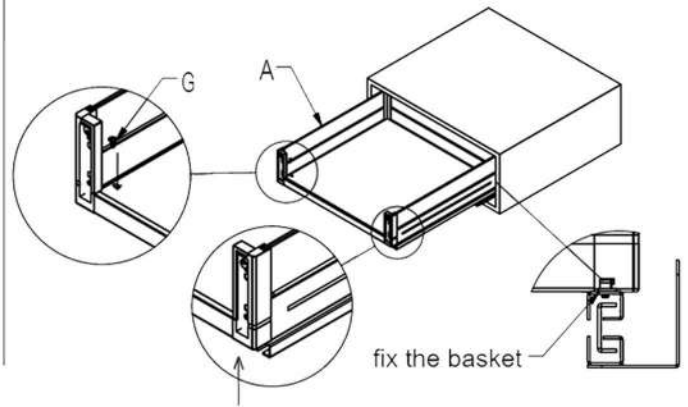
Cabinet Width	Product dimensions
450mm	W334 x H150mm
900mm	W784 x H150mm



**STEP 1:** Install the sliders (B) on both sides of the cabinet base. Secure this by using screw F.



**STEP 2:** Mount the drawer (A) on the sliders, and secure it by using screw G.



**STEP 3:** Install the door mount brackets to the cabinet door. Make sure to follow the measurements to align the bracket to the drawer.

