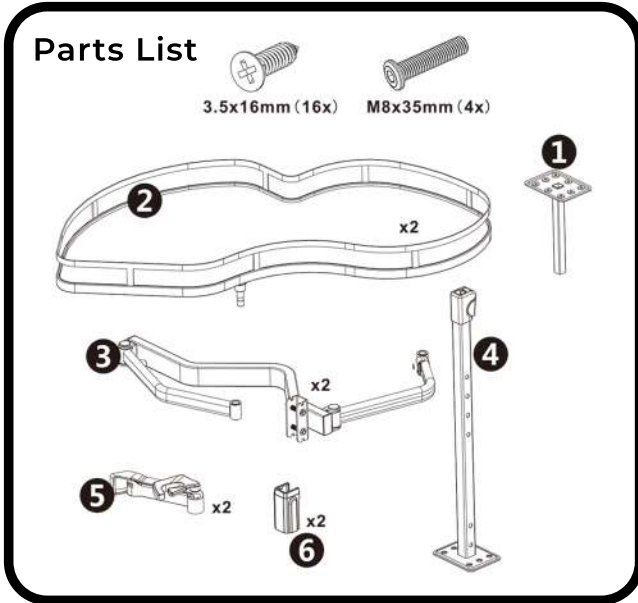
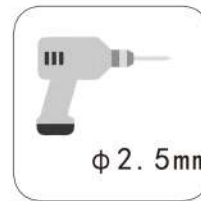


HGSC-S-CFG, HG-101082-1946, HG-101081-1947  
 HGSC-D-CFG, HG-101072-1803, HG-101071-1804  
 HGSC-SR-CFG, HG-101082R-3666, HG-101081R-3665  
 HGSC-DR-CFG, HG-101072R-4082, HG-101071R-4081



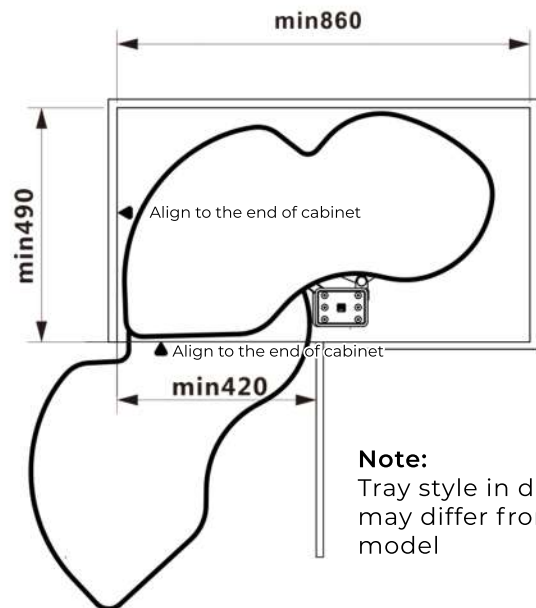
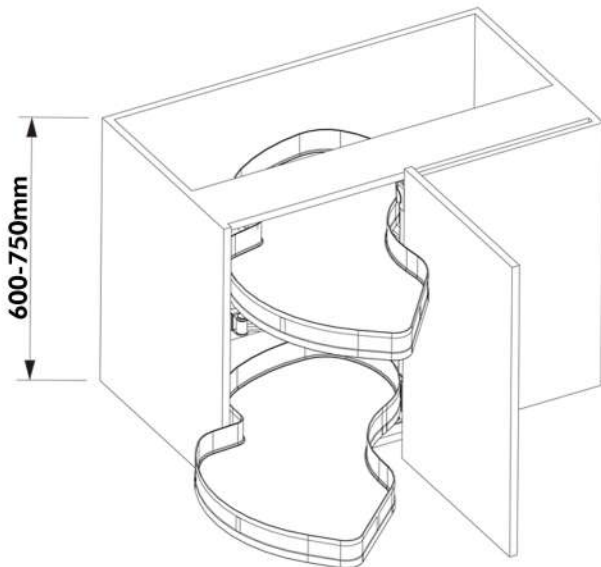
Drilling template included in the box.

**Tools required & NOT provided:**



## Cabinet Requirements

*This installation manual is for left- and right- side opening unit.  
 Recommended cabinet width: 900mm (external)*

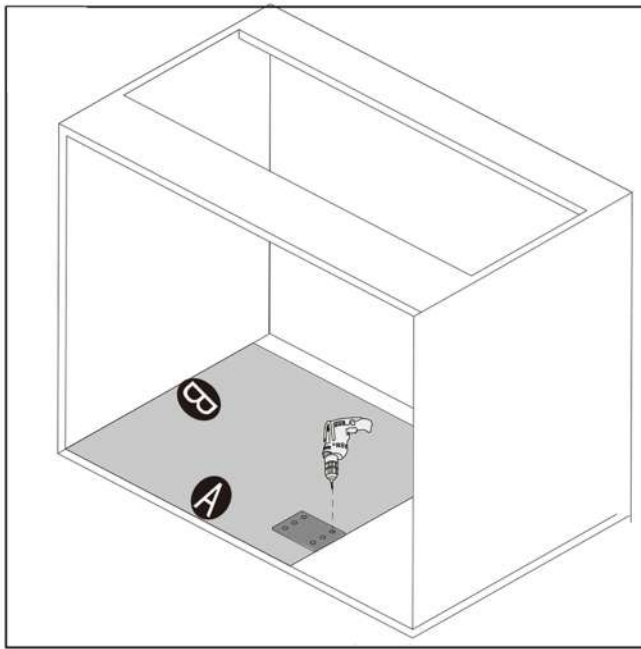


**Note:**  
 Tray style in diagram  
 may differ from your  
 model

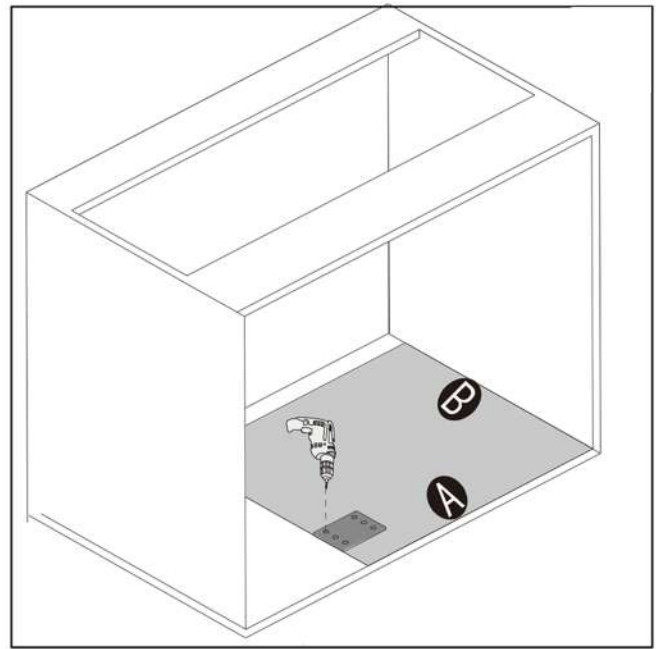
HGSC-S-CFG, HG-101082-1946, HG-101081-1947  
HGSC-D-CFG, HG-101072-1803, HG-101071-1804  
HGSC-SR-CFG, HG-101082R-3666, HG-101081R-3665  
HGSC-DR-CFG, HG-101072R-4082, HG-101071R-4081

#### ▶▶▶ Drilling guide

- 1 Align the template to the cabinet base and pre-drill 6 positioning holes.

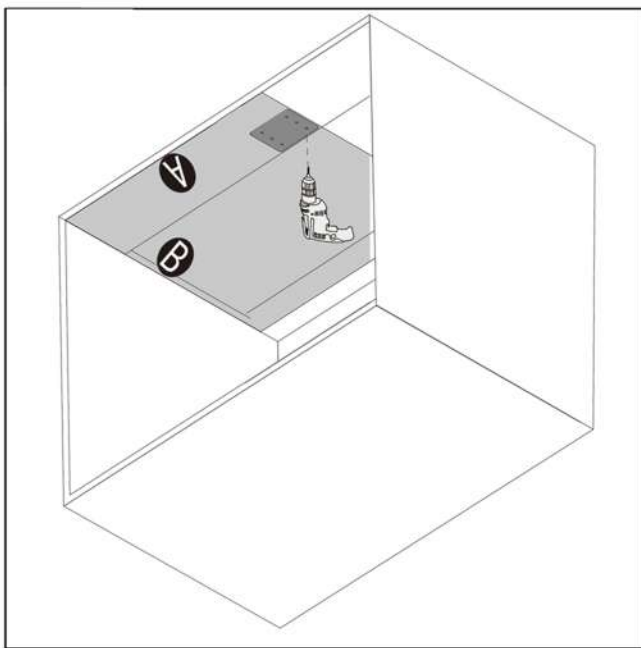


LEFT OPENING

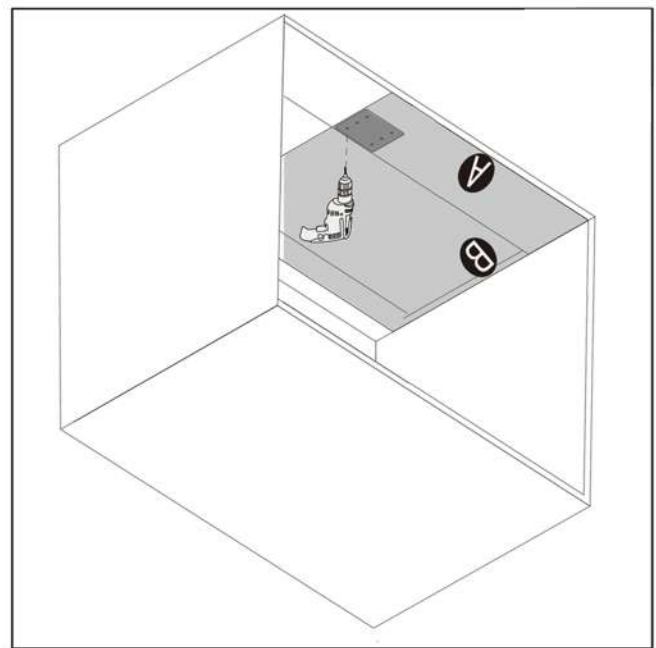


RIGHT OPENING

- 2 Align the template to the cabinet ceiling and pre-drill 6 positioning holes.



LEFT OPENING

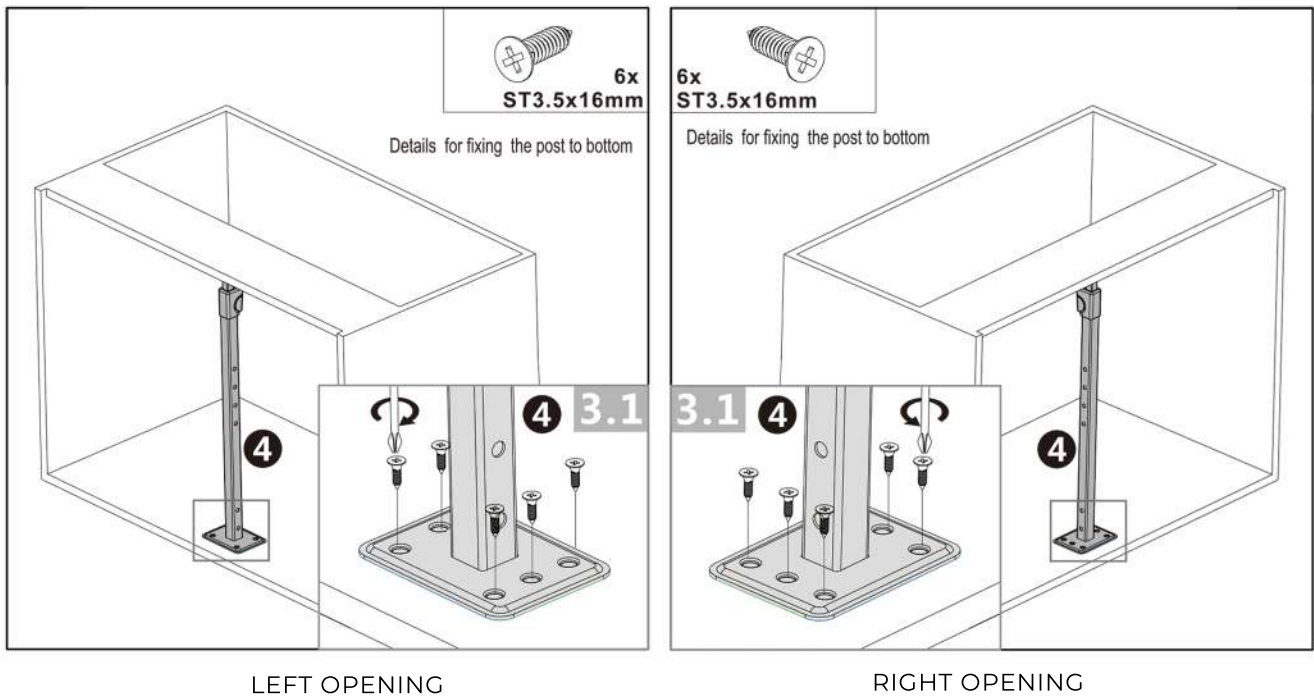


RIGHT OPENING

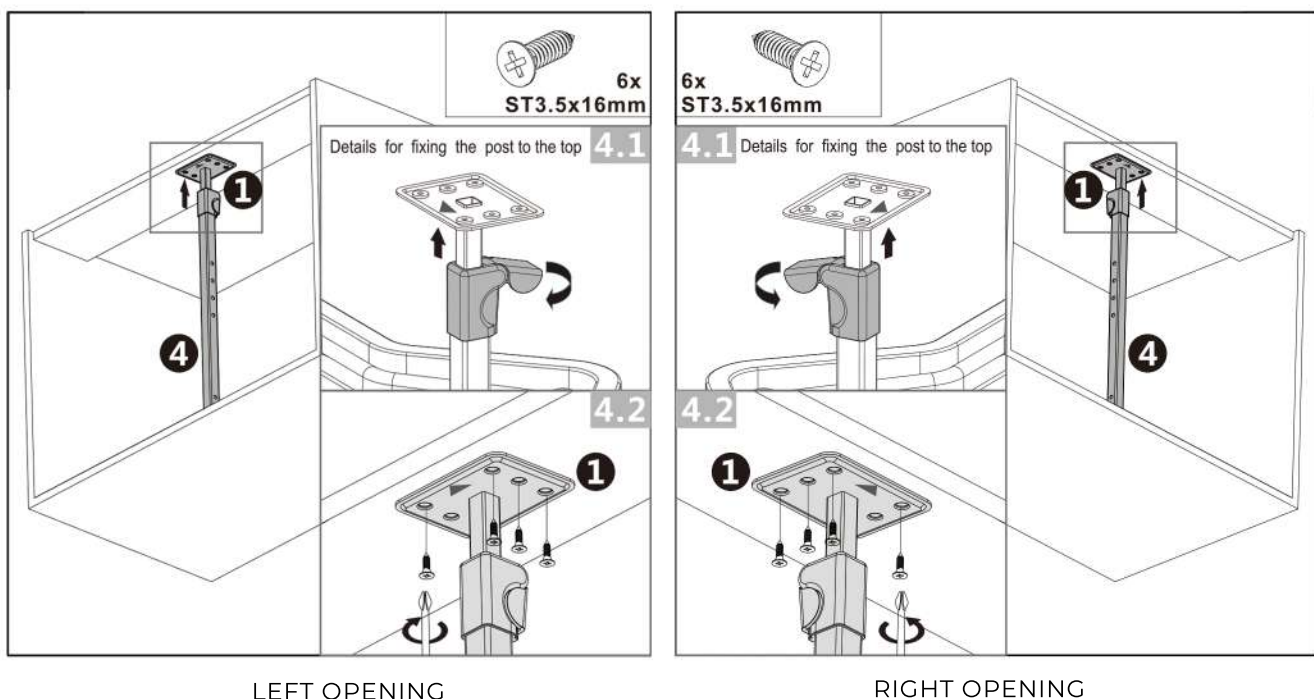
HGSC-S-CFG, HG-101082-1946, HG-101081-1947  
 HGSC-D-CFG, HG-101072-1803, HG-101071-1804  
 HGSC-SR-CFG, HG-101082R-3666, HG-101081R-3665  
 HGSC-DR-CFG, HG-101072R-4082, HG-101071R-4081

#### Installation of pole

- 3** Screw and fix the lower pole to the cabinet base.



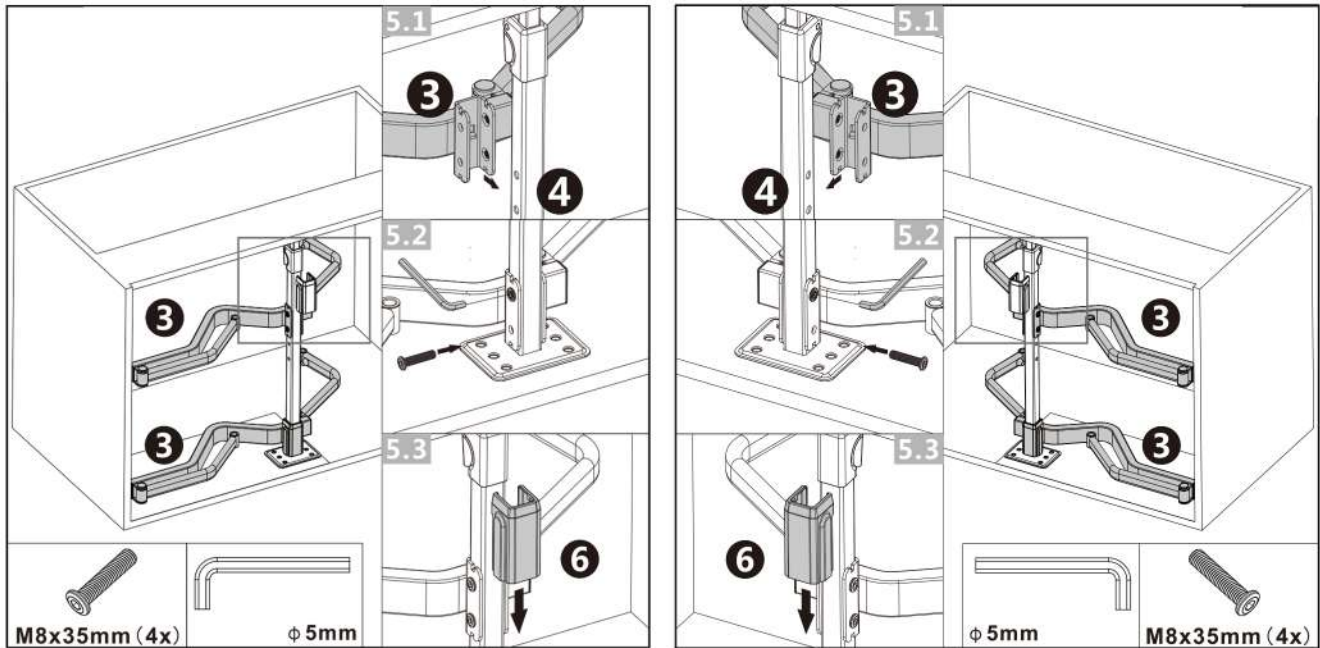
- 4** Insert the upper pole into the lower pole. Then lock according to the cabinet height. Screw and fix the upper pole to the cabinet ceiling.



HGSC-S-CFG, HG-101082-1946, HG-101081-1947  
 HGSC-D-CFG, HG-101072-1803, HG-101071-1804  
 HGSC-SR-CFG, HG-101082R-3666, HG-101081R-3665  
 HGSC-DR-CFG, HG-101072R-4082, HG-101071R-4081

#### Installation of mechanism/arms

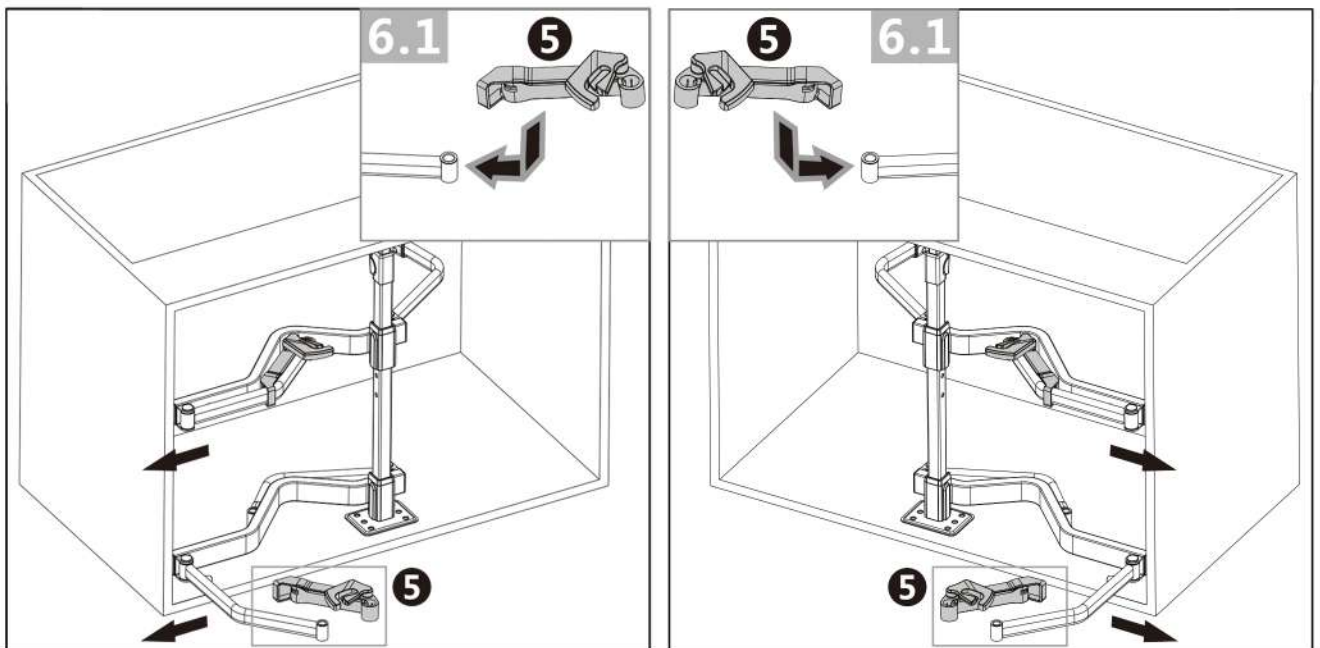
- 5** Align each mechanism to the screw holes (Note: The upper mechanism/arm can be installed according to the desired height). Screw and fix using M8x35mm. Then place the decorative covers.



LEFT OPENING

RIGHT OPENING

- 6** Secure the dampers in position on each end of the mechanism.



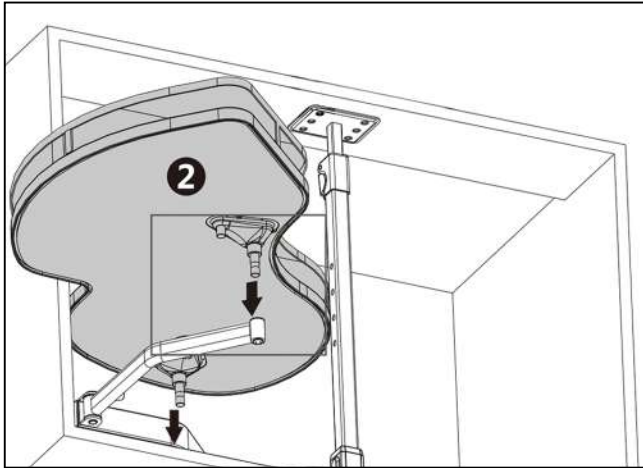
LEFT OPENING

RIGHT OPENING

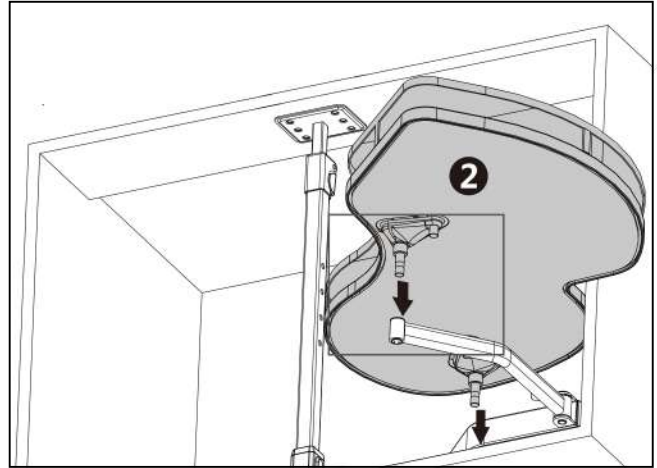
HGSC-S-CFG, HG-101082-1946, HG-101081-1947  
HGSC-D-CFG, HG-101072-1803, HG-101071-1804  
HGSC-SR-CFG, HG-101082R-3666, HG-101081R-3665  
HGSC-DR-CFG, HG-101072R-4082, HG-101071R-4081

#### ►►► Installation of trays

- 7** Screw and fix the supporting base for the trays. See diagram for the correct alignment for each opening. Insert the trays into the mechanism/arm, and place the non-slip pads on each tray.

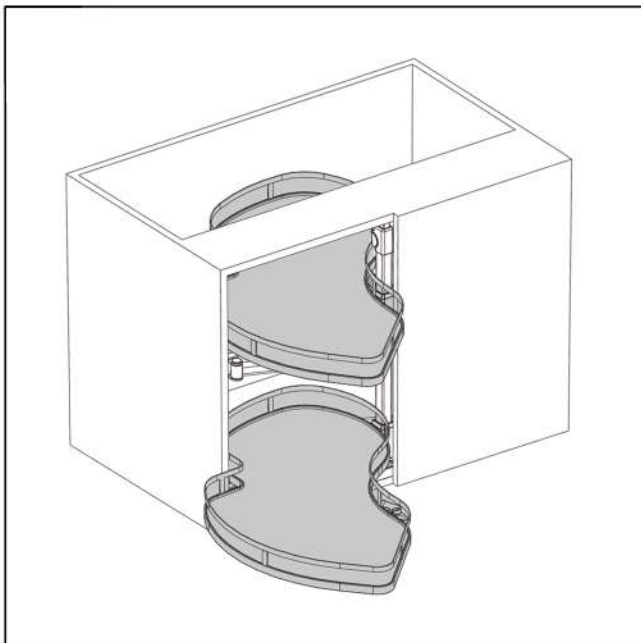


LEFT OPENING

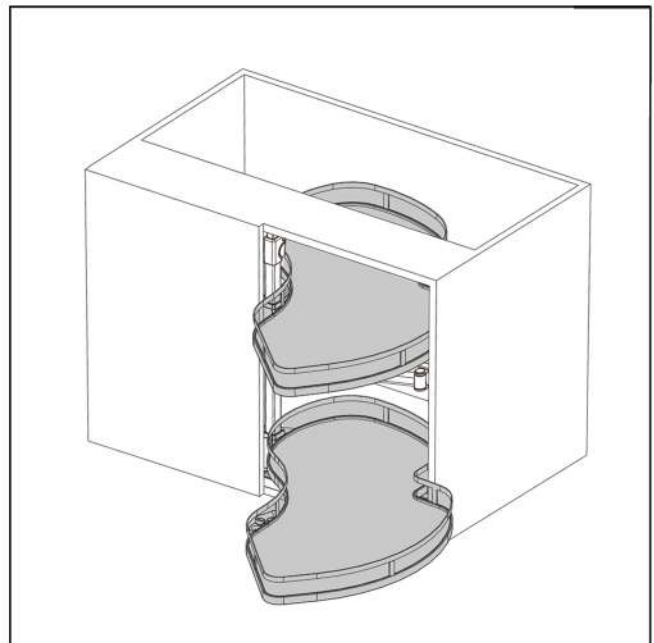


RIGHT OPENING

#### ►►► Installation complete



LEFT OPENING



RIGHT OPENING