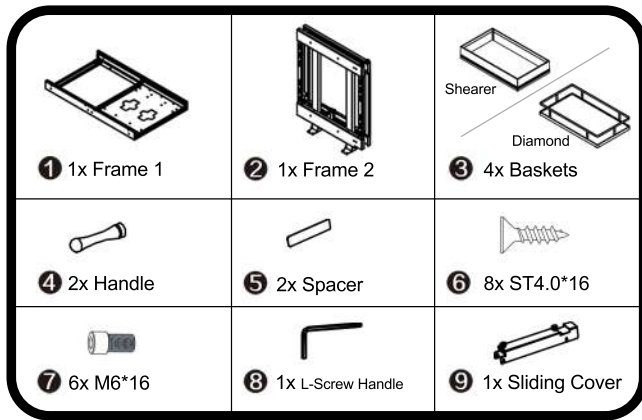


Show Hand Magic Corner for 800-900mm Cabinets

SHEARER & DIAMOND STYLE

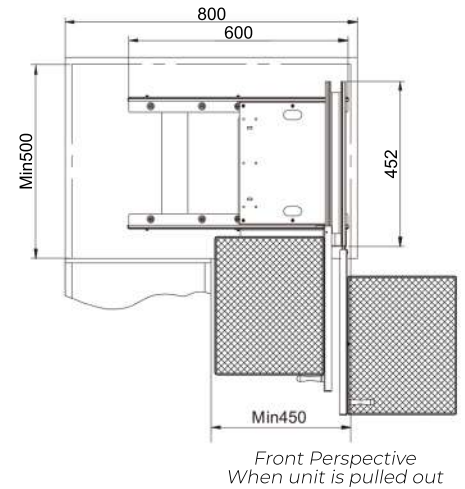
HGMC2-S-CFG, HGMC2-S-2076, HGMC2-SR-CFG, HGMC2-SR-3291
 HGMC2-D-CFG, HGMC2-D-2077, HGMC2-DR-CFG, HGMC2-DR-4258



This installation manual is for right- and left-side opening unit.

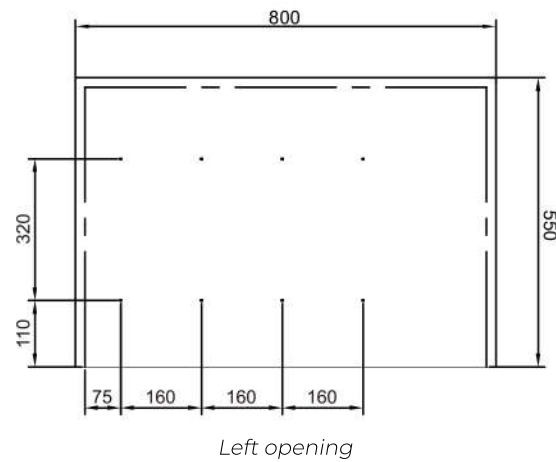
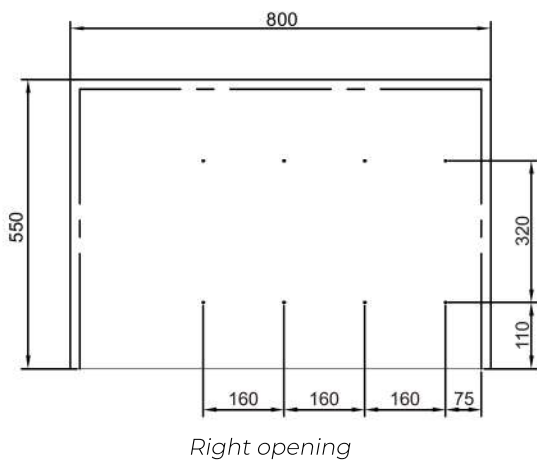
Recommended cabinet width: 800-900mm (external). Flat cabinet hinge is required.

Note:
Basket style in diagram may differ from your model



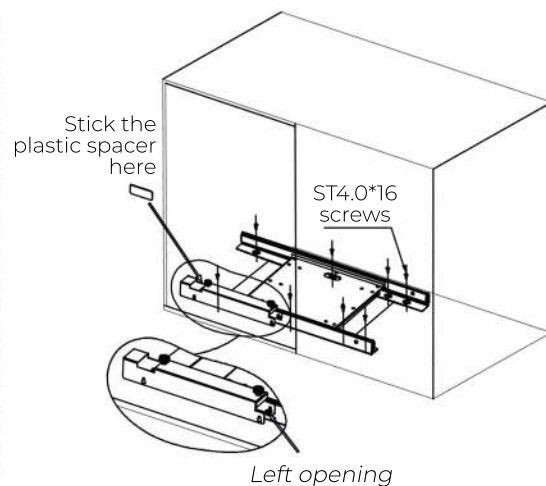
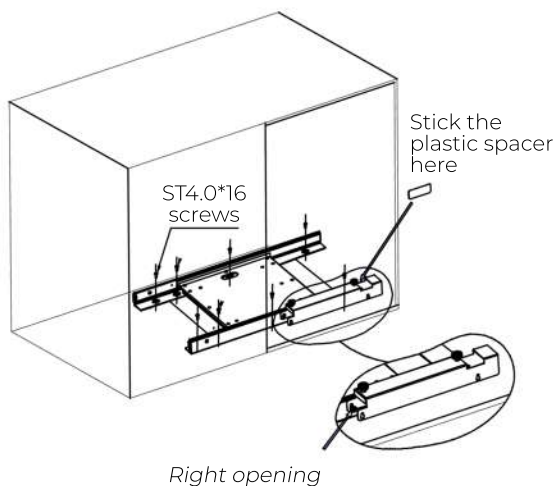
▶▶▶ Drilling guide

1 Drill eight Ø3mm holes into the internal cabinet base.



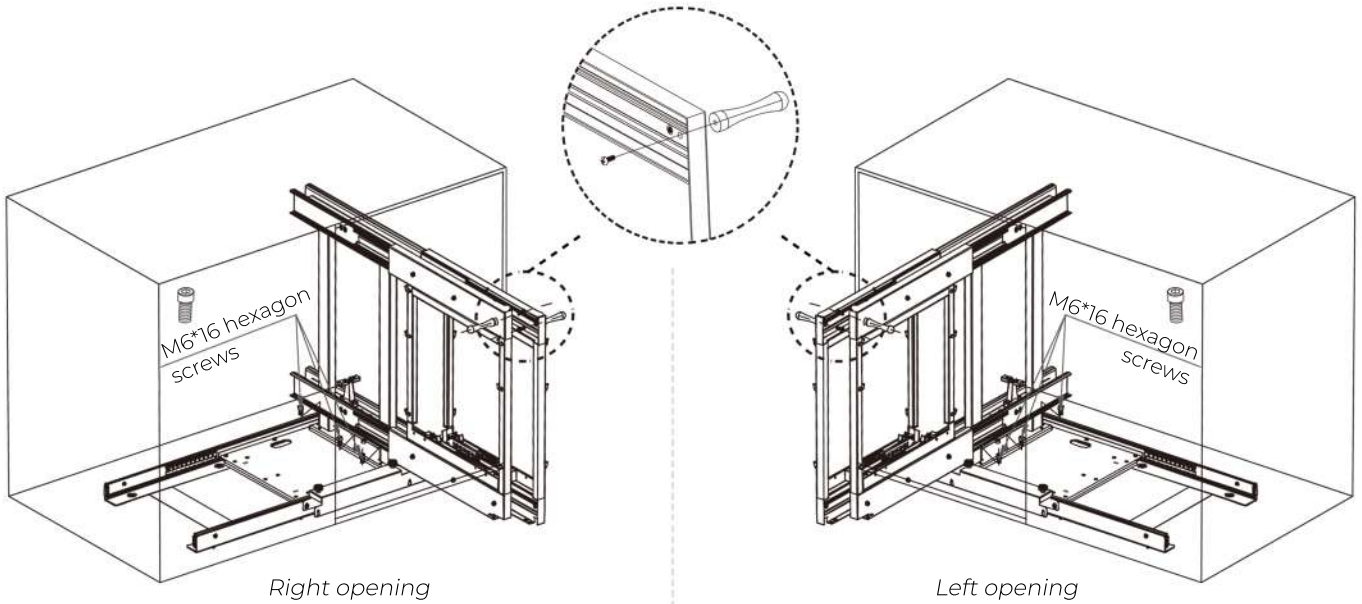
▶▶▶ Installation of frame

2 Affix the base frame using ST4.0*16 screws and place the plastic spacer.



Installation of frame

- 3** Connect the side frame to the base frame using M6*16 screws and affix the basket handles.



Installation of baskets

- 4** Hang and install the baskets to the frame. The integrated hooks in the frame provide two height level options for the baskets.

