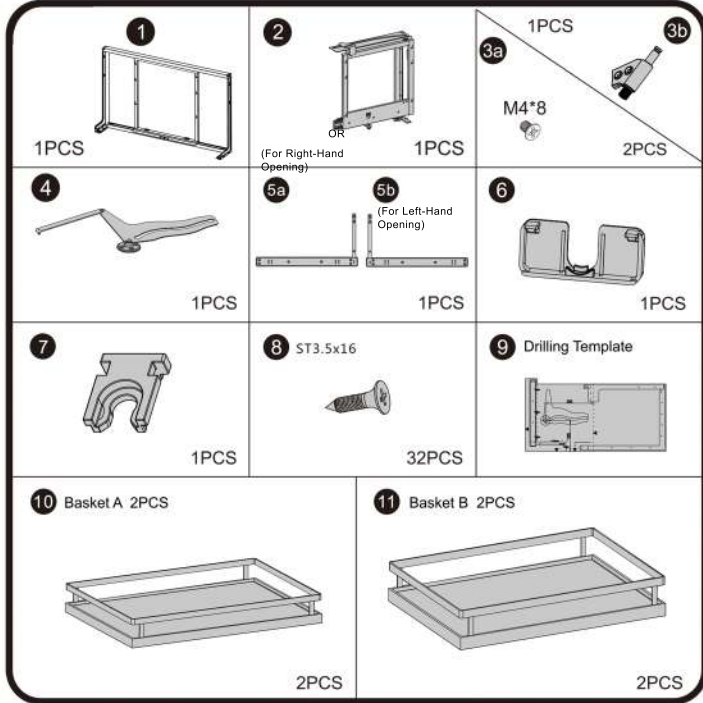


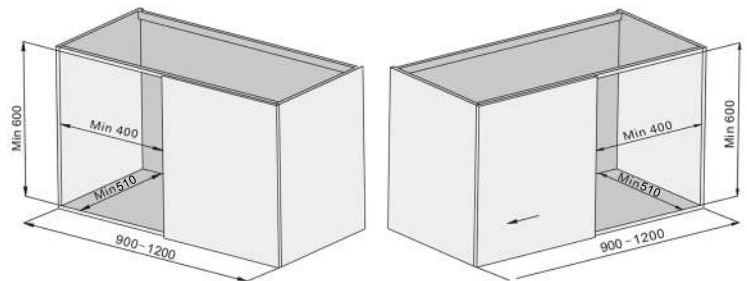
HGMC-S-CFG, HGMC-SLFT-1875, HGMC-SRGT-2073
 HGMC-SR-CFG, HGMC-SRLFT-3289, HGMC-SRRGT-3290
 HGMC-D-CFG, HGMC-DLFT-2074, HGMC-DRGT-2075
 HGMC-DR-CFG, HGMC-DRLFT-4096, HGMC-DRRGT-4097



This installation manual is for right- and left-side opening unit. Ensure your cabinet dimensions are suitable for the product before installation.

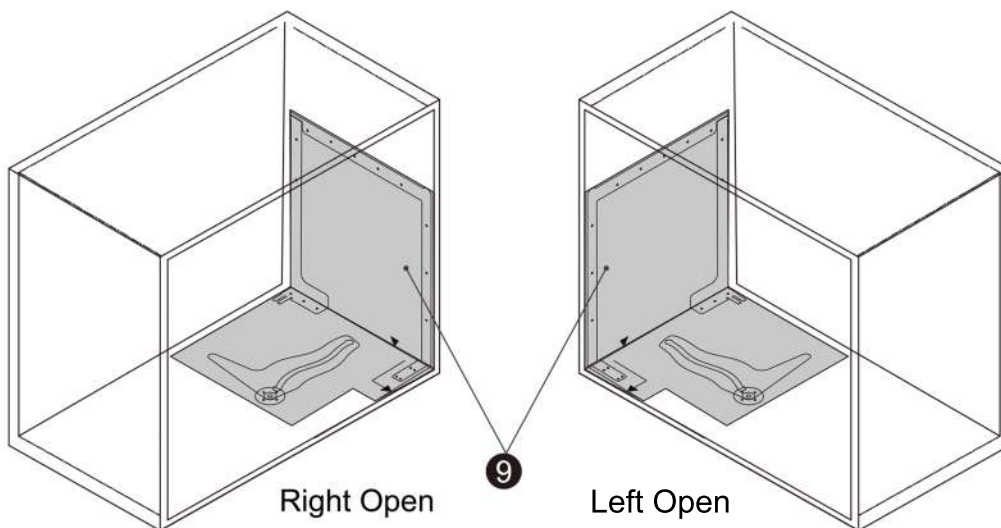
Note: Basket style in diagram may differ from your model

Item Name	Cabinet Width	Product Size
Magic Corner (Left-Hand Opening)	900 mm	860x490x535mm
Magic Corner (Right-Hand Opening)	900 mm	860x490x535mm



▶▶▶ Drilling guide

- 1 Fold the drilling template and align it to the cabinet edge. Drill holes accordingly.



HGMC-S-CFG, HGMC-SLFT-1875, HGMC-SRGT-2073

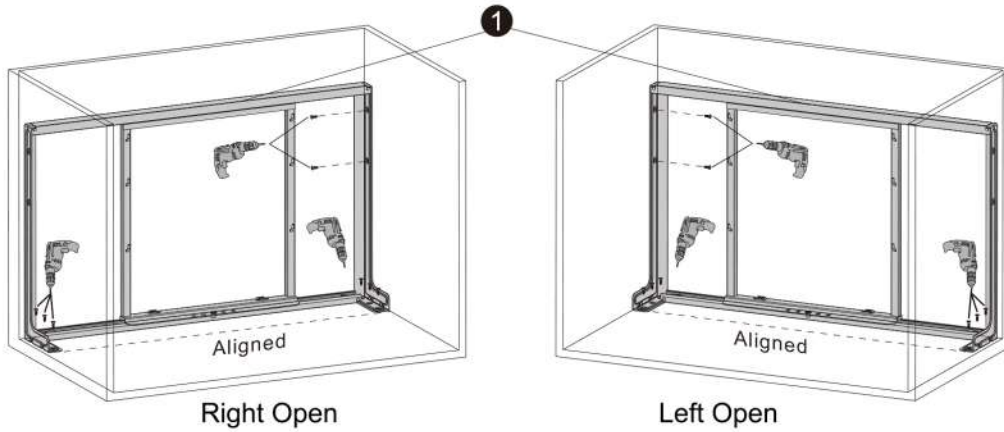
HGMC-SR-CFG, HGMC-SRLFT-3289, HGMC-SRRGT-3290

HGMC-D-CFG, HGMC-DLFT-2074, HGMC-DRGT-2075

HGMC-DR-CFG, HGMC-DRLFT-4096, HGMC-DRRGT-4097

Installation of inner frame

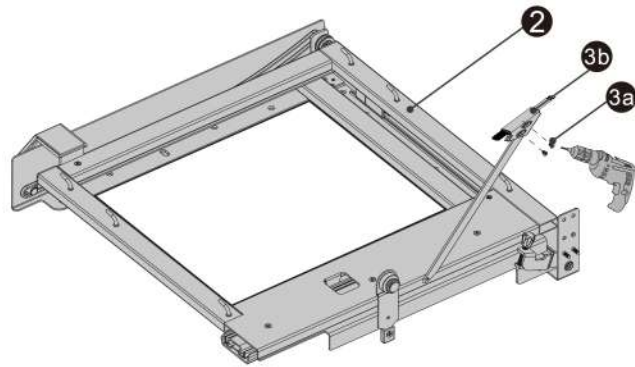
- 2** Affix the inner frame using 8pcs self-tapping ST3.5*16 screws.



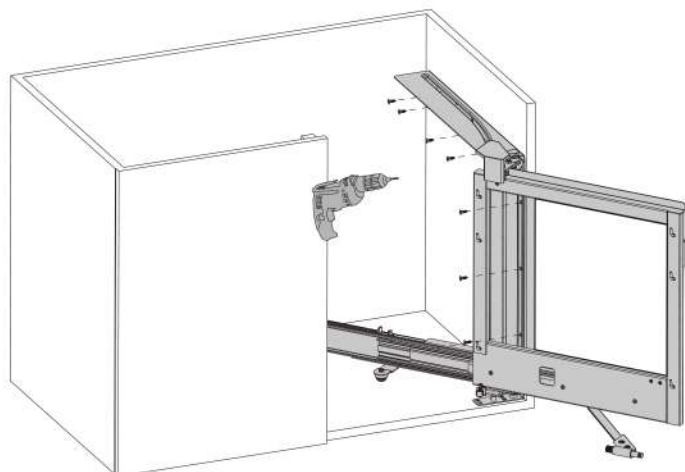
Installation of side swivel frame

- 3** Assemble the side swivel frame and affix to the cabinet.
Note: It should sit right on top of the inner frame.

- 3.1.** Fasten **3b** using 2pcs of M4*8 screws.



- 3.2.** Affix the frame to the side wall of cabinet using 11pcs of ST3.5*16 screws.

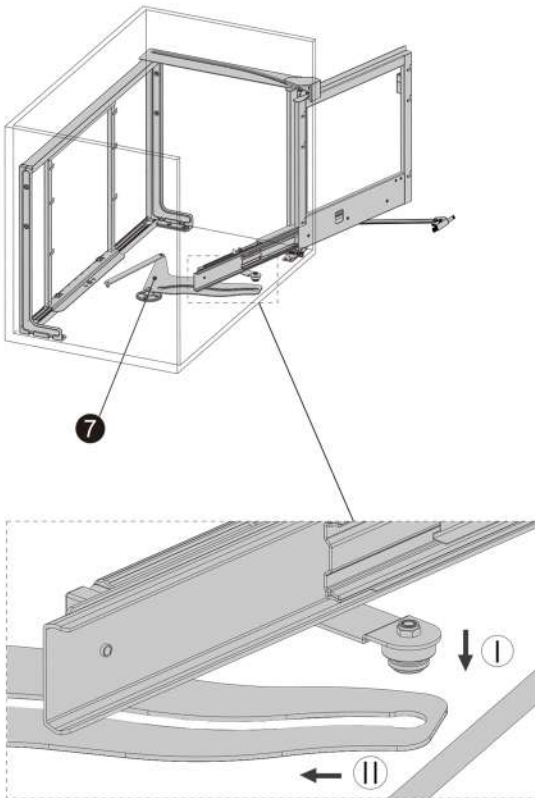


HGMC-S-CFG, HGMC-SLFT-1875, HGMC-SRGT-2073
HGMC-SR-CFG, HGMC-SRLFT-3289, HGMC-SRRGT-3290
HGMC-D-CFG, HGMC-DLFT-2074, HGMC-DRGT-2075
HGMC-DR-CFG, HGMC-DRLFT-4096, HGMC-DRRGT-4097

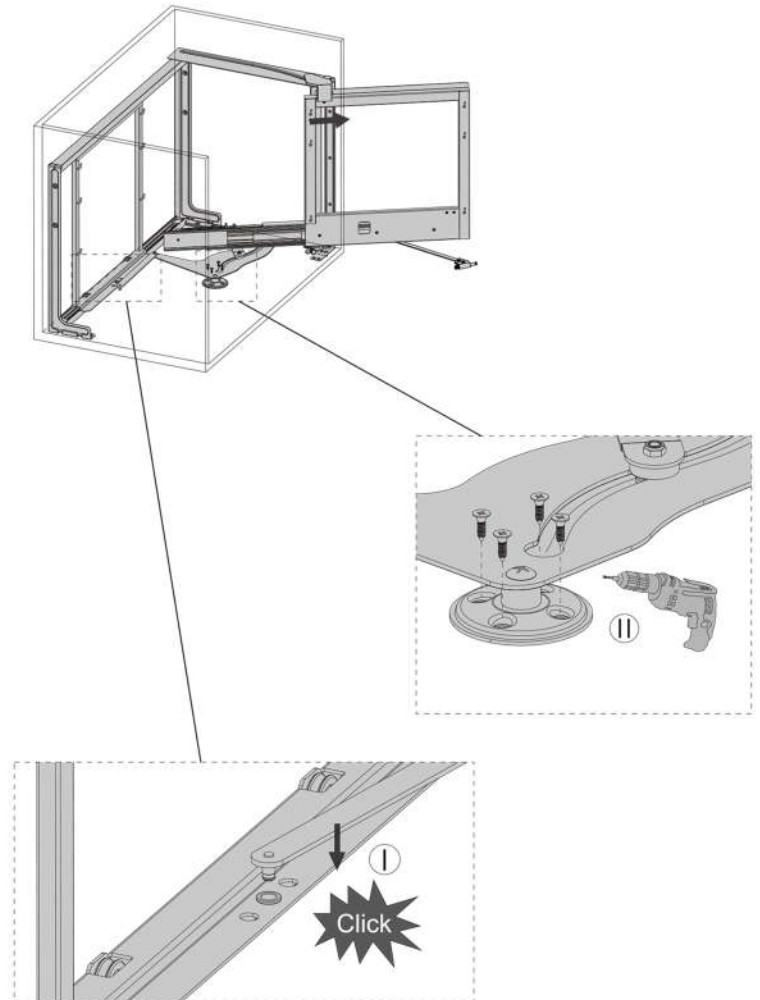
►► Installation of spinning mechanism

4 Connect the spinning mechanism to the side swivel and inner frames.

4.1. Place the spinning mechanism on the cabinet base and insert the roller of the side swivel frame.



4.2. Affix the mechanism using 4 pcs of ST3.5*16 screws. Securely connect the swivel bar to the inner frame.

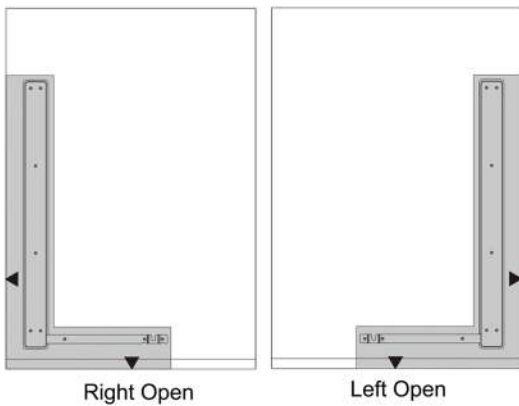


HGMC-S-CFG, HGMC-SLFT-1875, HGMC-SRGT-2073
HGMC-SR-CFG, HGMC-SRLFT-3289, HGMC-SRRGT-3290
HGMC-D-CFG, HGMC-DLFT-2074, HGMC-DRGT-2075
HGMC-DR-CFG, HGMC-DRLFT-4096, HGMC-DRRGT-4097

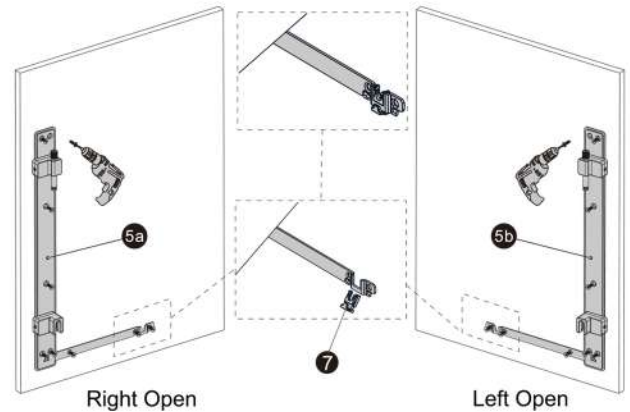
Installation of cabinet door

5 Integrate the unit to the door according to the chosen frame opening.

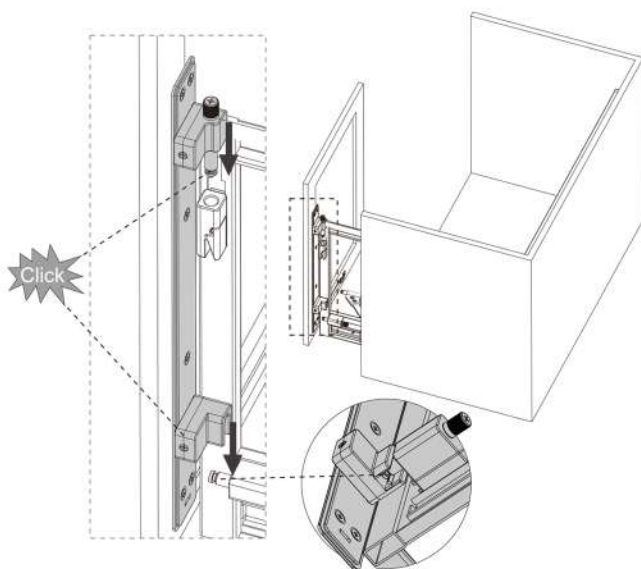
5.1. Drill holes using door panel template.



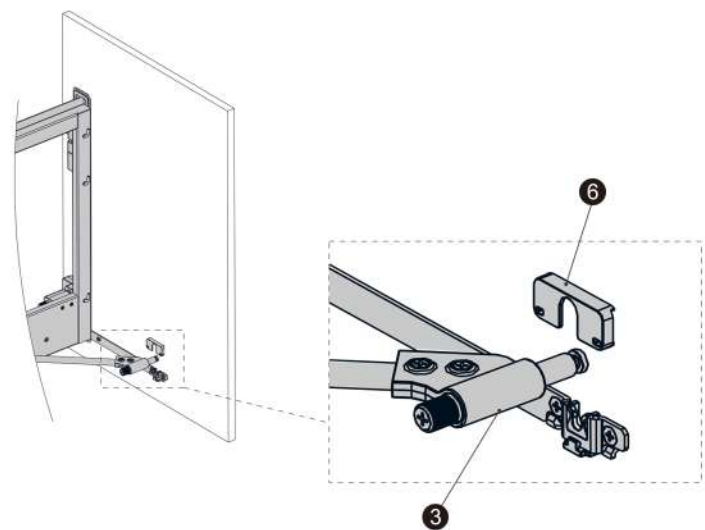
5.2. Affix the door panel using ST3.5*16 screws and place the decorative cover.



5.3. Connect the door panel to the side swivel frame until it clicks.



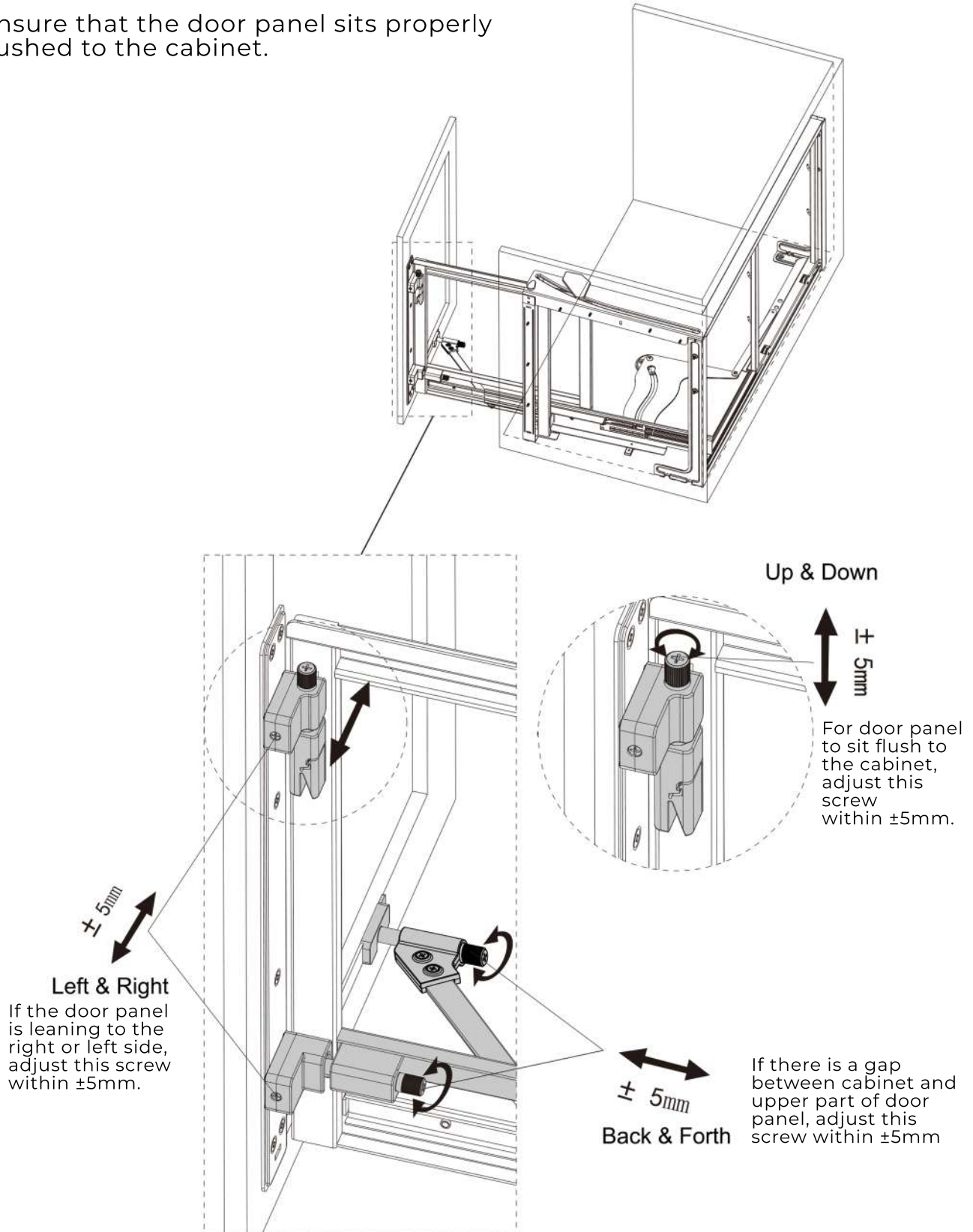
5.4. Connect the swivel bar and place the decorative cover.



HGMC-S-CFG, HGMC-SLFT-1875, HGMC-SRGT-2073
HGMC-SR-CFG, HGMC-SRLFT-3289, HGMC-SRRGT-3290
HGMC-D-CFG, HGMC-DLFT-2074, HGMC-DRGT-2075
HGMC-DR-CFG, HGMC-DRLFT-4096, HGMC-DRRGT-4097

►► Adjustment of door panel

- 6 Ensure that the door panel sits properly flushed to the cabinet.



*HGMC-S-CFG, HGMC-SLFT-1875, HGMC-SRGT-2073
HGMC-SR-CFG, HGMC-SRLFT-3289, HGMC-SRRGT-3290
HGMC-D-CFG, HGMC-DLFT-2074, HGMC-DRGT-2075
HGMC-DR-CFG, HGMC-DRLFT-4096, HGMC-DRRGT-4097*

►► Installation of baskets

- 7 Hang the baskets on the frame.
Each basket can be installed in two height levels.

