

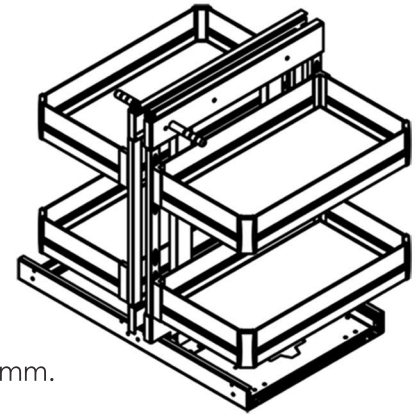
# ELITE Show Hand Magic Corner II Pull Out Kitchen Corner Storage

Larder, Nero, and Galley Baskets



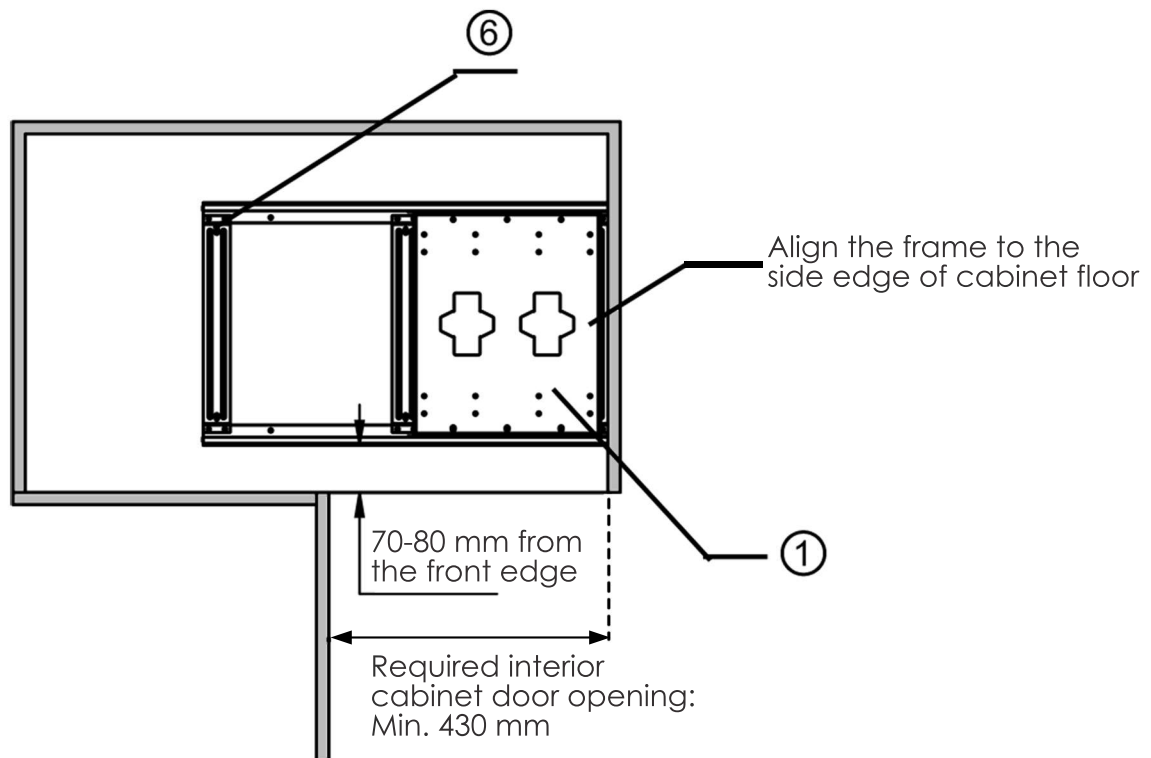
## Package Inclusions

① Base Frame 1pcs		② Vertical Frame 1pcs		③ Basket (different types are optional) 4pcs	
④ Handle 2pcs	⑤ M5*18 2pcs	⑥ ST4*14 6pcs	⑦ M6*10 8pcs	 Recommended cabinet size: 800-900mm. Flat cabinet hinge may be required for installed baskets to be pulled out.	



### STEP 1

Fix base frame ① with 6pcs of ST4\*14 screws ⑥ as shown below. The illustration below is for a right-opening cabinet. For left-opening cabinets, turn the base frame to its opposite.



# ELITE Show Hand Magic Corner II Pull Out Kitchen Corner Storage

Larder, Nero, and Galley Baskets

**ELITE**<sup>®</sup>  
STORAGE SOLUTIONS

## STEP 2

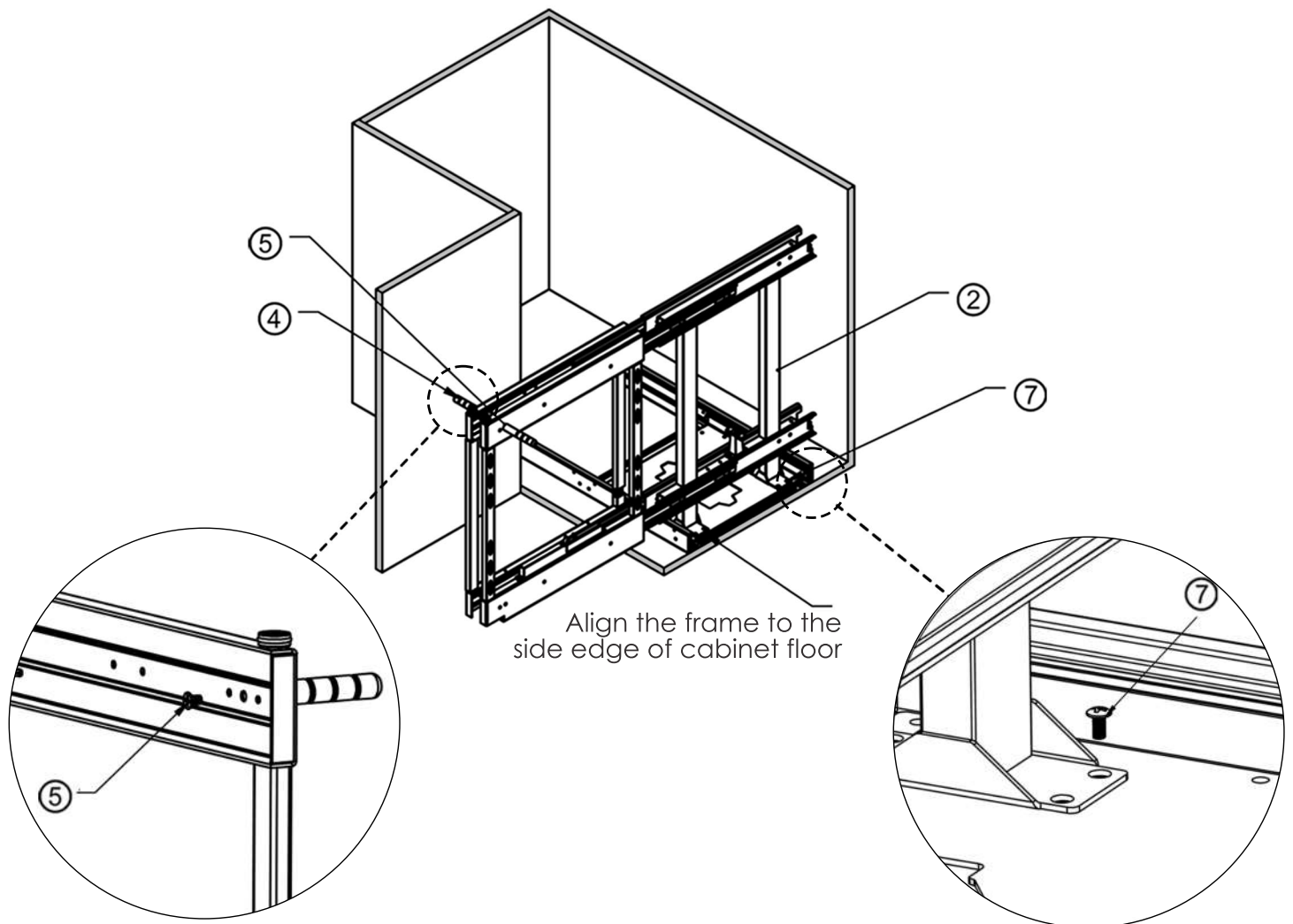
Fix the vertical frame ② into the base frame ① with 8pcs of M6\*10 screws ⑦.

## STEP 3

Draw out vertical frame ② and lock the handles ④ with 2pcs of M5\*18 screws ⑤.

The illustration below is for a right-opening cabinet.

For a left-opening cabinet, it is the same process but on the opposite side.



# ELITE Show Hand Magic Corner II Pull Out Kitchen Corner Storage

Larder, Nero, and Galley Baskets

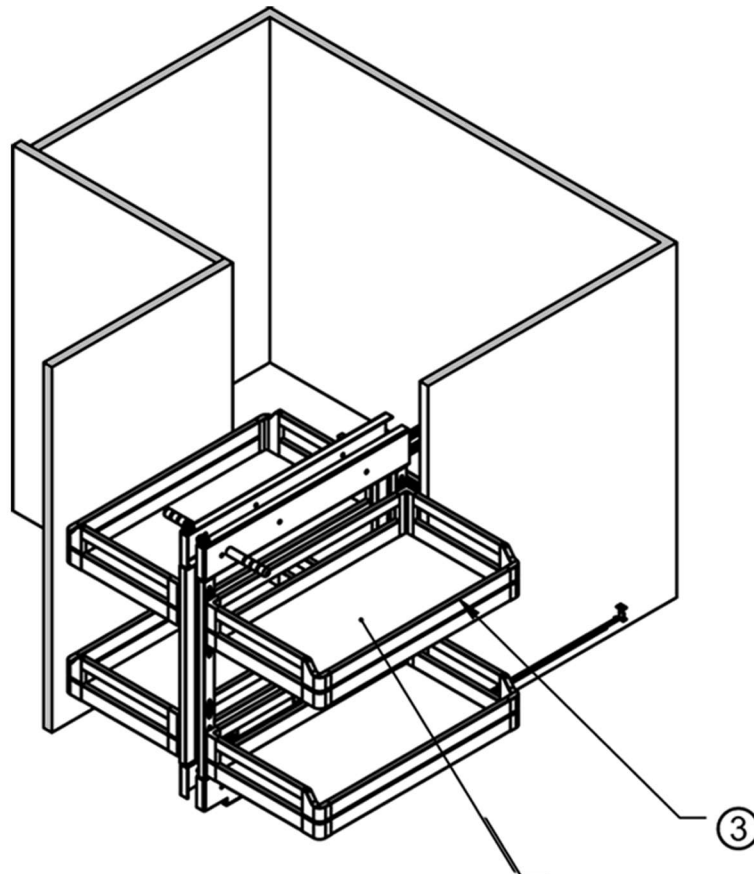


## STEP 4

Install the baskets securely.

The illustration below is for a right-opening cabinet.

For a left-opening cabinet, it is the same process but on the opposite side.



Loading capacity of each basket is 5KG