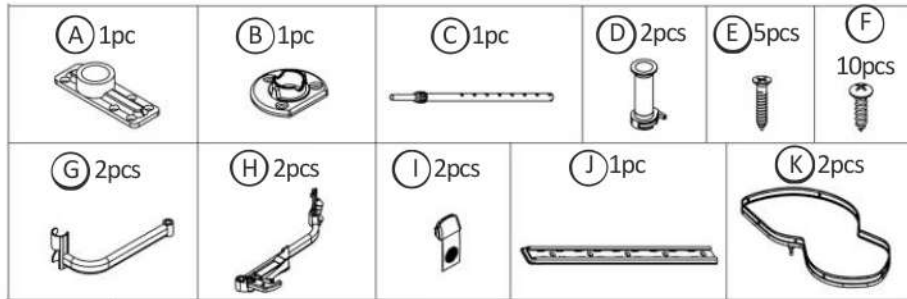


ELITE Provedore Swing Out Kitchen Corner Storage

Left or Right Side Opening

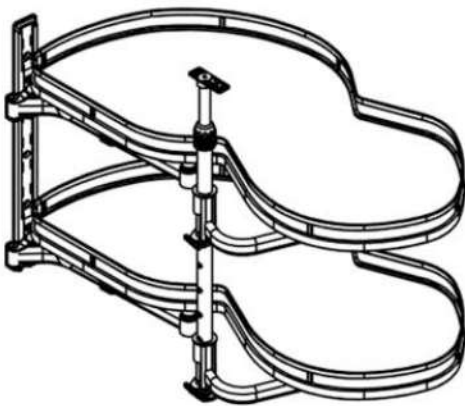


Package Inclusions

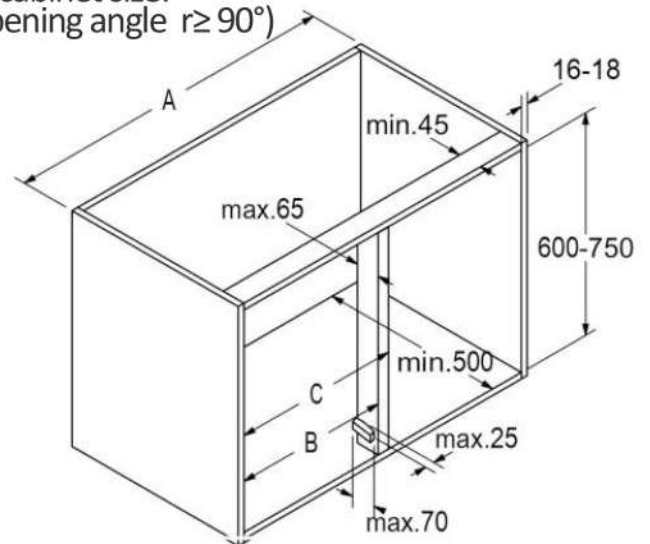


This instruction is for the left-side opening unit. Right side is symmetrical

Recommended cabinet width: 900mm
Internal cabinet height: 600mm

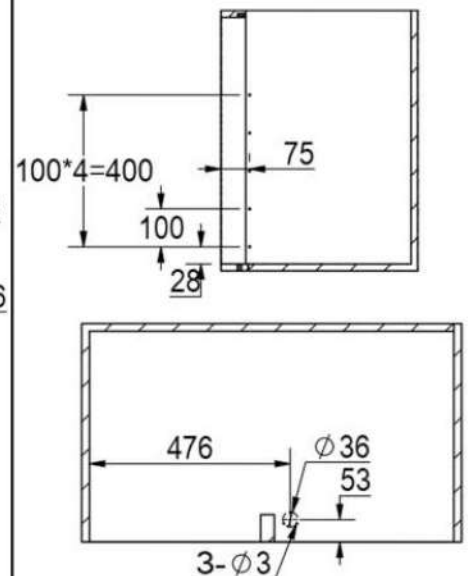
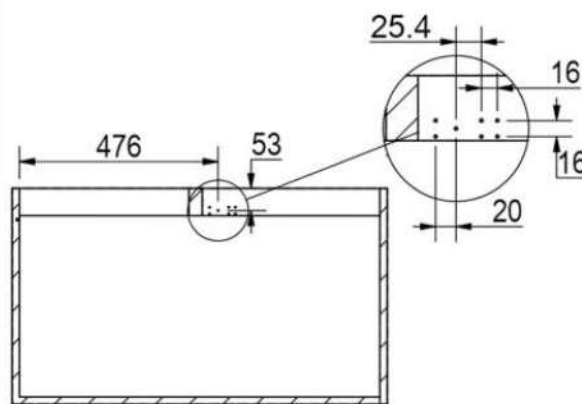
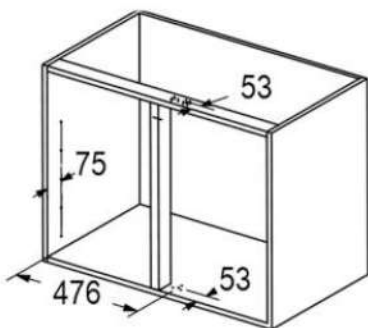


Suitable cabinet size:
(Door opening angle $r \geq 90^\circ$)



Punch holes as illustrated below:

Size	A	B	C
Door.W	900	411-418	Max450

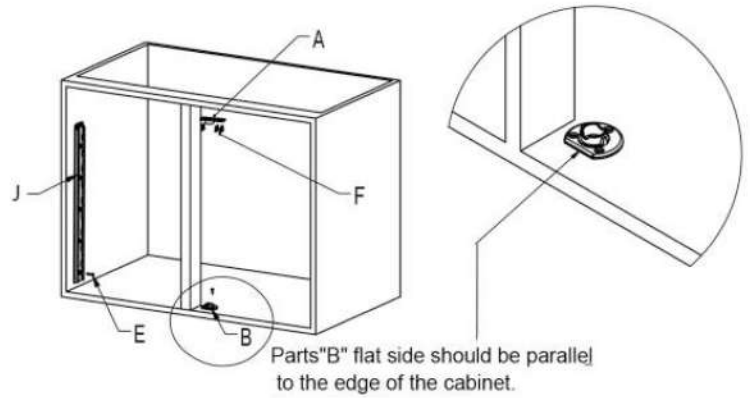


ELITE Provadore Swing Out Kitchen Corner Storage

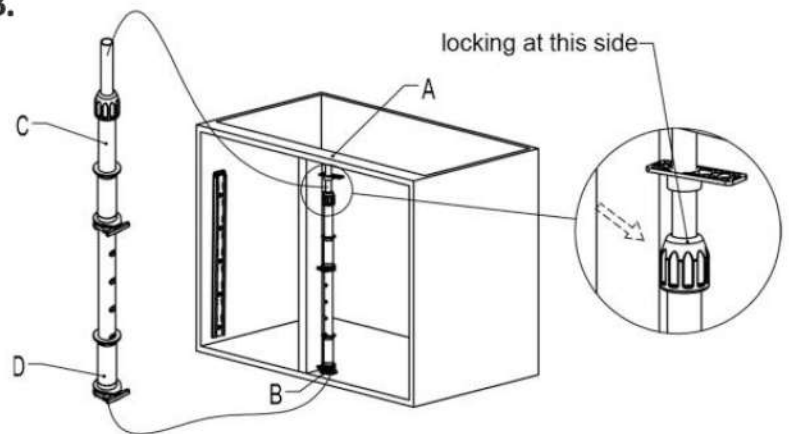
Left or Right Side Opening

ELITE[®]
STORAGE SOLUTIONS

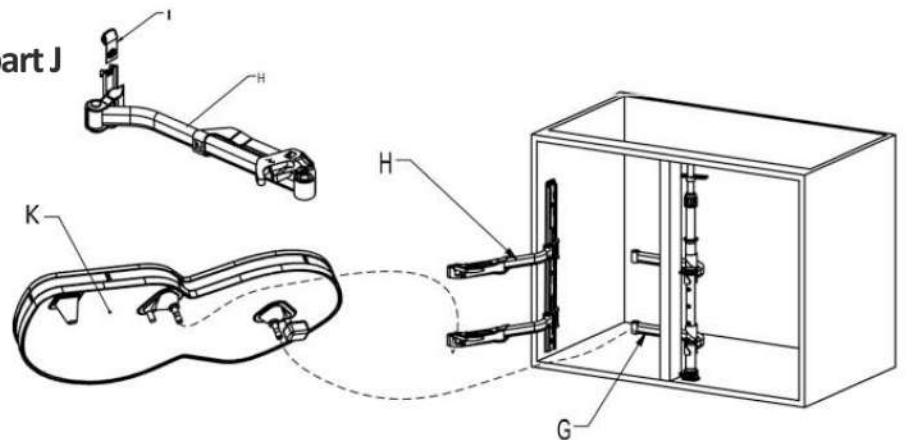
Fix part I with screw E. Fix part A to top
and part B to bottom with screw F



Fix part D into part C, then insert it into part B.
Adjust part C to suitable height and lock it



Place part I into H then mount into part J
Mount part G into part D
Install the baskets (K) as shown



Installation complete

